

Follow these instructions to install a 5K Lock. Procedures one and two below are necessary only for doors that have not yet been prepared according to the door preparation standard ANSI A115.2.

1 Mark door (if necessary)

- 1 Cut out the door drilling template from the back of this instruction and fold and place it in position on the high edge of the door bevel. See Figure 1.

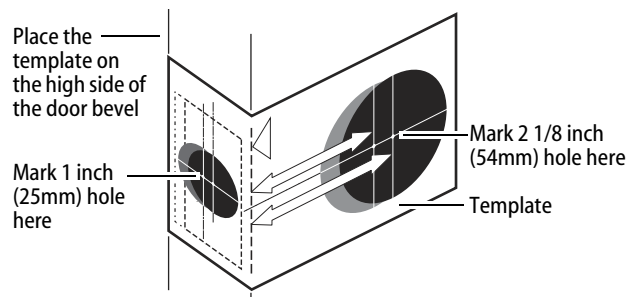


Figure 1 Marking the door with the door template

- 2 Follow the instructions on the template and mark the drill points.
Note: Suggested height from floor to centerline of the lock is 40 5/16" (1.024 m). If steel frames are used, the latch centerline must be in line with the center of the strike preparation.

2 Bore holes (if necessary)

- 1 Bore a 2 1/8" (54mm) diameter hole from both sides of the door to the center of the door.
- 2 Drill a 1" (25mm) diameter hole from the edge of the door that intersects the 2 1/8" hole.

3 Install latch

- 1 Expand or collapse the latch to match the backset of the door. See Figure 2.

Note: The latch comes from the factory ready for a 2 3/8" backset door preparation.

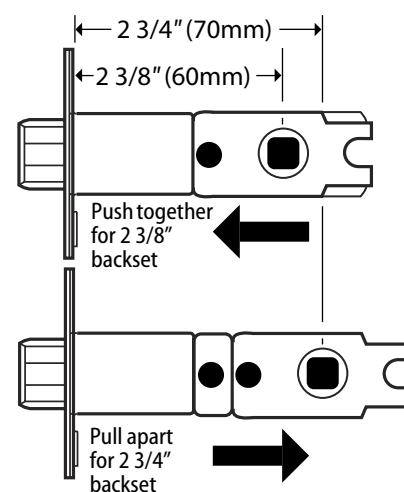


Figure 2 Adjusting the latch to the proper backset

- 2 Temporarily install the latch and mark the outline of the latch face, then remove. Mortise the door edge for the latch face.

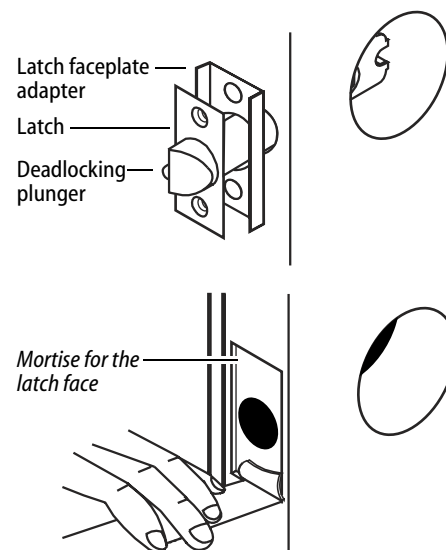


Figure 3 Installing the latch

Note: If the door has been prepared for a 1 1/8" latch face width (common on 1 3/4" thick doors), use the latch faceplate adapter. See Figure 3.

- 3 Install the latch (and latch faceplate adapter if required) with the screws provided. Check the door swing.

4 Install strike

- 1 If needed, use the template to find centerlines and drill points to mortise the door jamb and fit the strike box and strike plate. See Figure 4.

Caution: The deadlocking plunger of the latchbolt must not enter the strike plate. See Figure 3. The plunger deadlocks the latchbolt and prevents forcing the latch when the door is closed. Excessive gap may reduce security and/or cause malfunction of the latchbolt assembly. A maximum door gap of 1/8" (3mm) is recommended.

- 2 Install the strike box and secure the strike plate with the screws provided.
- 3 If needed adjust the strike tang to eliminate a loose fit between the door and the door stop.

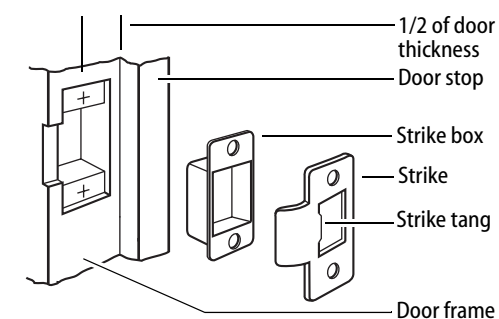


Figure 4 Installing the strike

5 Install outside lever and spindle

- 1 Insert the lever and spindle assembly into the 2 1/8" (63mm) hole as shown in Figure 5.

Note 1: Non-interchangeable cylinders only: Remove the key before installing the outside lever and spindle assembly.

Note 2: Make sure that the spindle inside the square shaft is in the horizontal position and that the outside lever can turn freely.

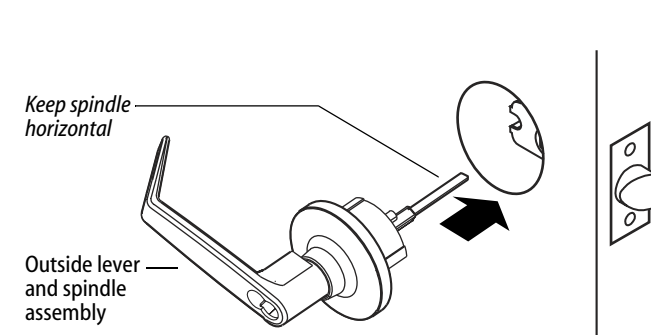


Figure 5 Installing the outside lever and spindle – interchangeable core version shown

6 Remove inside lever and trim

- 1 Insert the pick tool into the lever keeper hole and depress the keeper. Slide the lever off. See Figure 6.

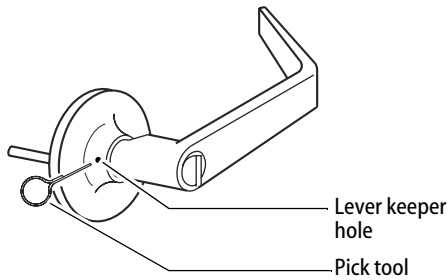


Figure 6 Removing the inside lever

- 2 Holding the inside rose assembly as shown in Figure 7, remove the rose from the rose liner.

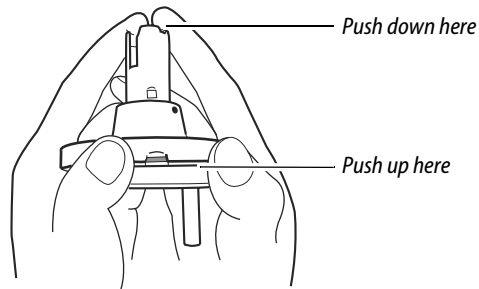


Figure 7 Removing the inside rose from the liner

7 Install inside lever assembly

- 1 Mount the inside rose liner and sleeve assembly by screwing the two screws into the outside studs as shown in Figure 8.

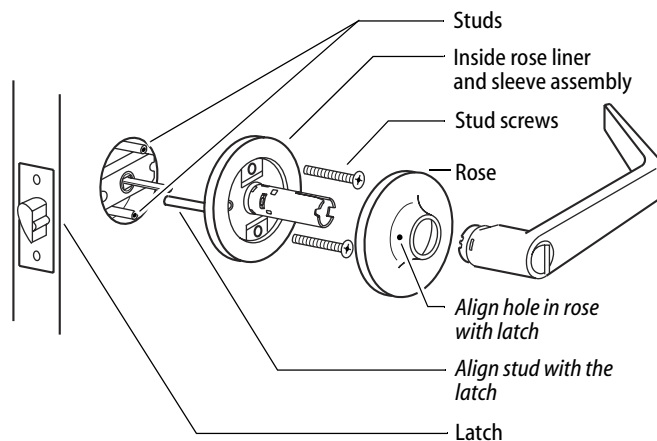


Figure 8 Installing the inside rose and sleeve assembly with screws

- 2 Align the hole in the rose with the latch as shown and push the rose onto the rose liner. Make sure that the rose fits snugly.
- 3 Push the inside lever onto the sleeve until it snaps in place.

8 Install key-in-knob cylinder or interchangeable (IC) core

For key-in-knob cylinders (non-interchangeable cores)

- 1 Remove the outside lever. Do this by turning the lever down, depressing the exposed lever keeper with the pick tool and then pulling the lever off. See Figure 9.

Tip: Putting the pick tool on like you would a ring and then using it may make removing the handle easier. This frees your fingers to grasp the handle.

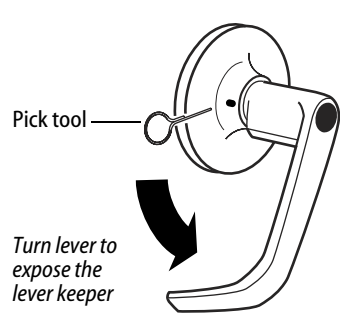


Figure 9 Removing the outside non-IC lever

- 2 Remove the lever insert.
- 3 Disassemble the key-in-knob cylinder.
- 4 Discard the nut that is removed from the cylinder and use the nut that comes with the cap and end caps. **You must use the correct nut for the cylinder to operate properly.** See Figure 10.
- 5 Assemble the key-in-knob cylinder as shown in Figure 10.

Tip: Push down on the end cap while screwing the nut on.

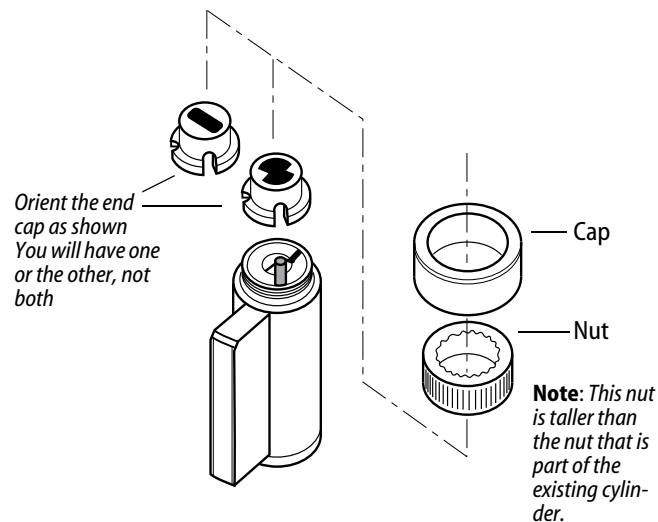


Figure 10 Assembling the key-in-knob cylinder

- 6 Install the cylinder into the lever.
- 7 Reinstall the lever insert.
- 8 Reinstall the lever. Make sure that the key is in the horizontal position.

For interchangeable cores

- 1 Insert the throw member into the back of the core. See Figure 11.

Note: Use the 6-pin spacer spring only with 6-pin cores.

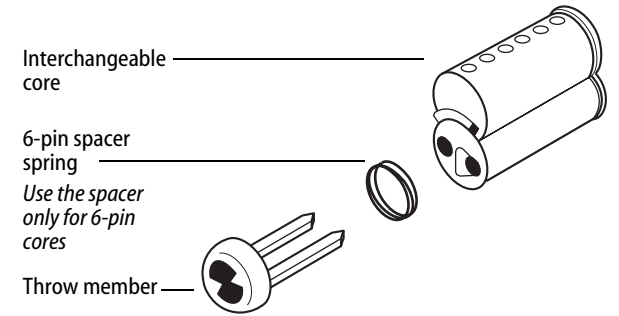


Figure 11 Assembling the interchangeable core and throw member

- 2 Put the control key into the core and turn the key 15 degrees clockwise.
- 3 Put the core and throw member into the lever with the control key.
- 4 Turn the key 15 degrees counterclockwise and remove the key.

Caution: Since the control key is a high-security key, make sure to keep it protected.

9 Check lock operation

To unlock with key

- Insert an operating key into the lock and turn the key counterclockwise.

To lock with key

- Insert an operating key into the lock and turn the key clockwise.

