



Installation Instructions for 6K Dummy Trim

Overview

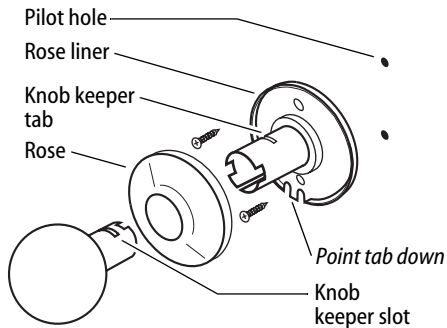


Figure 1 – Overview diagram

1 Prepare door

- 1 Place the template on the door at the appropriate height and tape it to the door.

Note: *The suggested height from floor to centerline of the lock is 40 5/16 inches.*

- 2 Mark and drill two pilot holes if necessary.

2 Disassemble trim

- 1 Using a screwdriver, depress the knob keeper tab and pull the knob off the sleeve.
- 2 Pry the rose off the rose liner.

3 Install dummy trim

- 1 Mount the rose liner onto the door using the screws that are provided. Make sure that the tab on the rose liner points down. See Figure 1.
- 2 Press the rose onto the rose liner.
- 3 Aligning the knob keeper slot with the knob keeper tab, press the knob onto the sleeve until it snaps into place.