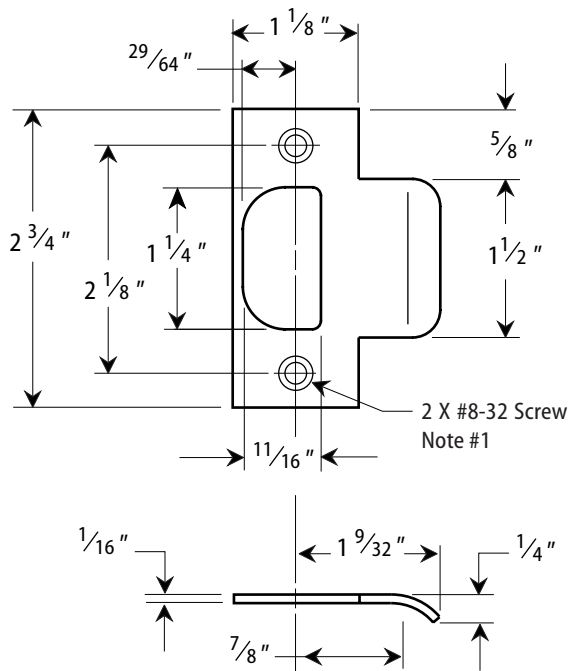
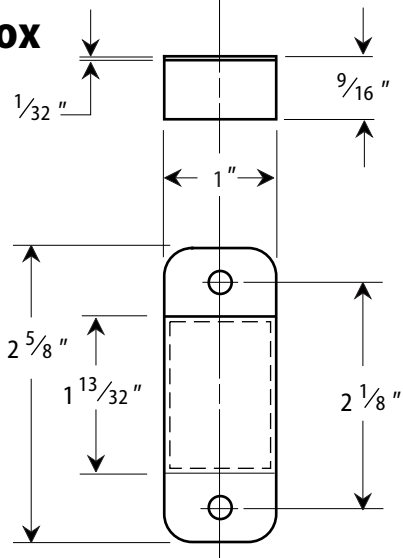


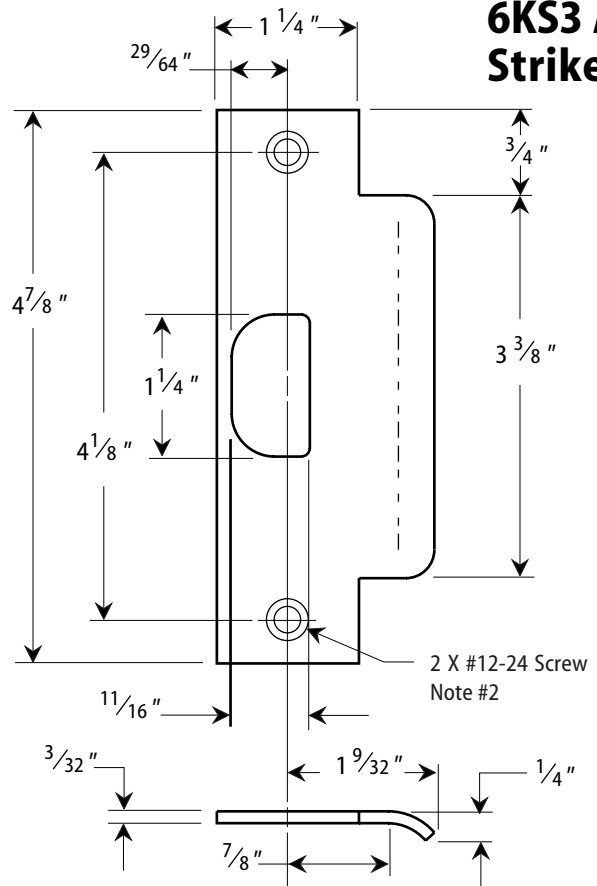
# 6KSTK Strike



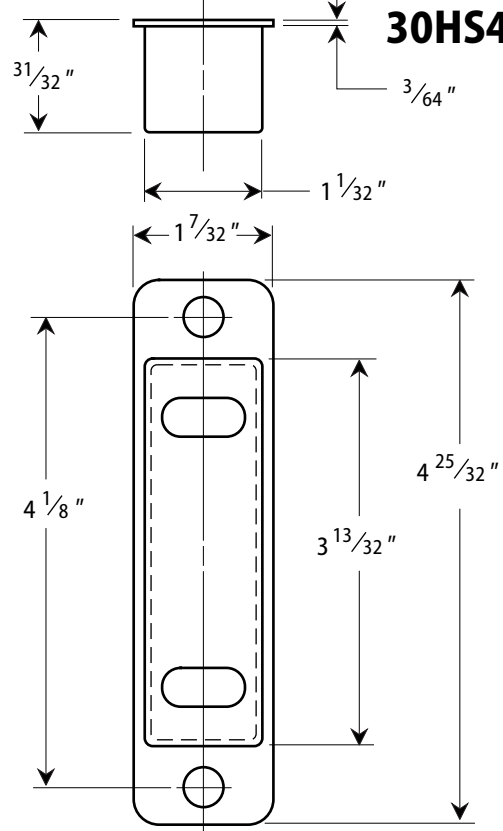
# 8KS1 Box



# 6KS3 ANSI Strike



# 30HS4 Box

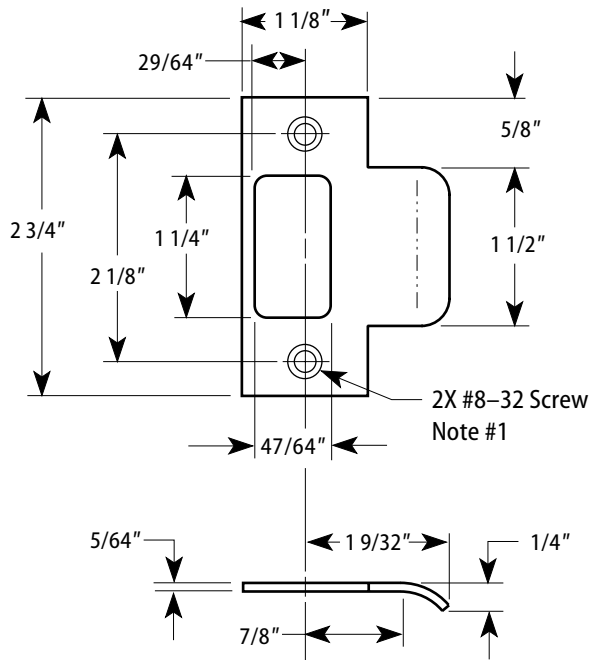


## Notes

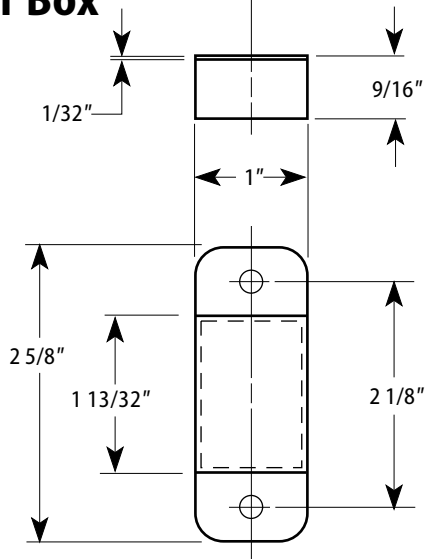
- 1 Prepare for a #8-32 machine screw or for a #8 wood screw (combination screw supplied).
- 2 Prepare for a #12-24 machine screw or for a #12 wood screw (combination screw supplied).
- 3 Allow plus tolerance for clearance per ANSI A115.2.

Title Strike Specifications for 6K, 8K, and 9K Cylindrical Locks				<b>BEST ACCESS SYSTEMS</b>			
Series 6K, 8K, 9K	Backset	Strike	Door thickness	Rev date 06/1999	Template number K21	Rev B	

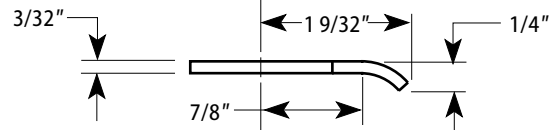
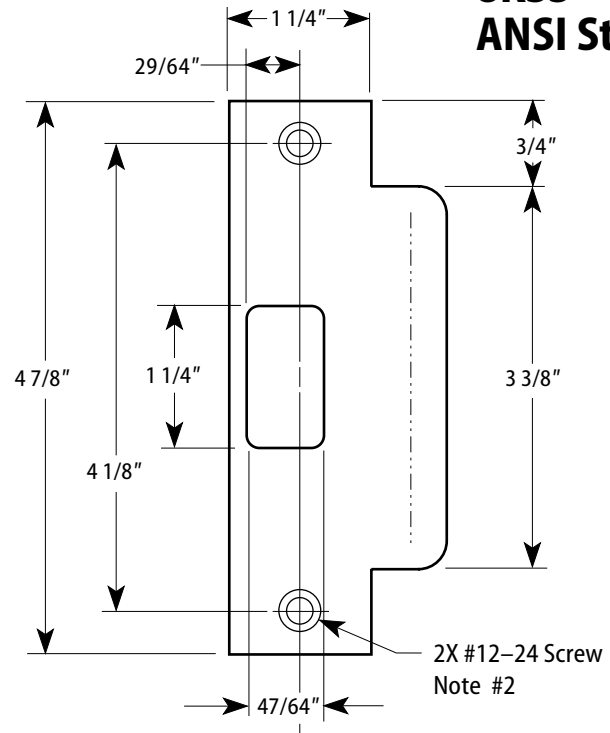
## 8KS2 Strike



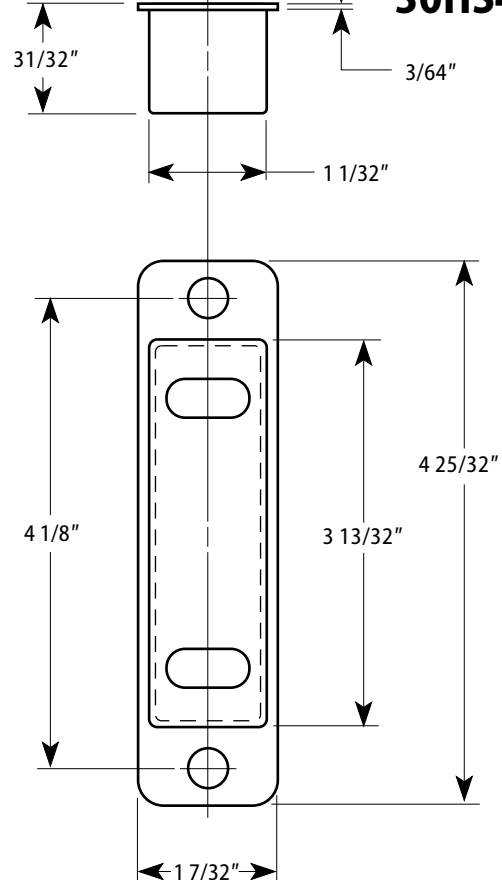
## 8KS1 Box



## 8KS3 ANSI Strike



## 30HS4 Box



### Notes

- 1 Prepare for a #8-32 machine screw or for a #8 wood screw (combination screw supplied).
- 2 Prepare for a #12-24 machine screw or for a #12 wood screw (combination screw supplied).
- 3 Allow plus tolerance for clearance per ANSI A115.2.