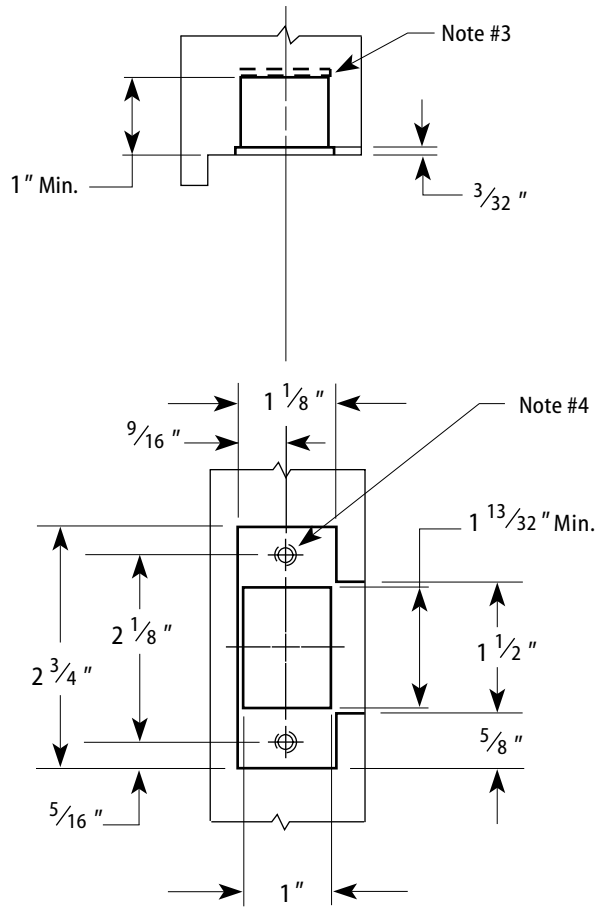


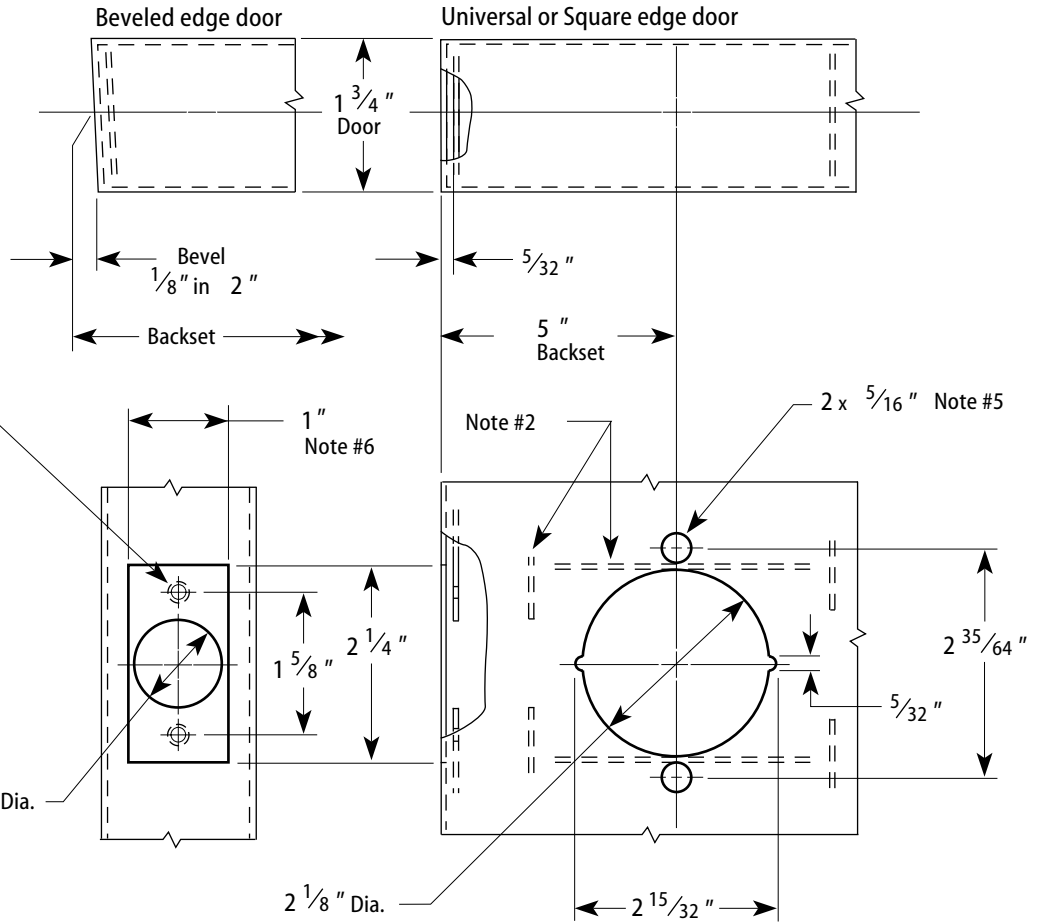
|                                |               |  |        |
|--------------------------------|---------------|--|--------|
| Title                          |               | Door & Frame Preparation for 65K, 85K, & 95K Cylindrical Locks |        |
| Series                         | 65K, 85K, 95K | Backset  | 5"     |
| Strike Small ANSI strike (STK) |               | Door thickness   | 1 3/4" |
| Rev date                       | 06/1999       | Template number  | K12    |
| BEST ACCESS SYSTEMS            |               | Rev  | D      |

**Notes**

- 1 Allow plus tolerance for clearance per ANSI A115.2.
- 2 Lock and latch case support by door manufacturer.
- 3 Plaster guard by door manufacturer
- 4 Prepare for a #8-32 screw.
- 5 For 95K only! The 65K and 85K "C" style roses will not cover these holes.
- 6 For 65K only, a 1" latch face is available.



Frame Preparation



5" Backset Door Preparation