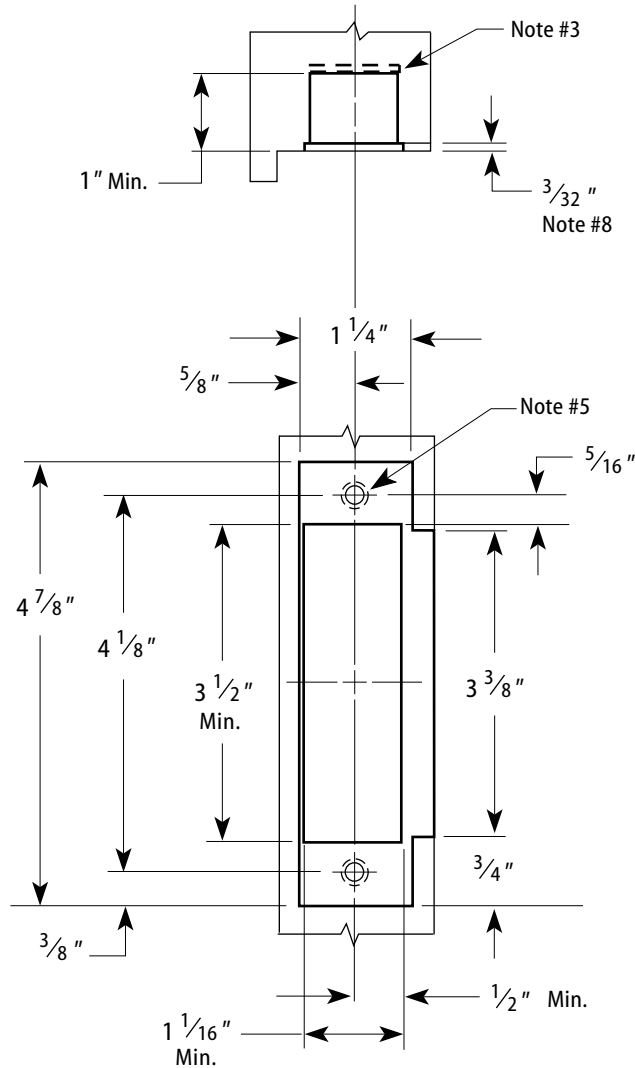


Title		Door & Frame Preparation for 65K, 85K, 95K Cylindrical Locks	
Series	65K, 85K, 95K	Backset	5"
Strike (STK)	Large ANSI strike	Door thickness	1 3/4"
Rev date	06/1999	Template number	K13
Rev	D	BEST ACCESS SYSTEMS	

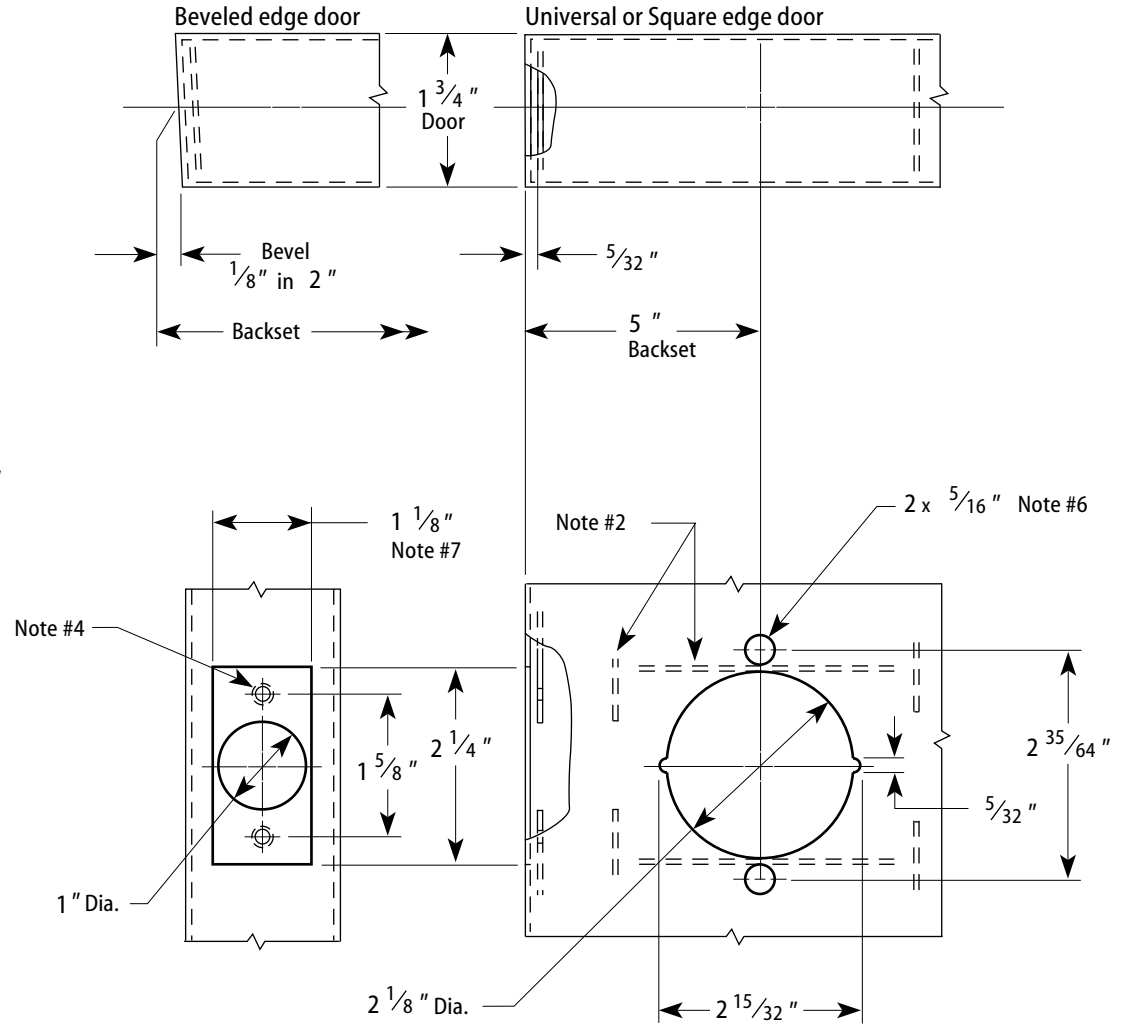
T56057/Rev D 1197177 ER-7991-1

Notes

- 1 Allow plus tolerance for clearance per ANSI A115.2.
- 2 Lock and latch case support by door manufacturer.
- 3 Plaster guard by door manufacturer
- 4 Prepare for a #8-32 screw.
- 5 Prepare for a #12-32 screw.
- 6 For 95K only! The 65K and 85K "C" style roses will not cover these holes.
- 7 For 65K only, a 1" latch face is available.
- 8 When a strike box is used, 9/64".



Frame Preparation



5" Backset Door Preparation