



**QED100**  
**QED300**

## **K2 Electrified Exit Devices**

### **INSTALLATION INSTRUCTIONS**

- **Use page 2 of these instructions for all models containing:  
LR (Latch retraction)  
ED (Electrified dogging)**
- **Use page 3 of these instructions for all models containing:  
X (Request-to-exit)**
- **Use pages 2 and 3 of these instructions for all models containing:  
LRX (Electrified latch retraction with request-to-exit)  
EDX (Electrified dogging with request-to-exit)**
- **Call 1-855-365-2407 for questions.**

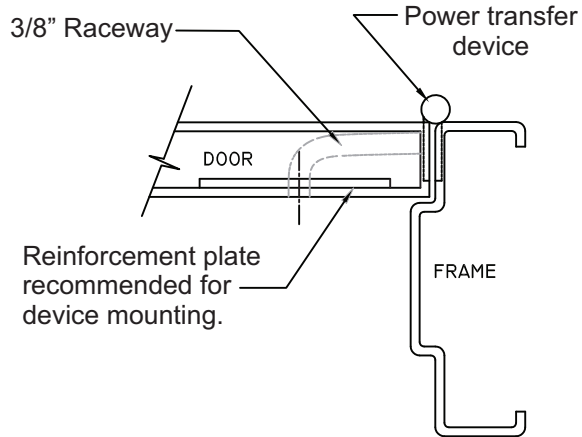
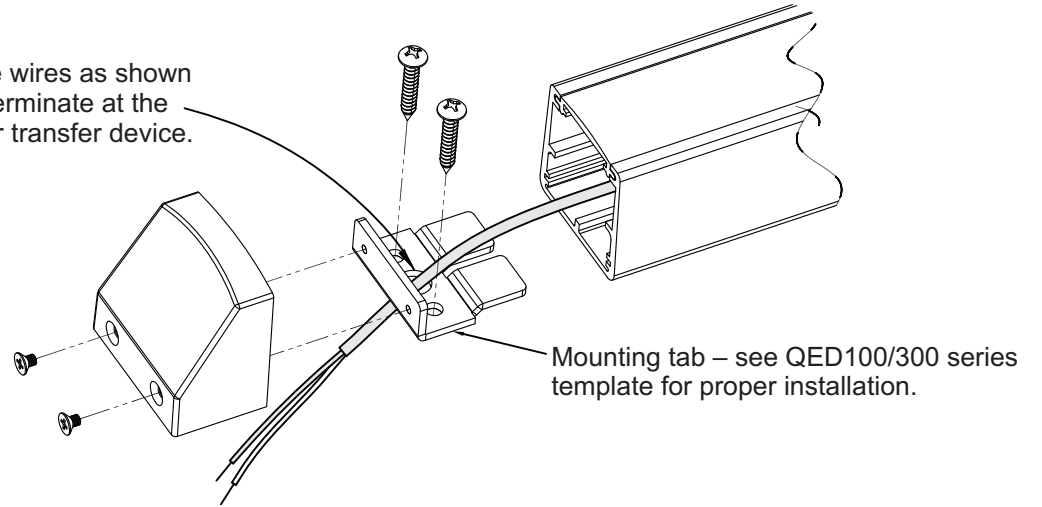
# EXIT DEVICE WIRING TEMPLATE

**K2 QED100/300 SERIES WITH :  
LR (ELECTRIFIED LATCH RETRACTION)  
ED (ELECTRIFIED DOGGING)**

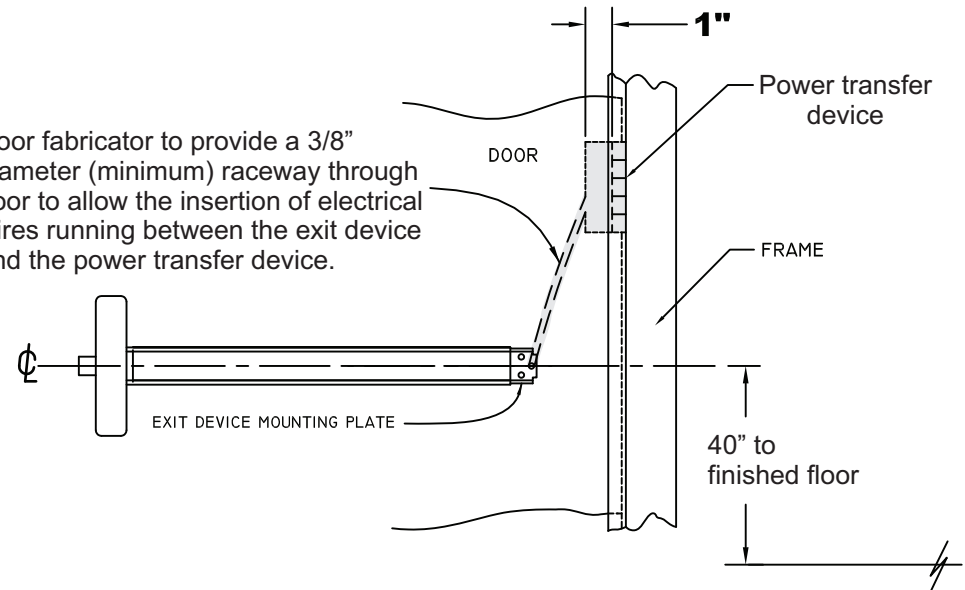
**NOTES:**

- 1.) Use QED100/300 series template for door preparation. provide additional prep, as shown, for electric lock modifications.
- 2.) Left hand reverse shown; opposite for right hand reverse models.

Route wires as shown and terminate at the power transfer device.



Door fabricator to provide a 3/8" diameter (minimum) raceway through door to allow the insertion of electrical wires running between the exit device and the power transfer device.



# Request-to-exit Switch Installation Instructions

## K2 QED100/300 SERIES WITH REQUEST-TO-EXIT (X) SWITCH

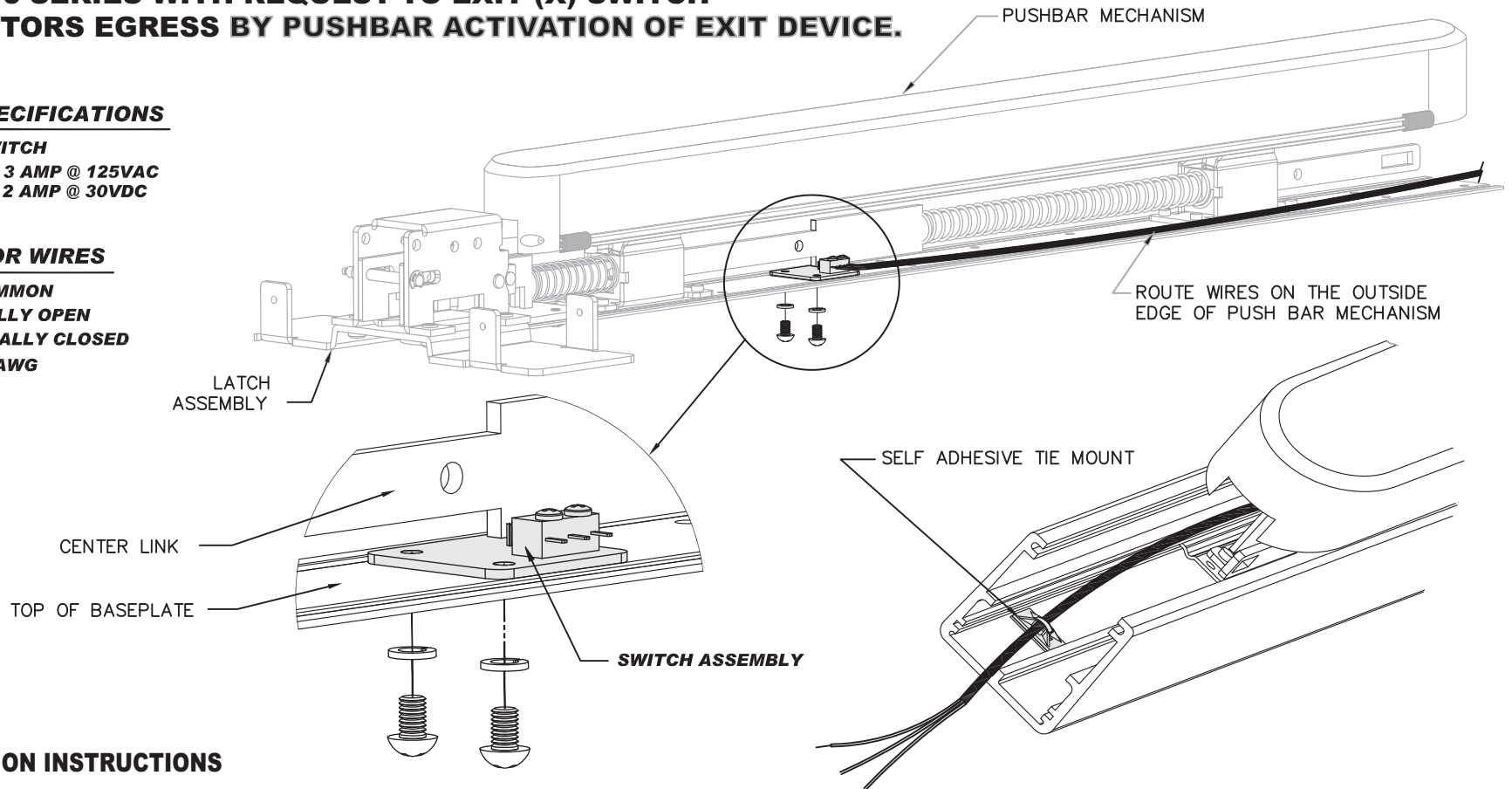
### SWITCH MONITORS EGRESS BY PUSHBAR ACTIVATION OF EXIT DEVICE.

#### ELECTRICAL SPECIFICATIONS

- SPDT MONITOR SWITCH
- CONTACT RATING: 3 AMP @ 125VAC
- 2 AMP @ 30VDC

#### COLOR CODE FOR WIRES

- YELLOW WIRE: COMMON
- RED WIRE: NORMALLY OPEN
- GRAY WIRE: NORMALLY CLOSED
- WIRE GAUGE: #22 AWG



#### **FIELD INSTALLATION INSTRUCTIONS**

1. Remove chassis cover from device.
2. Separate pushbar and latch assembly from mechanism housing.
3. Place switch assembly into device as shown. Assembly fits over the top of the existing holes.
4. Ensure the switch arm is placed on the outside of the center link on the pushbar so that the switch is preactivated.
5. Used provided round head screws and lock washers to secure switch assembly to pushbar baseplate.
6. Check for proper switch activation. When pushbar is fully depressed, switch should activate.
7. Run the wires along the outside edge of the pushbar mechanism.
8. Re-assemble the mechanism housing onto the pushbar mechanism.
9. Secure the self-adhesive wire tie mount holder to the bottom of the mechanism housing in the end of the device (as shown.)

**1.) Use QED100/300 series template for door preparation. Instructions provided, as shown, for switch kit modification.**