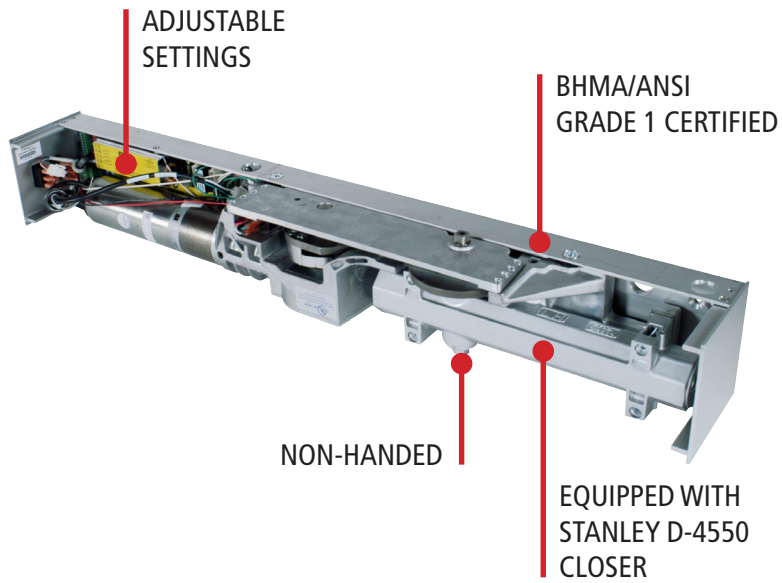


**D4990 LOW ENERGY OPERATOR**



**LOW ENERGY OPERATOR ACTUATOR EXAMPLES**



CL2247  
Push Plate Post



CL2216  
Round Plate



CL2388  
Dual Vestibule Push Plate



CL2025  
Touchless Plate



CL4488  
Keychain

**Q: What is the PRECISION D4990?**

A: The PRECISION D4990 is a grade 1 low energy operator designed to meet the requirements of ADA and the provisions of ANSI 159.19. This device incorporates electro-hydraulic technology providing a motorized power-open cycle. The power-open requires a “knowing act” to operate which comes in the form of hardwired or wireless actuators.

**Q: Who is the D4990 customer?**

A: The D4990 low energy operator is ideal for ADA access in discontinuous usage applications such as hospitals or medical office buildings.

**Q: What certifications does the D4990 meet?**

A: The D4990 meets the following certifications: ANSI/BHMA 156.19, UL 228, UL 325, UL 10B, UL 10C, UBC 7.2 & FCC.

**Q: What device types is the D4990 offered in?**

A: The D4990 is available in two device types: push side (D4990) & pull side (D4990T). These two cannot be interchanged, so you must order the correct type for the application.

**Q: Do you have to specify handing when ordering a D4990?**

A: The D4990 & D4990T are both non-handed.

**Q: What types of actuators are available to order for the D4990?**

A: The D4990 can be ordered with push plates, touchless plates and fobs. These actuators can be hardwired or wireless depending upon the application requirements.

**Q: What settings are available on the D4990?**

A: The D4990 is configured with optional settings to accommodate various applications (i.e., push & go, power-close, hold-open).

**Q: Is the D4990 compatible with electric strikes?**

A: The D4990 is compatible with BEST electric strikes and PRECISION electric latch retraction (ELR) exit devices. It also works with other manufacturers’ products.

**Q: How hard is it to install a D4990?**

A: The D4990 is simple to install and is integrated with pre-configured mounting holes.

**Q: Is it hard to manually open doors equipped with a D4990 device?**

A: The D4990 is equipped with a STANLEY D-4550 heavy duty door closer which enables the door to open with ease manually and does not require as much force as low energy operators not equipped with a standard closer.

**Q: What finishes are offered for the D4990?**

A: The D4990 is available in 2 finishes: 628 & 313AN.

**Q: What is the lead time for a D4990?**

A: The average lead time for a D4990 is less than 2 weeks.

**Q: What warranty does the D4990 have?**

A: The D4990 has a 2 year mechanical and electrical warranty.

**Q: What is the D4990 list price?**

A: The list price for the D4990 ranges from \$3,605 – \$3,760.