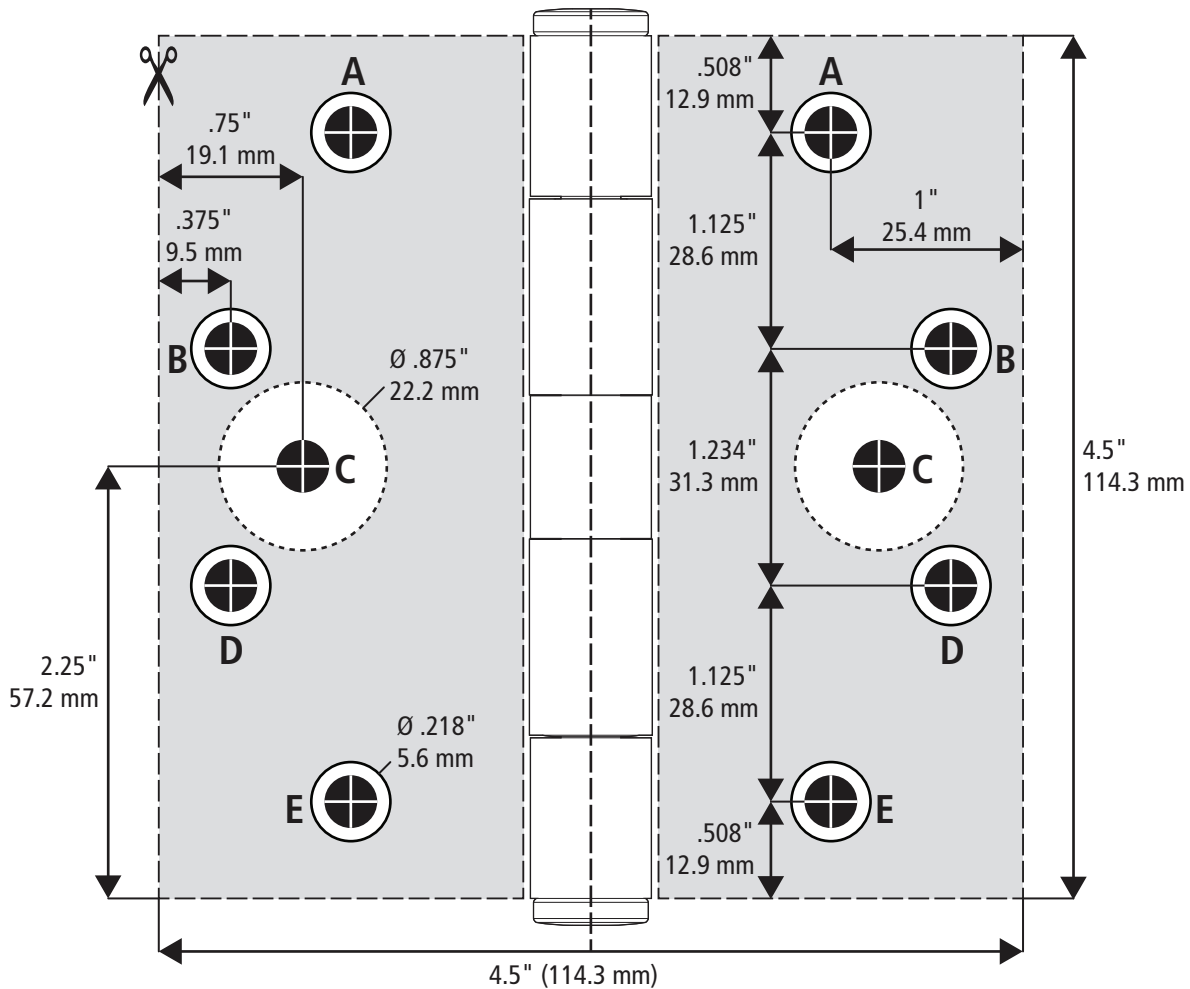
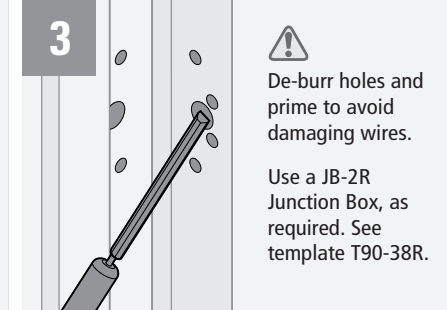
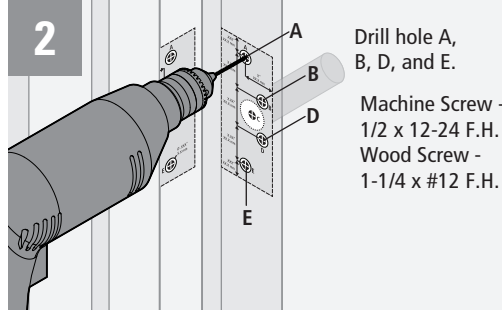
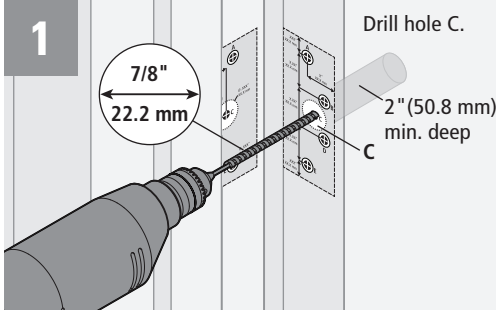
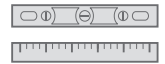
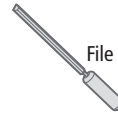
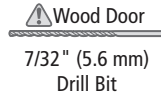
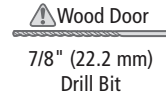
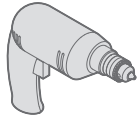


Tools Needed

Herramientas necesarias
 Outils nécessaires



Standard Weight
 0.134" (3.4mm)
 CECB 179 & 191
 Heavy Weight
 0.180" (4.6mm)
 CECB 168 & 199

1/32-1/16 (.79mm-1.6mm) clearance between hinge leaves when parallel.

