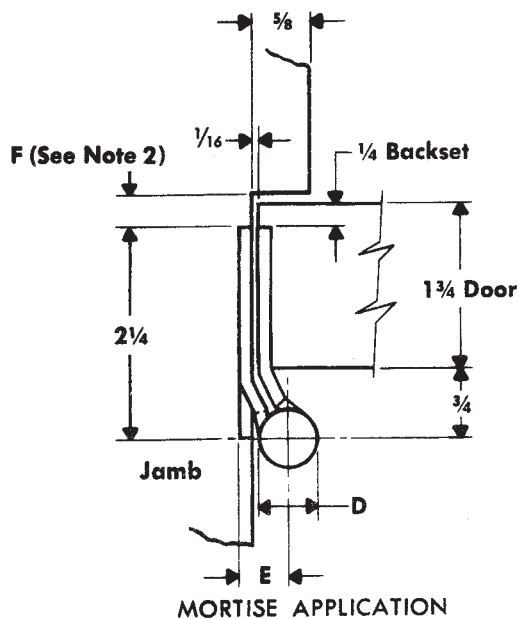


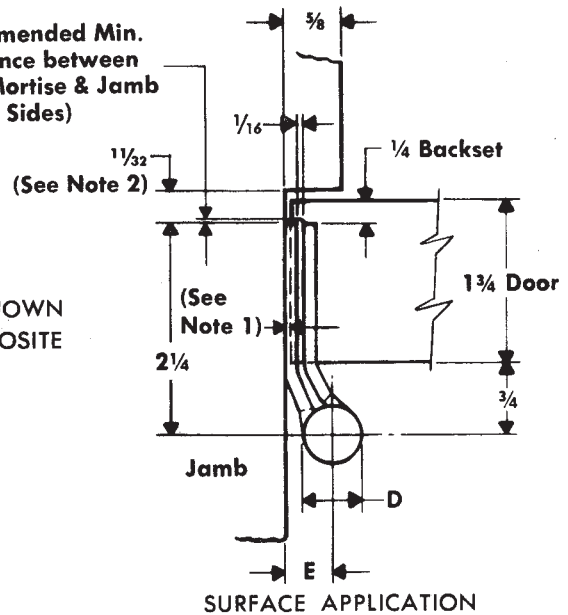
# RAISED BARREL TEMPLATE BUTT HINGES FOR DOORS WITH SQUARE EDGE HINGE STILES

Size: 4½ × 4½"



1/32 Recommended Min. Clearance between Door Mortise & Jamb Leaf (3 Sides)

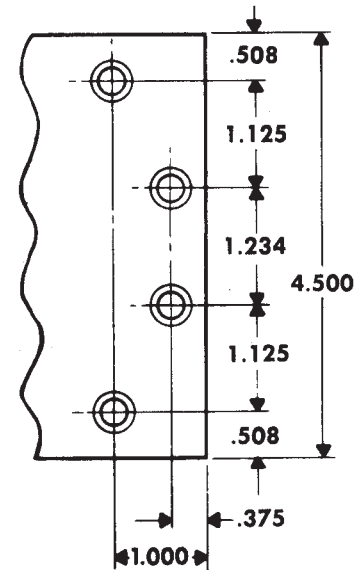
RIGHT HAND SHOWN LEFT HAND OPPOSITE



DO NOT SCALE

**NOTES:**

- 1 Side clearance between door and frame governed by depth of mortise. (3/32 between door and frame suggested).
- 2 Recommended for approx. 1/16 swinging clearance between door and stop. For raised barrel mortise and surface applications on beveled stile door installations, see template drawing T45-11.



CLASS NUMBER		Gauge of Metal	(E) Outside Diameter	E	F (See Note 2)
Steel Hinges	Nonferrous Hinges				
RB-CB179	RB-CB191	0.134	0.625	1/2	11/32
RB-FBB179	RB-FBB191	0.134	0.625	1/2	11/32
RB-CB1900	RB-CB1960	0.134	0.540	1/2	11/32
RB-CB1900R	RB-CB1960R	0.134	0.625	1/2	11/32
RB-CB168	RB-CB199	0.180	0.698	5/8	3/8
RB-FBB168	RB-FBB199	0.180	0.698	5/8	3/8
RB-CB1901	RB-CB1961	0.180	0.690	5/8	3/8
RB-CB1901R	RB-CB1961R	0.180	0.698	5/8	3/8

Template hinges of the hospital type conform to above screw hole location. Hospital type hinges are designated by prefix "HT" to class number.

Machine Screw Size — ½ × 12-24 F.H.

Wood Screw Size — 1¼ × No. 12 F.H.