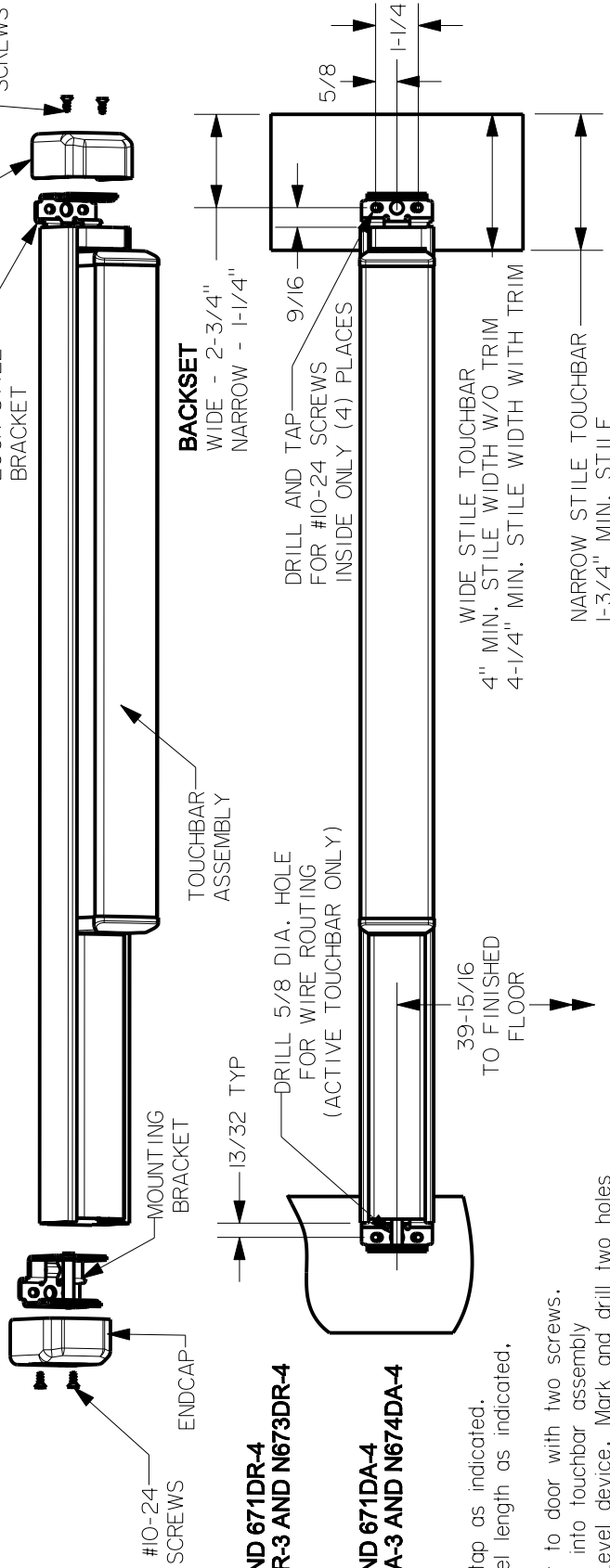


DOOR PREPARATION AND INSTALLATION INSTRUCTIONS

DUMMY TOUCHBAR

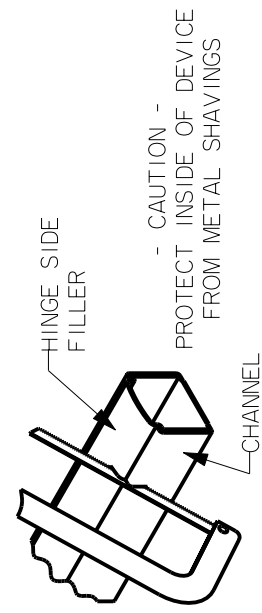
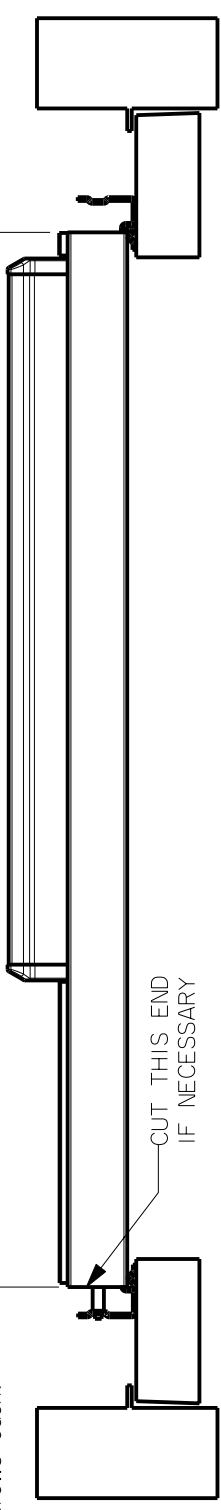


- RIGID TOUCHBAR**
- WIDE STILE - 671DR-3 AND 671DR-4**
- NARROW STILE - N673DR-3 AND N673DR-4**
- ACTIVE TOUCHBAR**
- WIDE STILE - 672DA-3 AND 671DA-4**
- NARROW STILE - N674DA-3 AND N674DA-4**

- 1) Mark centers, drill and tap as indicated.
- 2) Determine proper channel length as indicated, cut if needed.
- 3) Mount lock stile bracket to door with two screws.
- 4) Insert mounting bracket into touchbar assembly tight against channel. Level device. Mark and drill two holes for #10 sheet metal screws or #10-24 machine screws.
- 5) For active touchbar (Models with "DA" suffix) refer to O1851-II for wiring details and drill hole for wire routing as noted above.
- 6) Fasten mounting bracket to door with two screws, and attach both end caps with two screws each.

TO DETERMINE PROPER CHANNEL LENGTH

FOR SERIES 671 AND 672 SUBTRACT 6-1/2" FROM DOOR LEAF WIDTH
FOR SERIES N673 AND N674 SUBTRACT 3-1/8" FROM DOOR LEAF WIDTH



CAUTION -
PROTECT INSIDE OF DEVICE
FROM METAL SHAVINGS

Precision Hardware a Division of Stanley Security Solutions, Inc. www.stanleysecuritysolutions.com	
DEVICE SERIES	TRIM SERIES
671DR-3, 671DR-4, N673DR-3, N673DR-4	N/A
672DA-3, 671DA-4, N674DA-3, N674DA-4	
STRIKE NO.	RELEASED DATE
N/A	08/26/03
	TEMPLATE NO.
	REV
	01919-II-000
	A

NOTE: IF DEVICE HAS ELECTRICAL OR OTHER OPTIONS SEE INSTRUCTIONS PACKED WITH THAT OPTION.