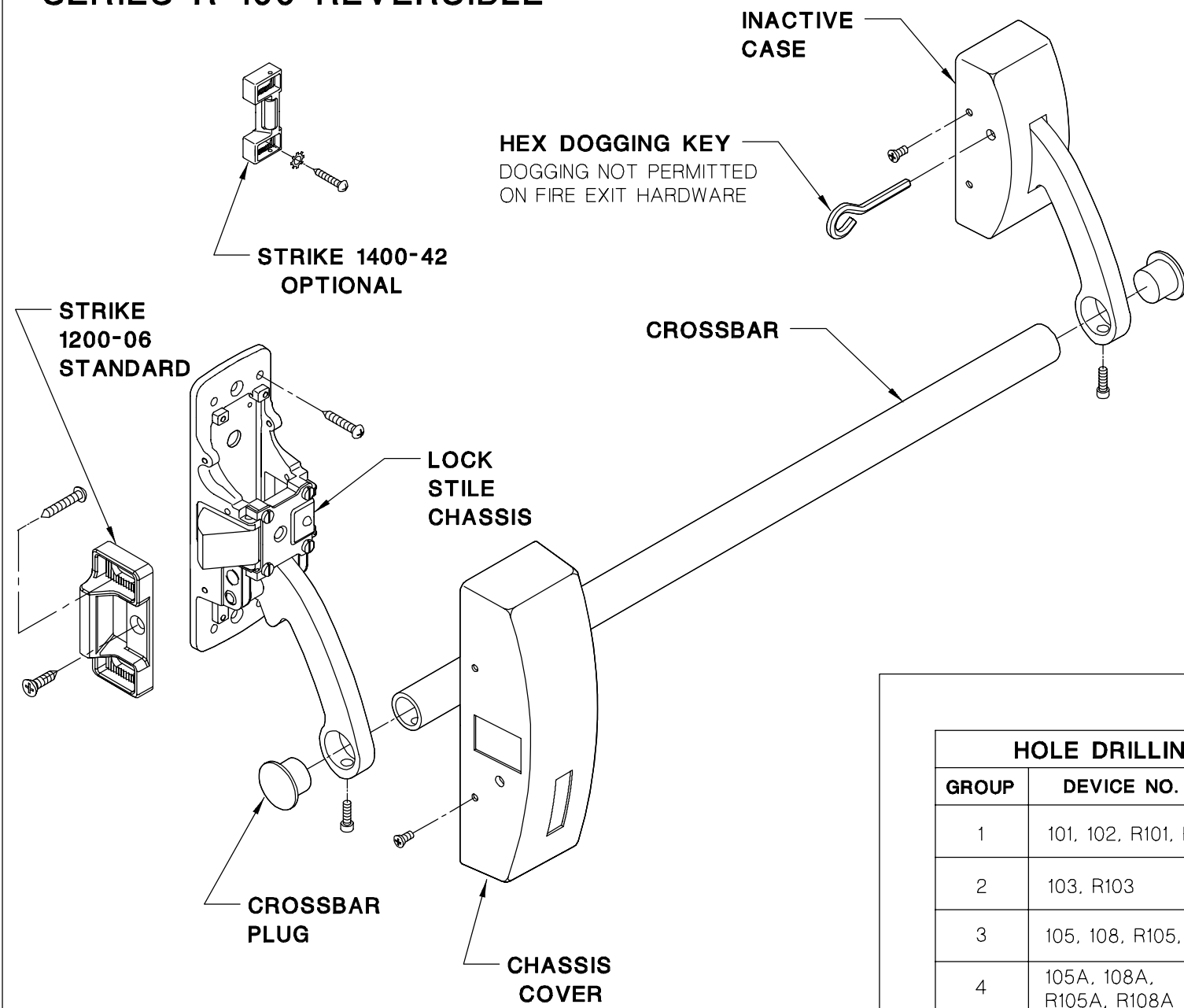


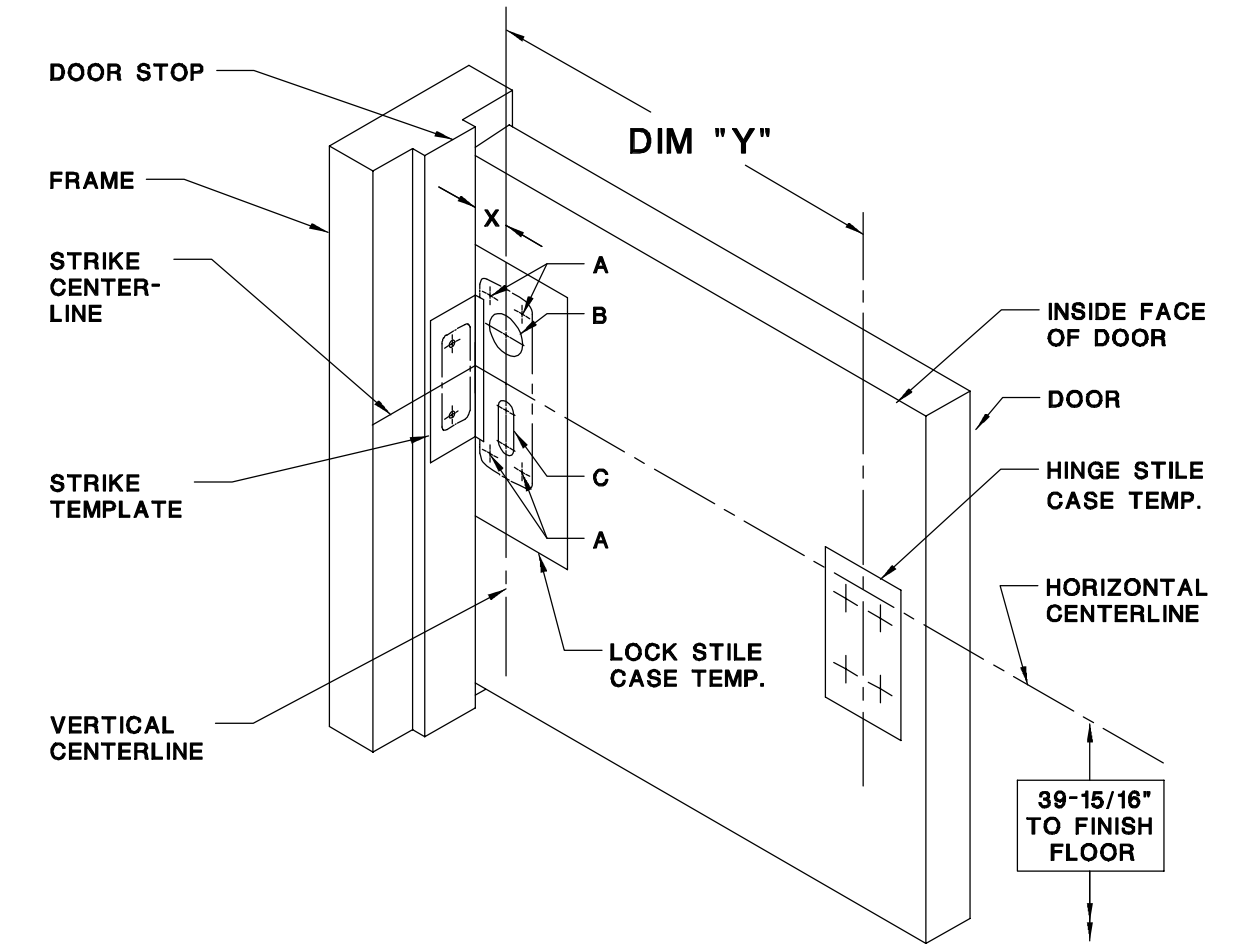
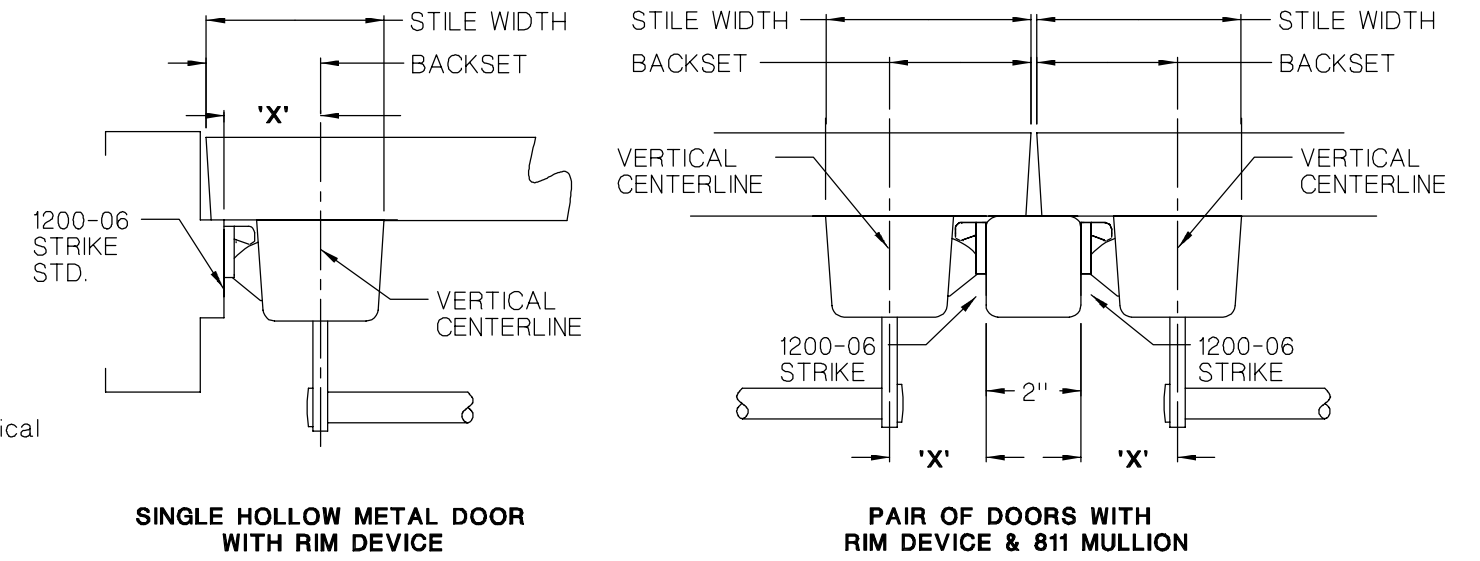
# INSTALLATION INSTRUCTIONS

## RIM EXIT DEVICES SERIES 100 - HANDED SERIES R-100 REVERSIBLE



### 1 DOOR PREPARATION

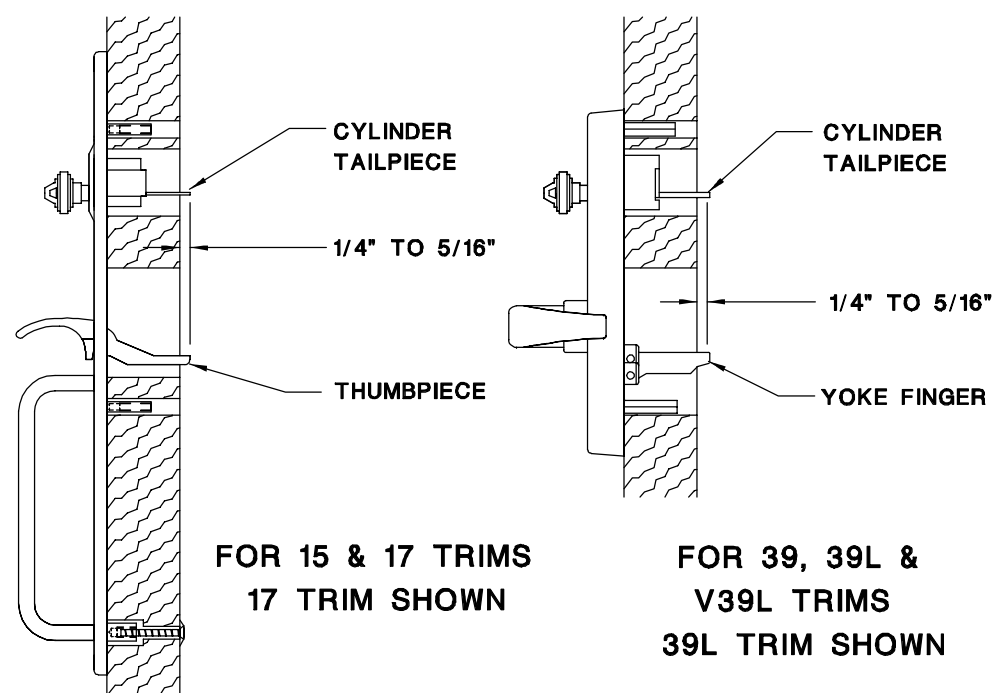
- Circle the following:  
A. **STRIKE NO.**, Dimension **'X'**, and **BACKSET** in chart for the appropriate application and strike.  
B. **DEVICE NO.** and **GROUP NO.** in **'HOLE DRILLING SCHEDULE'**.
- Close door. Mark horizontal centerline on inside face of door and on lock side door stop 39-15/16" from finish floor as shown. (Continue horizontal centerline to outside face of door if Trim is specified).
- Mark vertical centerline at lock side using dimension **'X'**. (Mark vertical centerline at lock side using backset dimension on outside face of door if Trim is specified).  
**CAUTION:** Vertical centerlines on both sides of the door should be the same dimension from the edge of the door.
- Mark vertical centerline on hinge side using dimension **'Y'** for door opening. To determine dimension **'Y'** see **(SEE STEP 3)**.
- Tape Lock Stile Case and Hinge Stile Case Template (and Trim Template if Trim specified) to the door so that centerlines on the Template line up with centerlines on door. Mark centers for the Holes required per the **"HOLE DRILLING SCHEDULE"** (and Trim Template if Trim specified).
- Fold Strike Template. Place on door stop with smaller flap against the door so that horizontal centerline on template lines up with horizontal centerline on door stop and door. Mark centers for 2-screw holes on door stop.
- Drill holes in door and frame as directed on templates.
- For 103 or R103 Device less Trim install cylinder with Cylinder Back Plate. Tailpiece length should be 1/4" to 5/16" **(SEE STEP 2)** from inside face of the door.



HOLE DRILLING SCHEDULE			
GROUP	DEVICE NO.	B, B1, B2	C
1	101, 102, R101, R102	NO	YES
2	103, R103	YES	YES
3	105, 108, R105, R108	YES	YES
4	105A, 108A, R105A, R108A	NO	YES

	SINGLE DOOR		PAIR OF DOORS WITH 811 MULLION	
<b>STRIKE No.</b>	1200-06 1200-16	1400-42 ALUMINUM	1200-06 1200-16	1400-42 ALUMINUM
<b>DIMENSION "X"</b>	2-1/4"	2-1/16"	2-1/4"	2-1/16"
<b>BACKSET</b>	2-3/4"	1-15/16"	3-1/8"	2-15/16"
<b>STILE WIDTH</b>	4-1/4" MINIMUM	3-1/2" MINIMUM	4-5/8" MINIMUM	4-1/2" MINIMUM

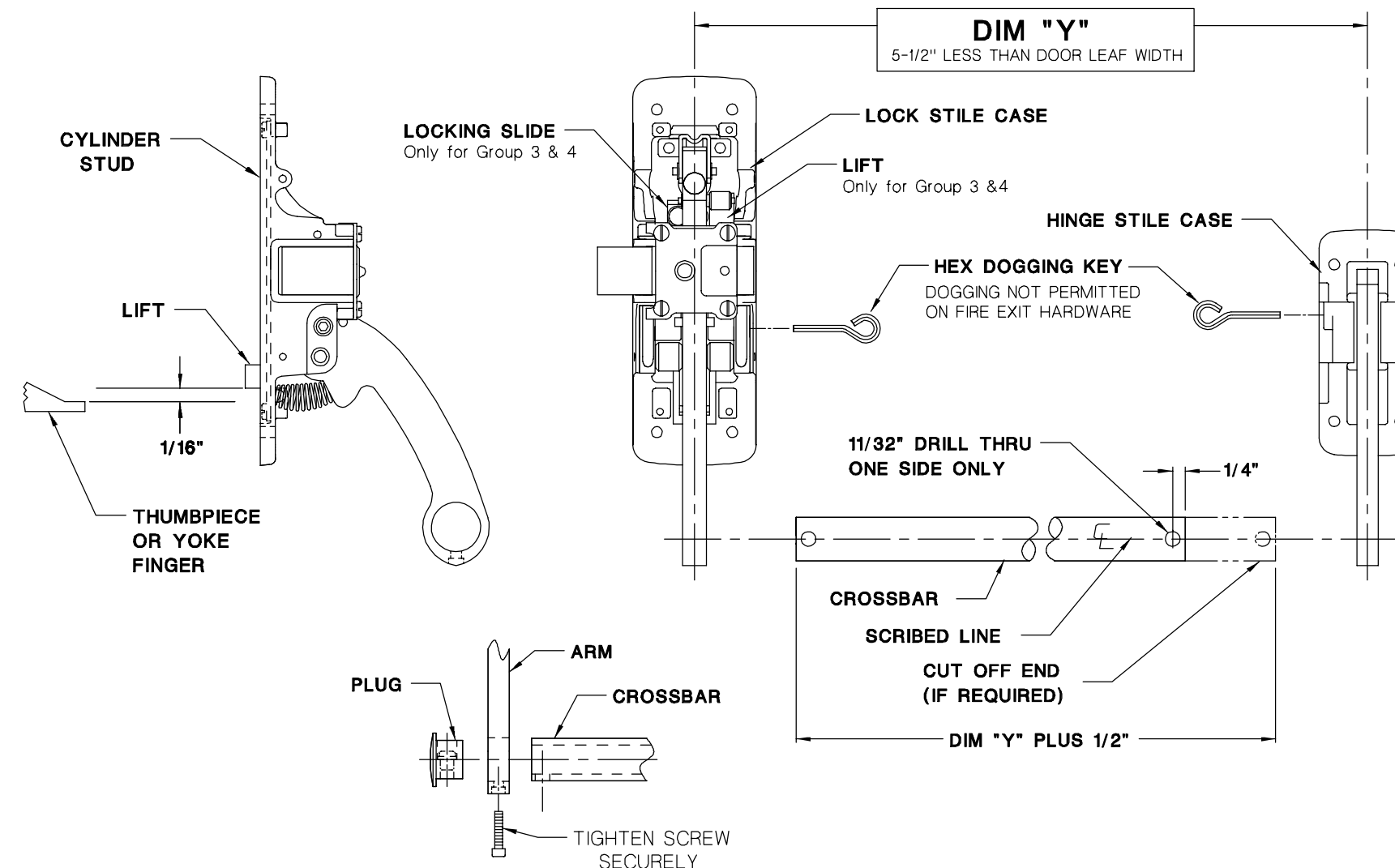
### 2 APPLY TRIM - WHEN SPECIFIED



- If no trim is specified, proceed with **STEP 3**.
- For Devices in **GROUP 2 & 3**, install cylinder in the Trim. Install the Trim into the door and check length of cylinder tailpiece as shown.
- For Devices in **GROUP 3 & 4**, check length of **THUMBPIECE** or **YOKE FINGER**.

### 3 APPLY DEVICE

**NOTE:** Locking Slide to the left unlocks the Lift.  
Locking Slide to the right locks the Lift.



- Lock stile case installation - Undog chassis (when applicable) and remove cover. Mount lock stile case chassis with 4 screws. For devices with outside functions, follow A & B below.  
A. For devices in **GROUP 2 & 3** insert cylinder tailpiece in to **CYLINDER STUD** in lock stile chassis. **(SEE LOCK STILE CASE)**.  
B. For devices in **GROUP 3 & 4** **LIFT** appears in lock stile chassis. **LIFT** must be in locked position. **THUMBPIECE** or **YOKE FINGER** must be under the **LIFT** with 1/16" gap. **(SEE LOCK STILE CASE)**.  
**CAUTION:** Before proceeding further, unlock the lift for devices in **GROUP 4**.
- Fasten Strike to frame and adjust strike so that device latches tightly without binding. Apply third center screw to strike once adjustment is complete.
- Hinge stile case installation - Undog chassis (when applicable) and remove cover. Mount hinge stile case chassis with 4 screws.
- Attach Covers.
- Check cross bar length per illustration. Cut cross bar if required and install per illustration. Make sure screws are tightly secured.