

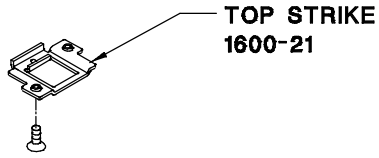
1600-21 TOP STRIKE CONVERSION

KIT No. RK-1600

NEW STYLE

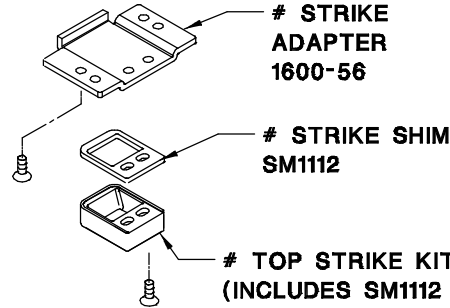
PARTS INCLUDED WITH KIT

ORIGINAL STYLE



TOP STRIKE
1600-21

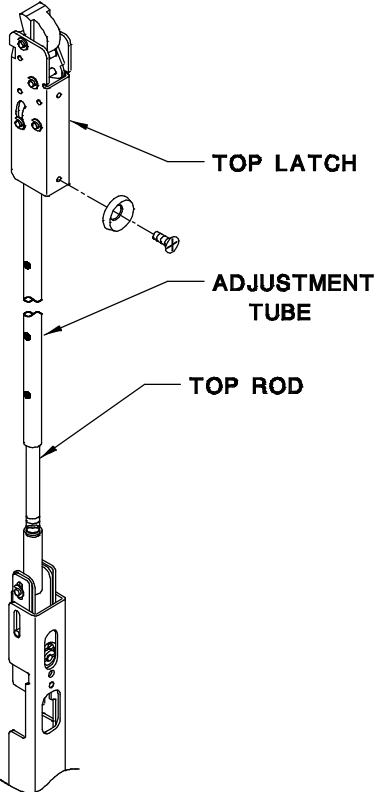
CONVERTING TO



STRIKE
ADAPTER
1600-56

STRIKE SHIM
SM1112

TOP STRIKE KIT S519
(INCLUDES SM1112 STRIKE SHIM)

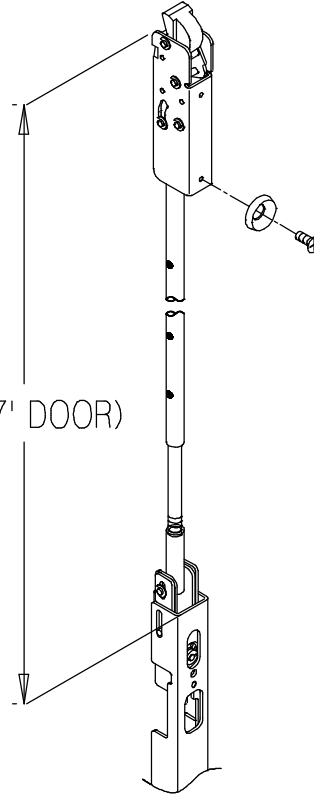


TOP LATCH

ADJUSTMENT
TUBE

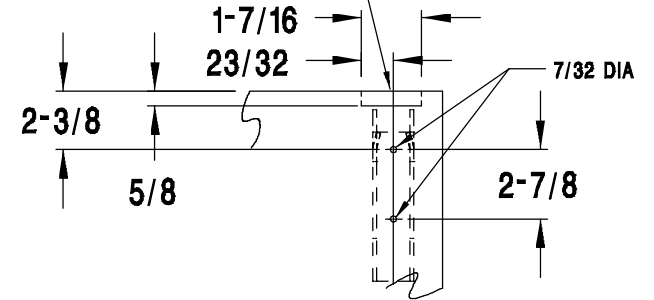
TOP ROD


39" (7' DOOR)



- 1) PREP TOP OF DOOR TO DIMENSIONS SPECIFIED BELOW.
- 2) ADJUST TOP ROD ASSEMBLY TO DIMENSION SHOWN.
- 3) FOR DOOR SIZES OTHER THAN 7', ADD OR SUBTRACT APPROPRIATE LENGTH.

NOTCH THRU INSIDE
FACE ONLY



	DRAWING	DATE	REVISION
	AI-1600-1	01-09-03	B

Precision Hardware, Inc.
P.O. Box 74040, Romulus, MI 48174

*Manufacturers of Panic Exit Devices
and Builder's Hardware*