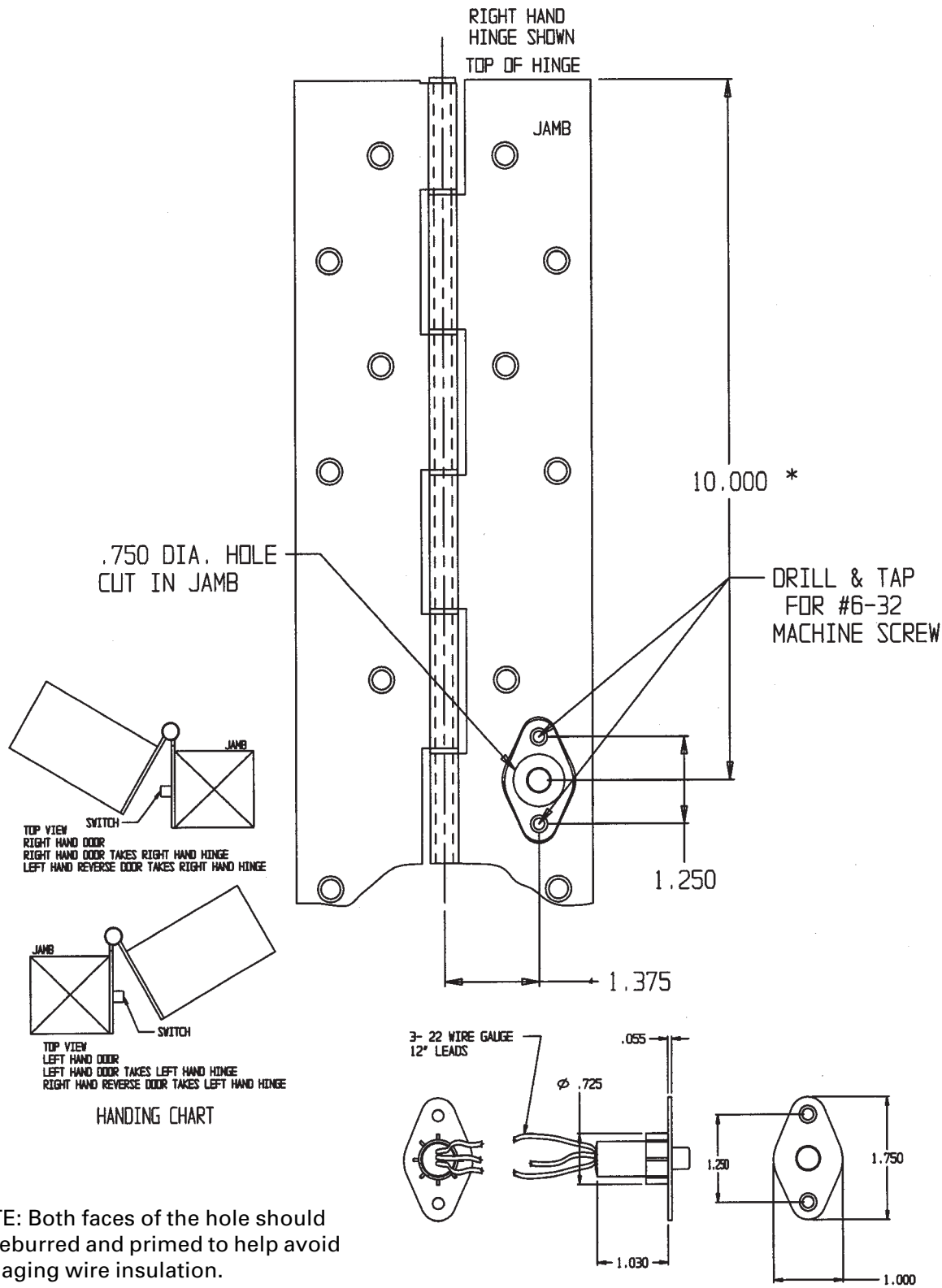


600 SERIES CONTINUOUS HINGE DOOR POSITION SWITCH



NOTE: Both faces of the hole should be deburred and primed to help avoid damaging wire insulation.

* For a non-standard hinge length, the position of the cut-out may vary ± 1.000 .

DO NOT SCALE