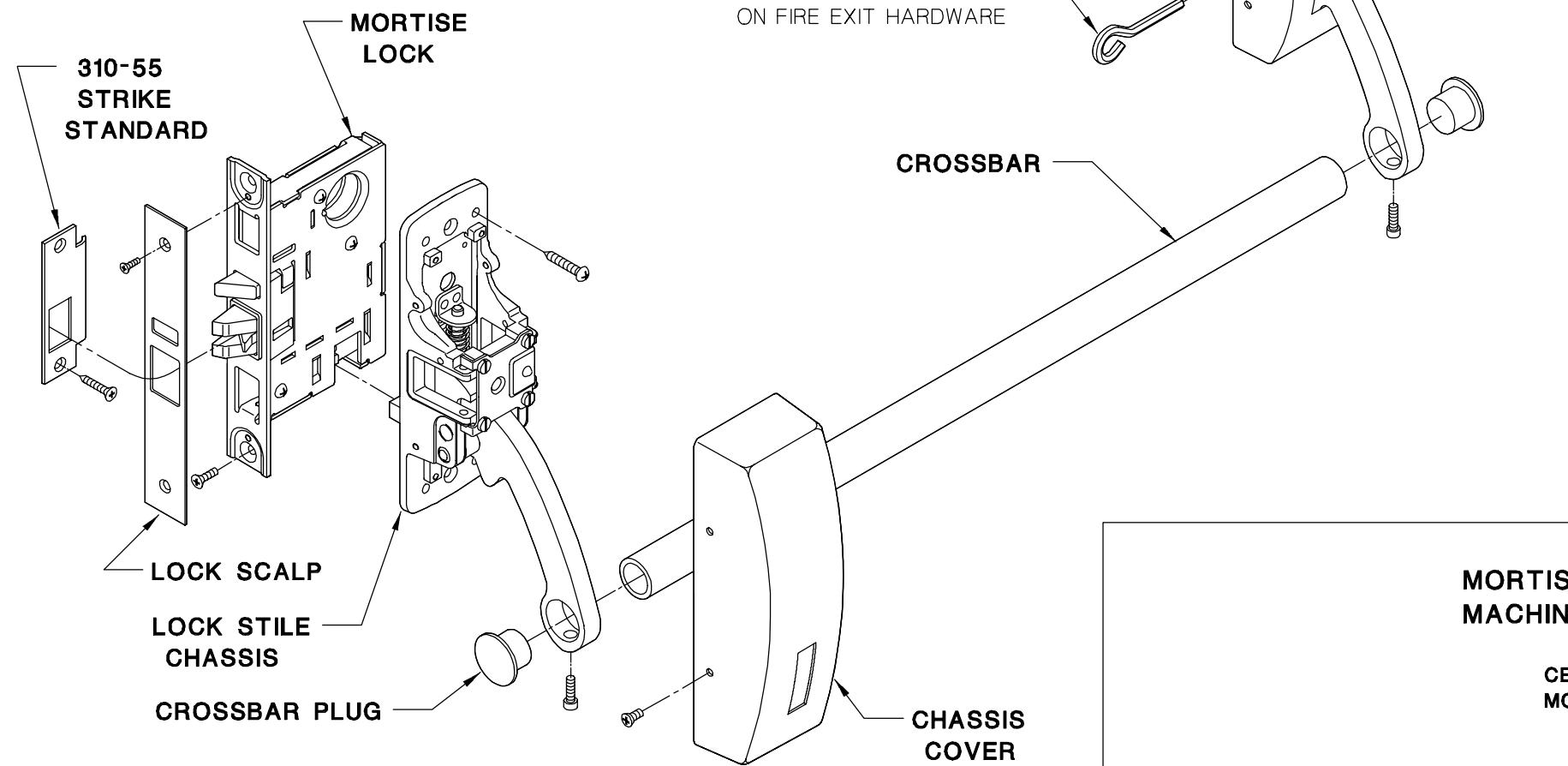


# INSTALLATION INSTRUCTIONS

## MORTISE EXIT DEVICES SERIES 300 - HANDED SERIES FL-300 HANDED



### FIRE EXIT DEVICE INSTALLATION SERIES FL-300

The use of sex bolts or through bolts to mount the devices to the door is required for composite (wood or plastic covered) and wood core type fire doors unless an alternate mounting method is identified in the individual door manufacturer's listings (and installation instructions). The use of sex bolts to mount the devices to the door

is required for steel covered composite type sheet-metal type or hollow-metal type fire doors provided without reinforcements. The use of steel machine screws to mount the devices to the door is required for steel covered composite type, sheet-metal type or hollow-metal type fire doors incorporating steel reinforcements.

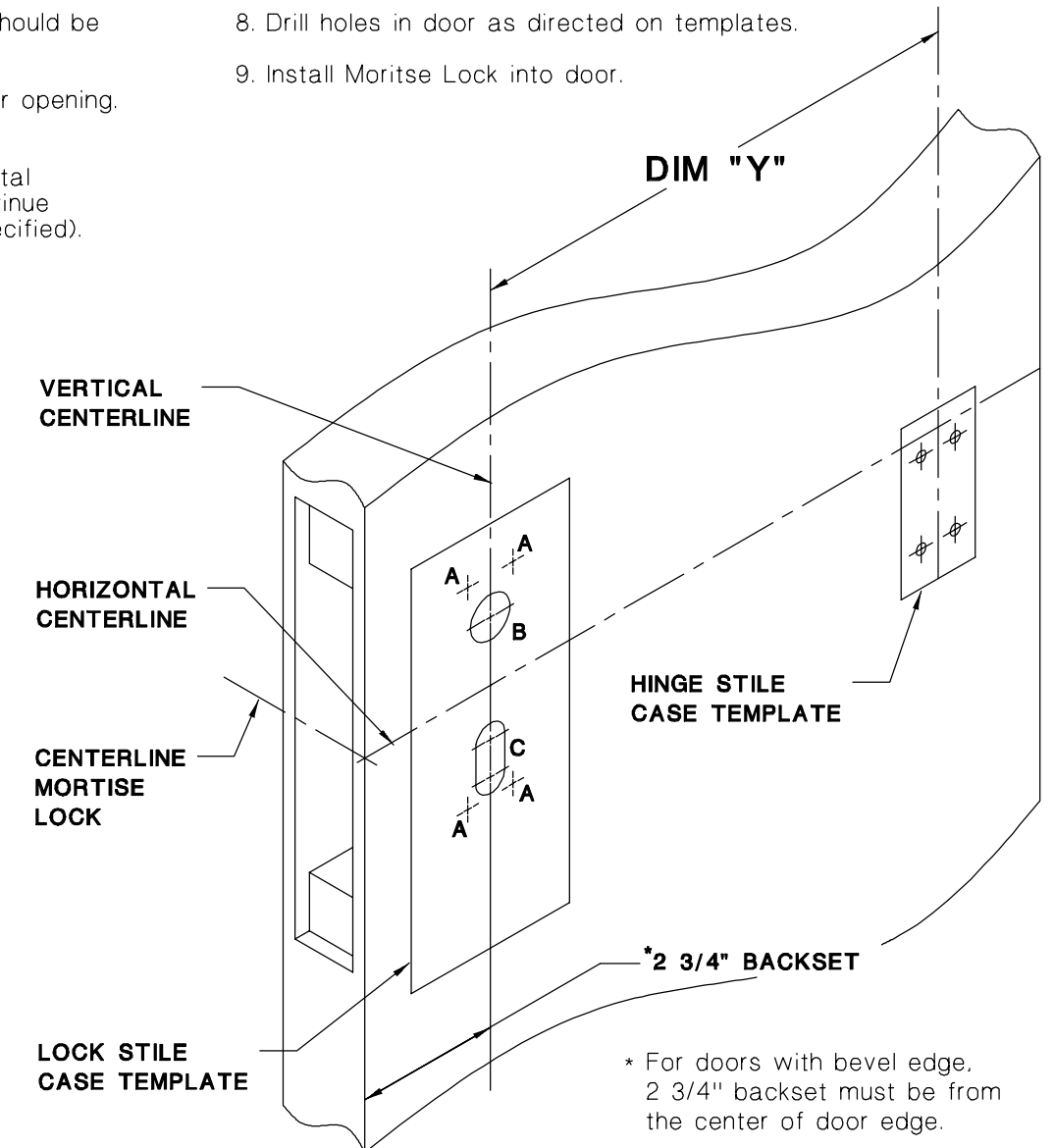
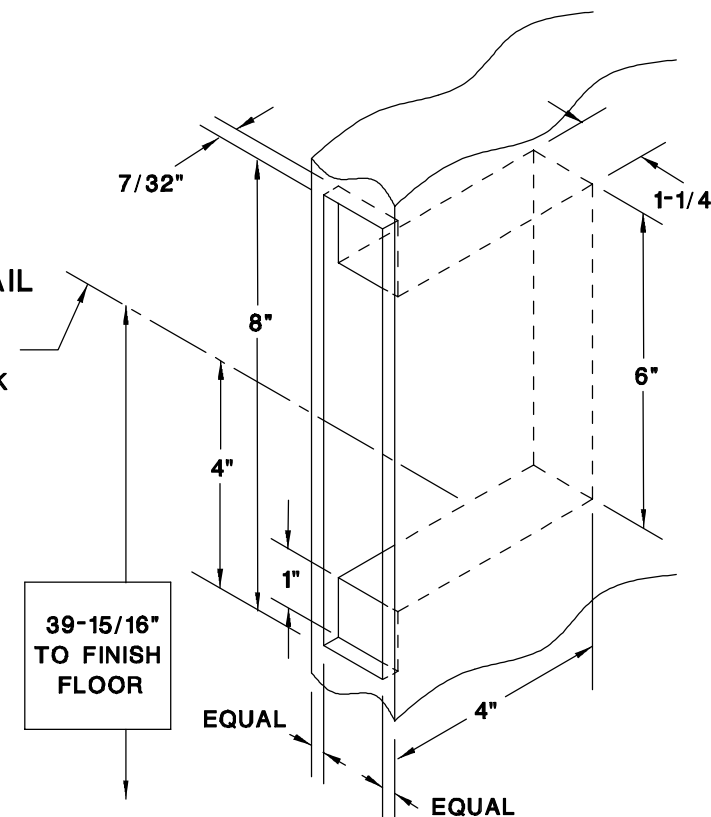
### MORTISE LOCK MACHINING DETAIL

CENTERLINE  
MORTISE LOCK

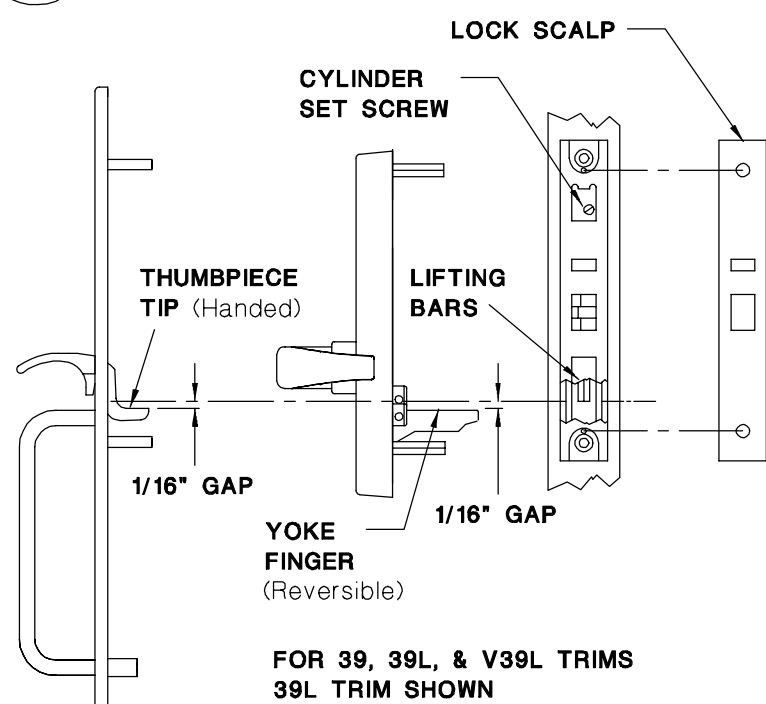
HOLE DRILLING SCHEDULE			
GROUP	DEVICE NO.	B, B1, B2	C
1	301, 302, FL-301	NO	YES INSIDE ONLY
2	303, FL-303	YES	YES
3	305, FL-305, 308, FL-308	YES	YES
4	305A, 308A FL-305A, FL-308A	NO	YES

## 1 DOOR PREPARATION

- Circle the following. **DEVICE NO.** and **GROUP NO.** in 'HOLE DRILLING SCHEDULE'.
- If door is not pre-machined for mortise lock, mortise the door according to 'MORTISE LOCK MACHINING DETAIL'.
- Mark vertical centerline on inside face of door at lock side 2-3/4" from the centerline of door edge. (Mark vertical centerline on outside face of door at lock side 2-3/4" if Trim is specified). **CAUTION:** Vertical centerlines on both sides of the door should be the same dimension from the edge of the door.
- Mark vertical centerline on hinge side using DIM 'Y' for door opening. To determine DIM 'Y' see STEP 3.
- Mark horizontal centerline on inside face of door. Horizontal centerline must be same as mortise lock centerline. (Continue horizontal centerline to outside face of door if Trim is specified).
- Tape Lock Stile Case Template (and Trim Template if Trim is specified) to the door so that centerlines on template line up with centerlines on door. Mark centers for the holes required per the 'HOLE DRILLING SCHEDULE' (and Trim Template if Trim specified).
- Tape Hinge Stile Case Template to the door at hinge side so that centerlines on template line up with centerlines on door. Mark centers for 4-screw holes.
- Drill holes in door as directed on templates.
- Install Mortise Lock into door.



## 2 APPLY TRIM - WHEN SPECIFIED



FOR 15 & 17 TRIMS  
17 TRIM SHOWN

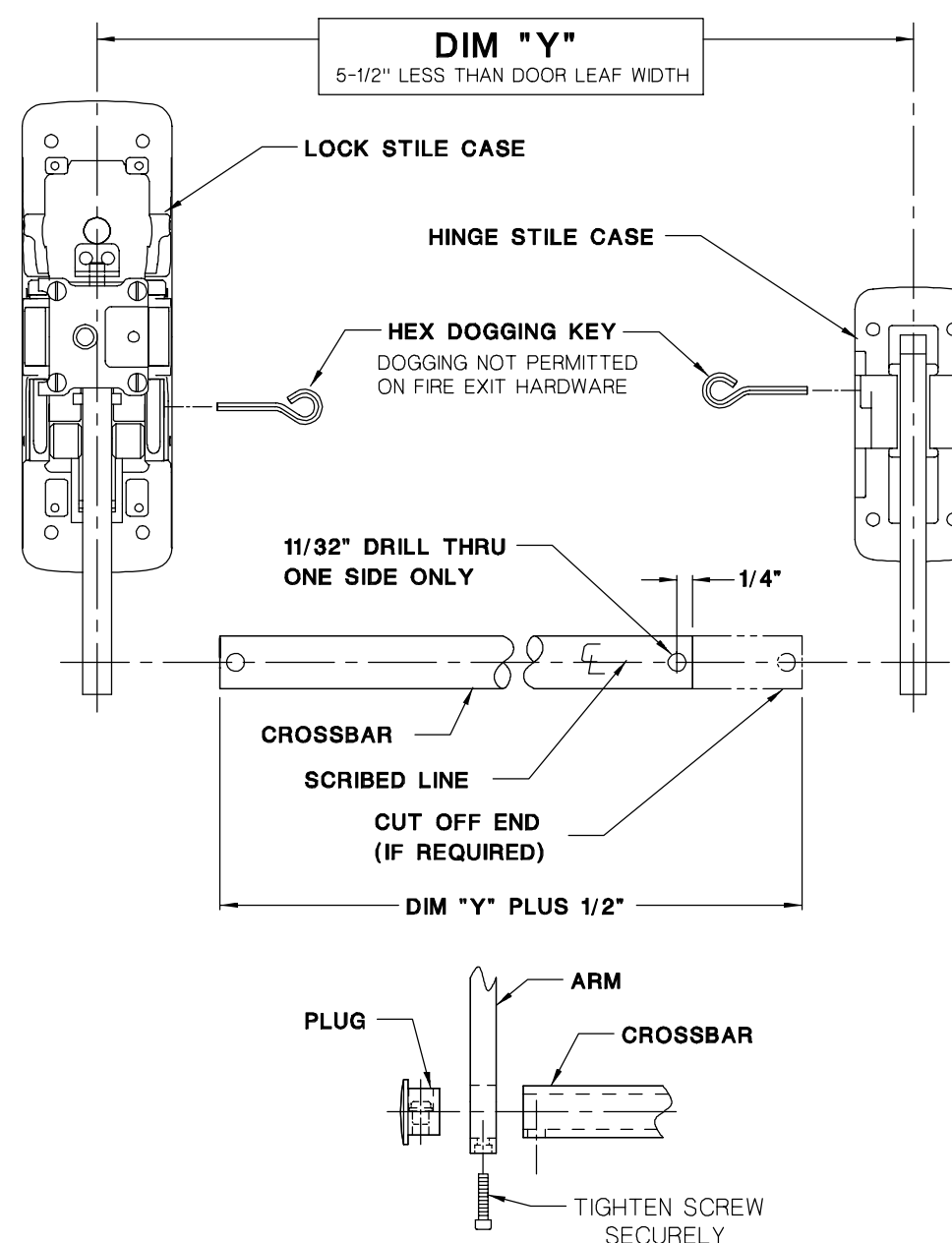
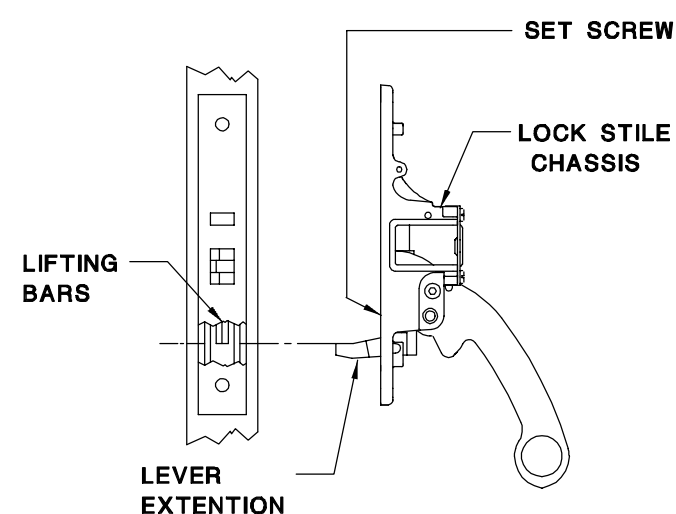
- If no trim is specified proceed with STEP 3. **NOTE:** for Cylinder Only follow item 2. below.

tighten **CYLINDER SET SCREW** in lock case.

- For devices in **GROUP 3 & 4**, **THUMBPIECE TIP** or **YOKE FINGER** must be under the **LIFTING BARS** with 1/16" GAP. Thumbpiece, knob or lever should fully retract the latchbolt.

## 3 APPLY DEVICE

- Lock stile case installation - Undog chassis (when applicable) and remove cover. Mount lock stile case chassis with 4 screws. Make sure **LEVER EXTENSION** is under the **LIFTING BARS**.
- CHECK OPERATION** - Latchbolt should be fully extended when touchbar is in extended position. Latchbolt should be fully retracted when touchbar is depressed or device is dogged down. If above condition does not exist, adjust the **LEVER EXTENSION** with **SET SCREW**.
- Hinge stile case installation - Undog chassis (when applicable) and remove cover. Mount lock stile case chassis with 4 screws.
- Attach all covers and Lock Scalp.
- Check cross bar length per illustration. Cut cross bar if required and install per illustration.



## 4 APPLY STRIKE

**STRIKE 310-57**  
open back strike for inactive  
leaf of pairs of doors

Vertical Centerline of all Strikes corresponds to Vertical Centerline of Lock Face.

