



11-KR-822
REV. A

INSTALLATION INSTRUCTIONS

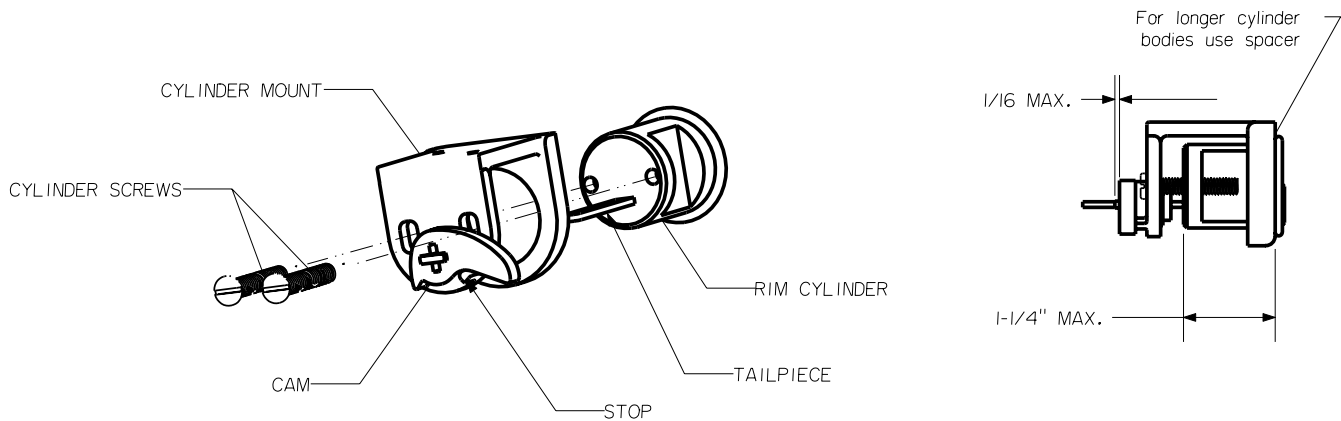
Key Removable Mullion

KR-822 and FL-KR-822



Precision Hardware
Romulus, MI

- 1 With the key removed, install the rim cylinder through the cylinder mount and insert the tailpiece into the slot of the cam, the cam should be resting on the stop, see illustration below. After installing the screw on the left, use the key to move the cam to gain access for the second screw.



- 2 With the Key removed, Insert the Cylinder Assembly into the Head Cap Assembly and attach with 2 screws. Check for proper operation; turning the key should cause the latch to move freely.

