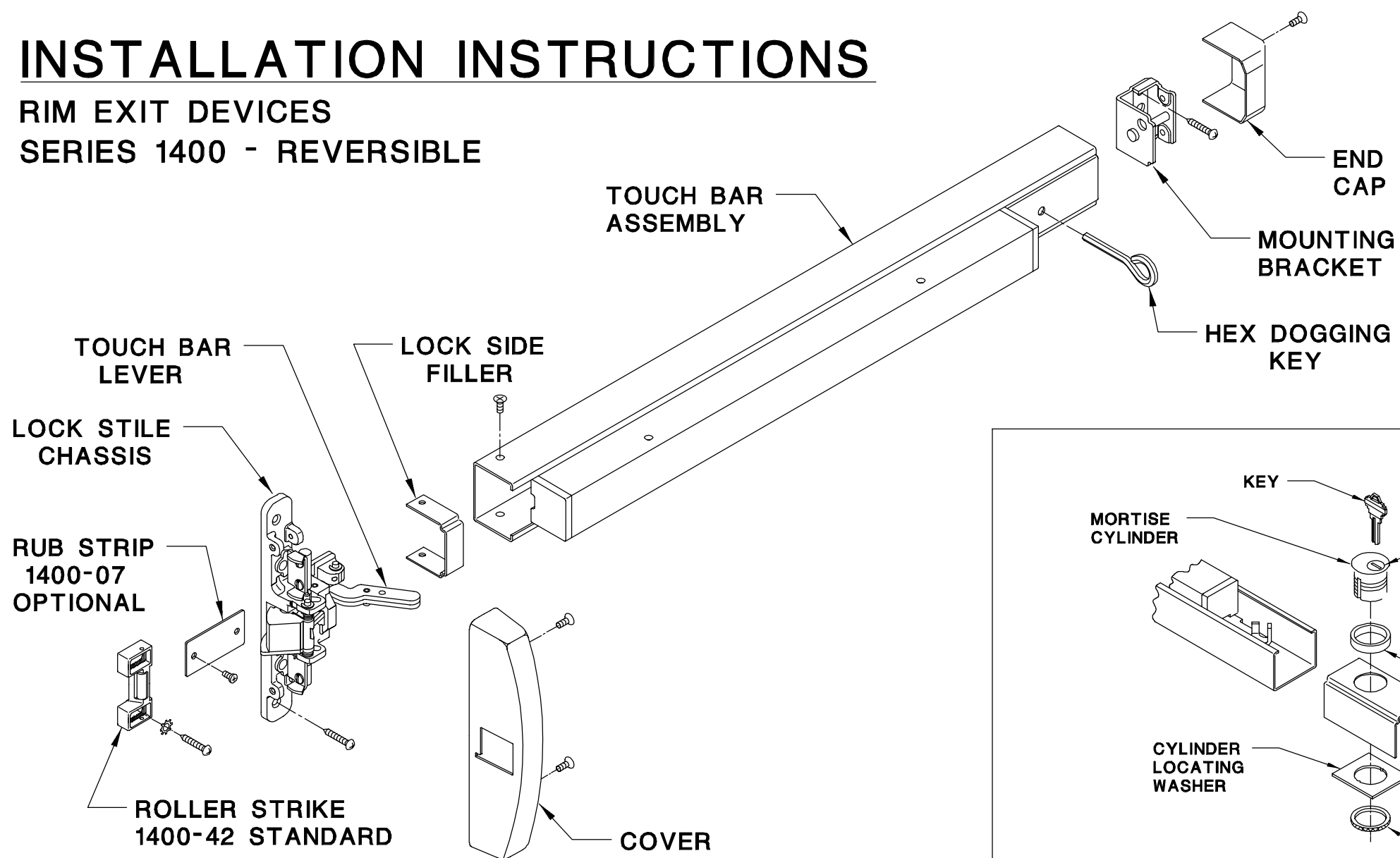


# INSTALLATION INSTRUCTIONS

## RIM EXIT DEVICES SERIES 1400 - REVERSIBLE



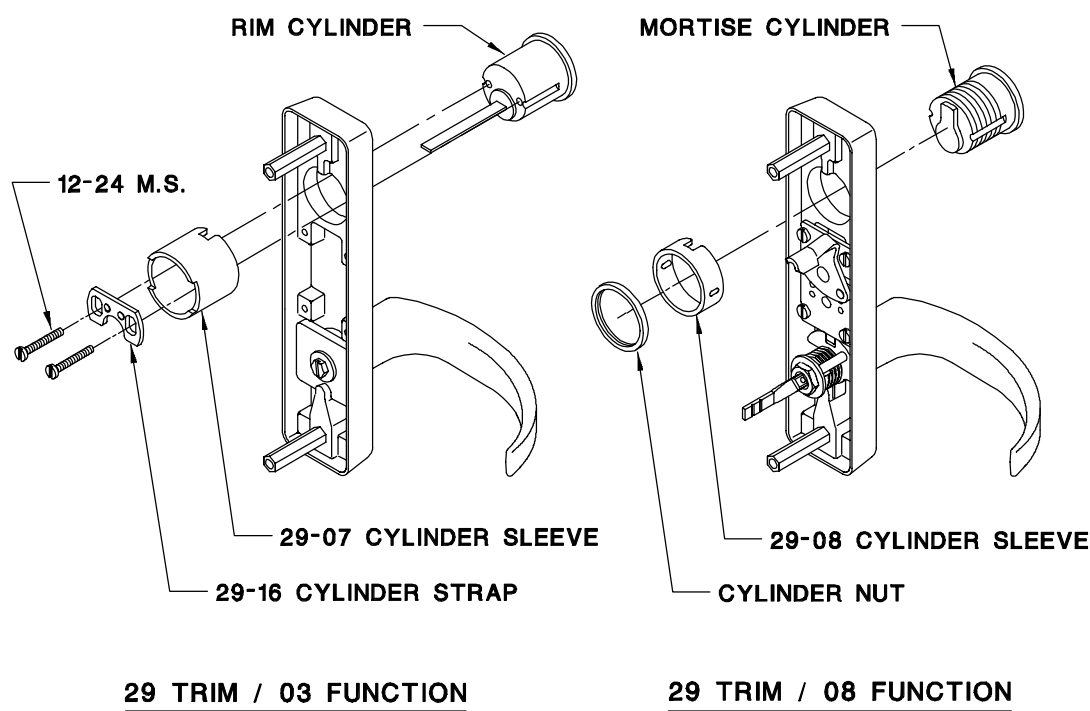
# OPTIONAL CYLINDER DOGGING

## CYLINDER INSTALLATION INSTRUCTIONS 1-1/4" LONG STANDARD MORTISE CYLINDER REQUIRED

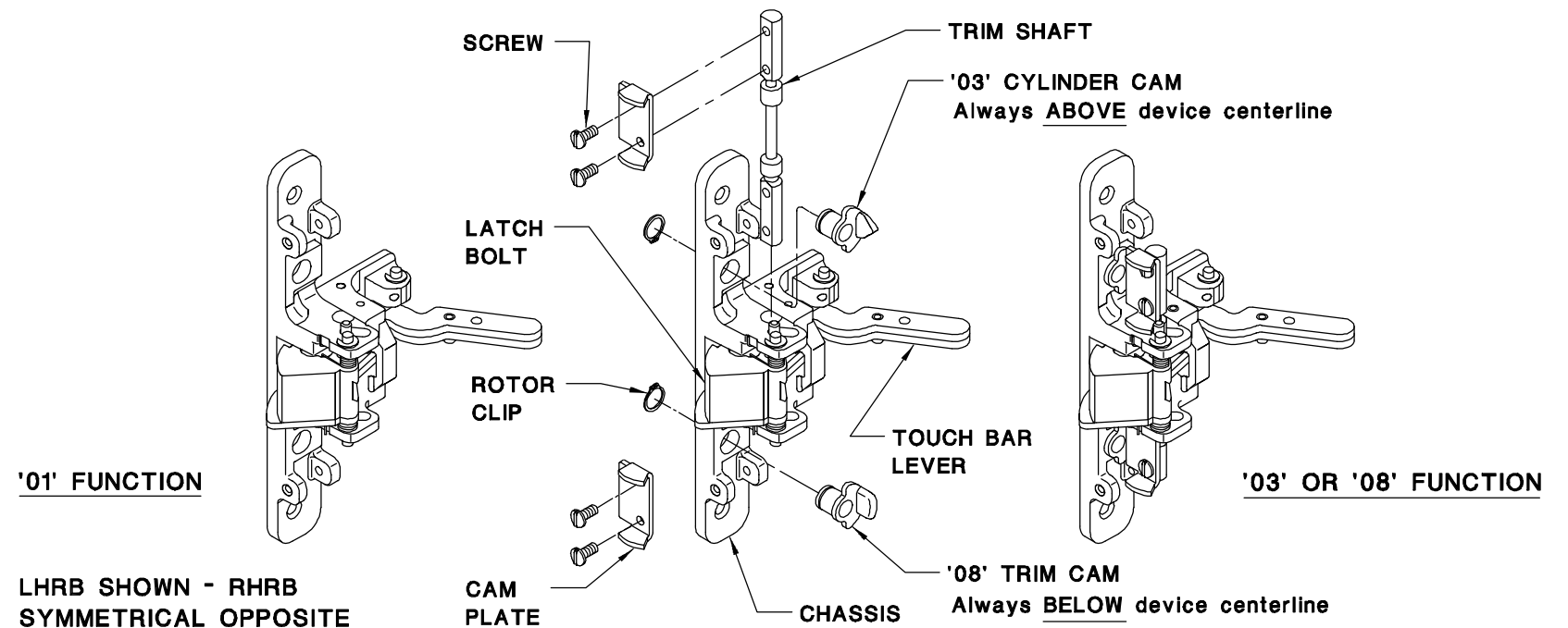
- Slide hinge side filler out of channel.
- Install cylinder.
  - Insert cylinder locating washer inside the hinge side filler.
  - Place blocking ring on outside of hinge side filler.
  - Position cylinder in hinge side filler with cylinder core away from touch bar end.
  - Fasten cylinder with locknut.
- Slide hinge side filler into the channel. (Dogging cam must be in dogged down position)

## CYLINDER INSTALLATION

- For 29 TRIM, 03 FUNCTION:
  - Insert Rim Cylinder into Escutcheon.
  - Align Cylinder Sleeve and place over Cylinder.
  - Place Cylinder Strap onto Cylinder Sleeve.
  - Insert screws and secure.
- For 29 TRIM, 08 FUNCTION:
  - Insert Mortise Cylinder into Escutcheon.
  - Align Cylinder Sleeve and place over Cylinder.
  - Thread Cylinder Nut onto Cylinder and secure.



## CHANGING DEVICE HAND OR FUNCTION



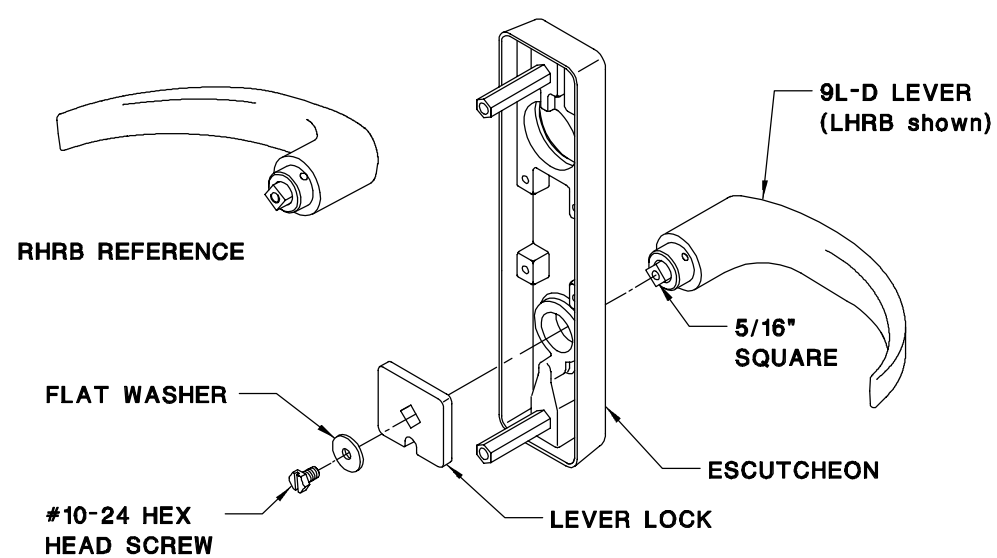
**CHANGING HAND FOR EXIT ONLY DEVICES**  
No changing of parts necessary. Simply apply per door handing requirement.

- CHANGING HAND FOR DEVICES WITH OUTSIDE FUNCTIONS**
- Remove screws and Cam Plates from Trim Shaft.
  - Slide Trim Shaft out of Chassis.
  - Remove Rotor Clip and Cam from Chassis.
  - Insert "03" or "08" Cam into Chassis with raised edge towards the Touch Bar side of the device as shown and fasten with Rotor Clip.
  - Insert Trim Shaft into side of Chassis with flat as shown.
  - Attach both Cam Plates to Trim Shaft with screws and secure.

- CHANGING FROM '01' TO '03' OR '08' FUNCTION**  
"03" REQUIRES N-03 CONVERSION KIT  
"08" REQUIRES N-08 CONVERSION KIT
- Insert "03" or "08" Cam into Chassis with raised edge towards the Touch Bar side of the device as shown and fasten with Rotor Clip.
  - Insert Trim Shaft into side of Chassis with flat as shown.
  - Attach both Cam Plates to Trim Shaft with screws and secure.
- CHANGING FROM '03' OR '08' TO '01' FUNCTION**
- Remove screws and Cam Plates from Trim Shaft.
  - Slide Trim Shaft out of Chassis.
  - Remove Rotor Clip and Cam from Chassis.

## 29 TRIM - CHANGE HANDING

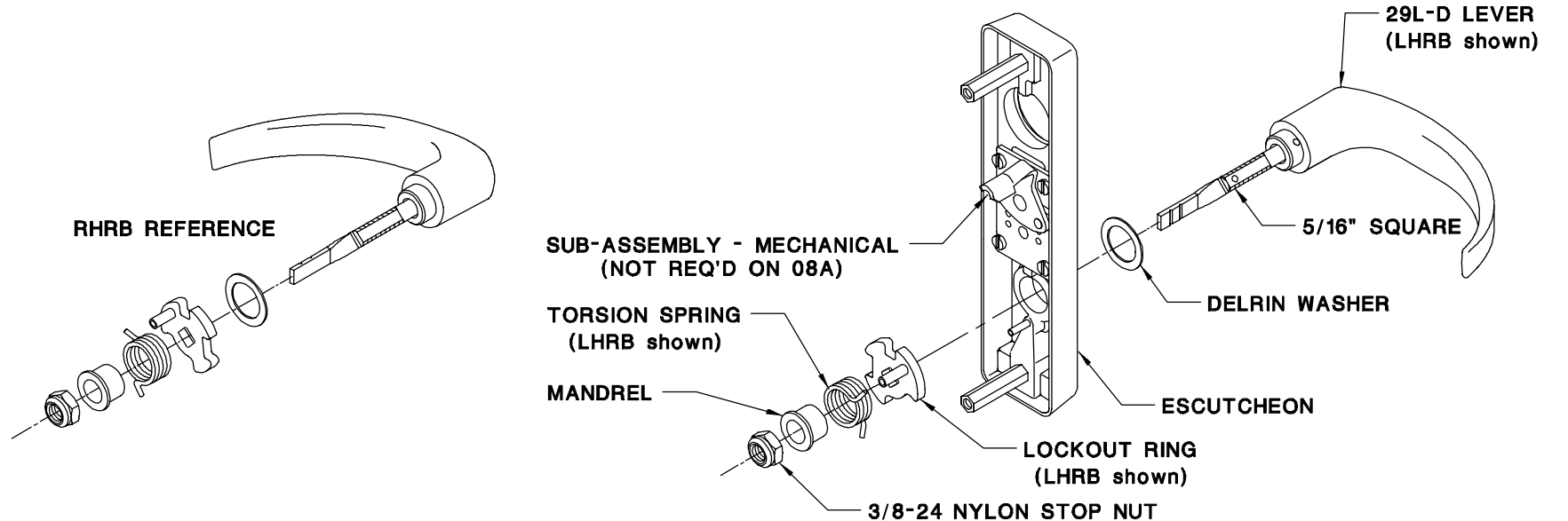
FUNCTION 02 and 03



- DISASSEMBLY:**
- Remove #10-24 Hex Head Screw and Flat Washer
  - Remove Lever
- REASSEMBLY:**
- Insert the Lever into Escutcheon (Lever LHRB shown - rotate 180 for RHRB installation).
  - Position Lever Lock on 5/16" square as shown.
  - Install Flat Washer and #10-24 Hex Head Screw & tighten securely.

## 29 TRIM - CHANGE HANDING

FUNCTION 08 and 08A



- DISASSEMBLY:**
- Remove Nylon Stop Nut, Mandrel and Torsion Spring.
  - Remove Lever with Washer and Lockout Ring from Escutcheon.
- REASSEMBLY:**
- Insert the Lever with Washer into Escutcheon. LHRB Assembly shown. For RHRB:
    - Rotate the Lever 180
    - On Lockout Ring, tap Rollpin through to other side.
    - Rotate Lockout Ring and Torsion Spring 180
  - Position Lockout Ring, Torsion Spring and Mandrel on 5/16" square as shown and secure with Nylon Stop Nut. The Lever mechanism should work freely. If it does not, slightly loosen Stop Nut.