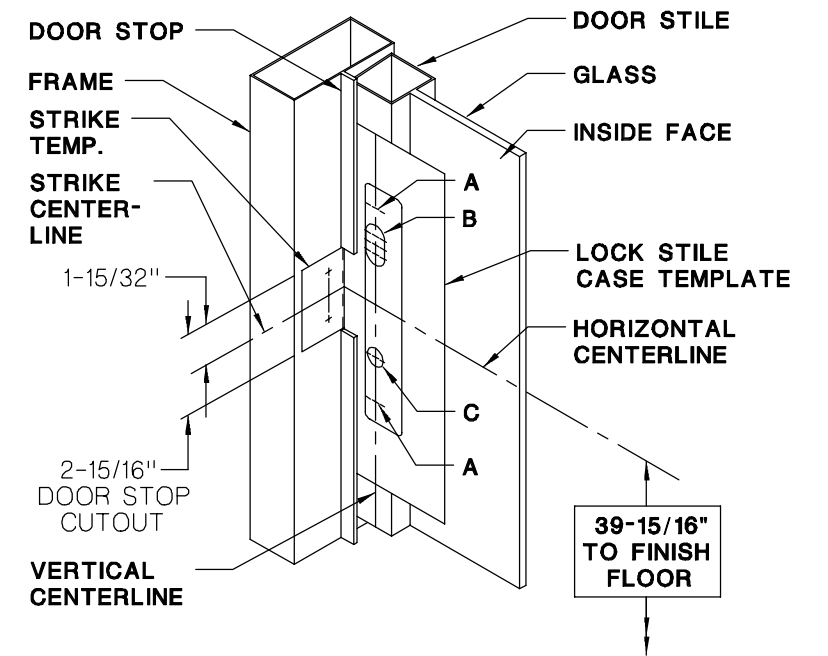


# 1 DOOR PREPARATION

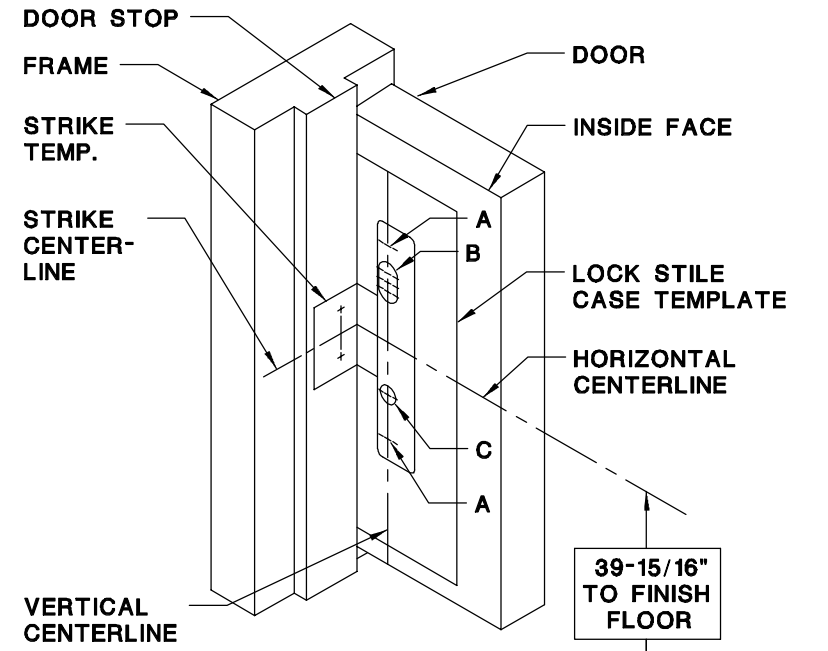
- Circle the following.
  - STRIKE NO.**, Dimension **'X'**, and **BACKSET** in chart for the appropriate application and strike.
  - DEVICE NO.** and **GROUP NO.** in **'HOLE DRILLING SCHEDULE'**.
- Close door. Mark horizontal centerline on inside face of door and on frame 39-15/16" from finish floor as shown. (Continue horizontal centerline to outside face of door if Trim is specified).
- Mark vertical centerline at lock side using dimension **'X'**. (Mark vertical centerline at lock side using backset dimension on outside face of door if Trim is specified). **CAUTION:** Vertical centerlines on both sides of the door should be the same dimension from the edge of the door.
- Cut out lock side door stop as shown for Aluminum Frames only.
- Tape Lock Stile Case Template (and Trim Template if Trim specified) to the door so that centerlines on the Template line up with centerlines on door. Mark centers for the Holes required per the **'HOLE DRILLING SCHEDULE'** (and Trim Template if Trim specified).
- Fold Strike Template. Place on door stop with smaller flap against the door so that horizontal centerline on template lines up with horizontal centerline on door stop and door. Mark centers for 2-screw holes on door stop.
- Drill holes in door and frame as directed on templates.
- For 1403 Device less Trim see **STEP 3** below.

HOLE DRILLING SCHEDULE					
GROUP	DEVICE NO.	A	B1	B2	C
1	1401, 1402	YES	NO	NO	NO
2	1403	YES	YES	YES	NO
3	1408	YES	YES	NO	YES
4	1408A	YES	NO	NO	YES

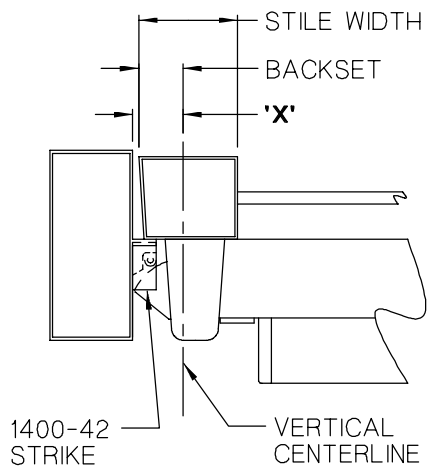
	ALUMINUM		HOLLOW METAL	
	SINGLE DOOR	PAIR OF DOORS	SINGLE DOOR	PAIR OF DOORS
<b>STRIKE No.</b>	1400-42	1400-42	1400-42	1400-42
<b>DIMENSION "X"</b>	1-3/16"	1-3/16"	1-3/16"	1-3/16"
<b>BACKSET</b>	1-1/16"	2-1/8"	1-11/16"	2-1/8"
<b>STILE WIDTH</b>	1-3/4" MINIMUM	3" MINIMUM	3" MINIMUM	3" MINIMUM



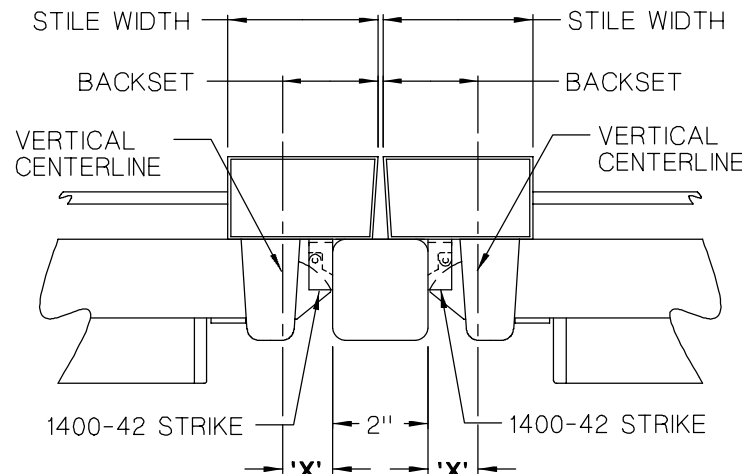
ALUMINUM DOOR APPLICATION



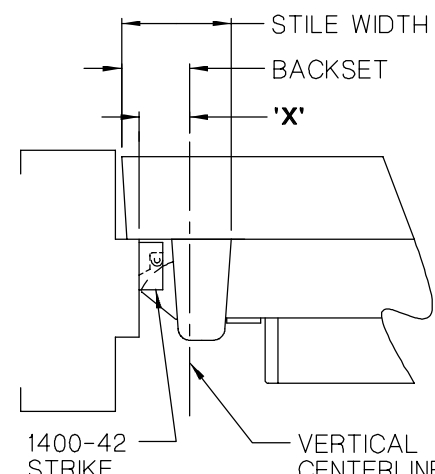
HOLLOW METAL DOOR APPLICATION



SINGLE ALUMINUM DOOR WITH RIM DEVICE

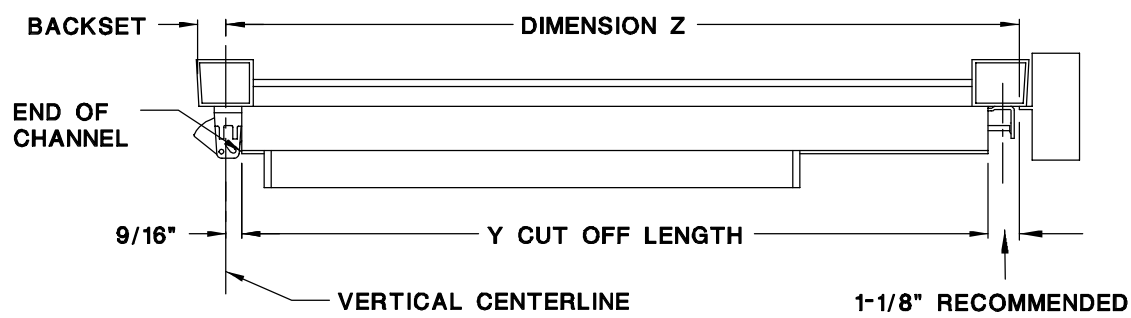


PAIR OF DOORS WITH RIM DEVICE & 811 MULLION

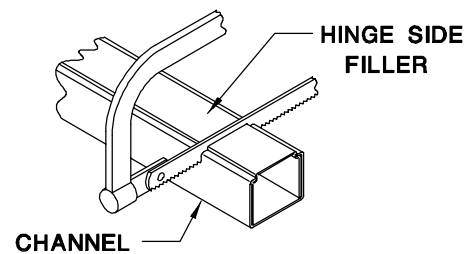


SINGLE HOLLOW METAL DOOR WITH RIM DEVICE

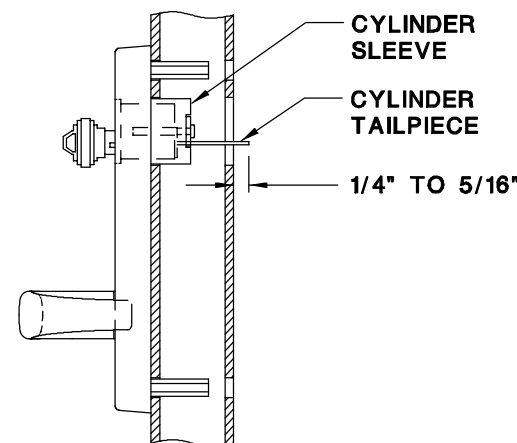
# 2 CUT DEVICE - IF REQUIRED



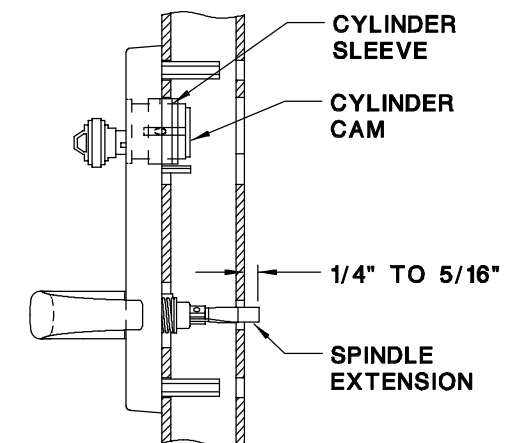
- Determine cut off length **"Y"** by subtracting 1-11/16" from dimension **"Z"**.
- Mark cut off point (hinge side filler must be all the way inside of channel).
- Cut off channel and hinge side filler and deburr.



# 4 APPLY TRIM - WHEN SPECIFIED



29 TRIM, '03' FUNCTION



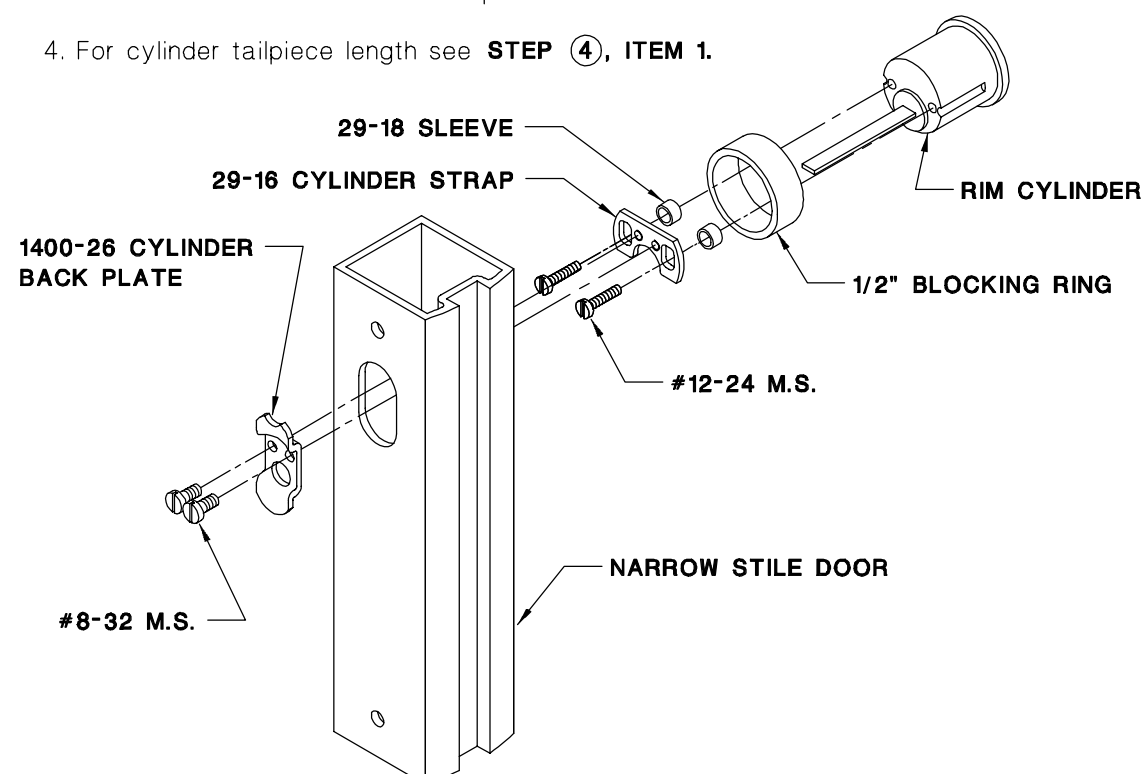
29 TRIM, '08' FUNCTION

- For Devices in **GROUP 2** with no trim, check length of cylinder tailpiece as shown for "03" function.
- For Devices in **GROUP 2 & 3**, install cylinder according to **CYLINDER INSTALLATION** sheet packed with trim and check length of cylinder tailpiece as shown.
- For Devices in **GROUP 3 & 4**, check length of **SPINDLE EXTENSION** as shown.

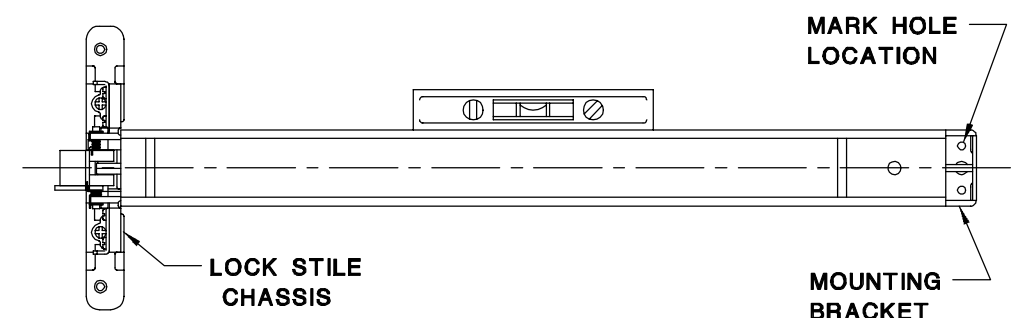
# 3 CYLINDER ONLY INSTALLATION

REQUIRES NCA-03 CYLINDER KIT

- Attach Cylinder Strap and Sleeves to the Rim Cylinder with (2) #12-24 machine screws.
- Insert Rim Cylinder thru Blocking Ring and outside hole as shown.
- Position Cylinder Back Plate on inside of door as shown centered in the hole in the door and with the cylinder tailpiece thru the hole in the backplate. Secure with (2) #8-32 machine screws provided.
- For cylinder tailpiece length see **STEP 4**, ITEM 1.



# 5 APPLY DEVICE



- Mount Lock Stile Chassis with 2-screws. For devices with outside functions follow A & B below.
  - For Devices in **GROUP 2**, insert cylinder tailpiece into **TRIM CAM** in lock stile chassis.
  - For devices in **GROUP 3 & 4**, insert spindle tailpiece into **TRIM CAM** in lock stile chassis.**NOTE:** Devices with electrical features, see additional information packed with that product.
- Insert Mounting Bracket into touch bar assembly tight against the channel. Level device, mark and drill 2 holes for #10 sheet metal screws or #10-24 machine screws. Fasten Mounting Bracket to door and attach End Cap to Mounting Bracket with 2 screws.
- Fasten Strike to frame and adjust Strike so that device latches tightly without binding.
- Attach Cover to Lock Stile Chassis.

