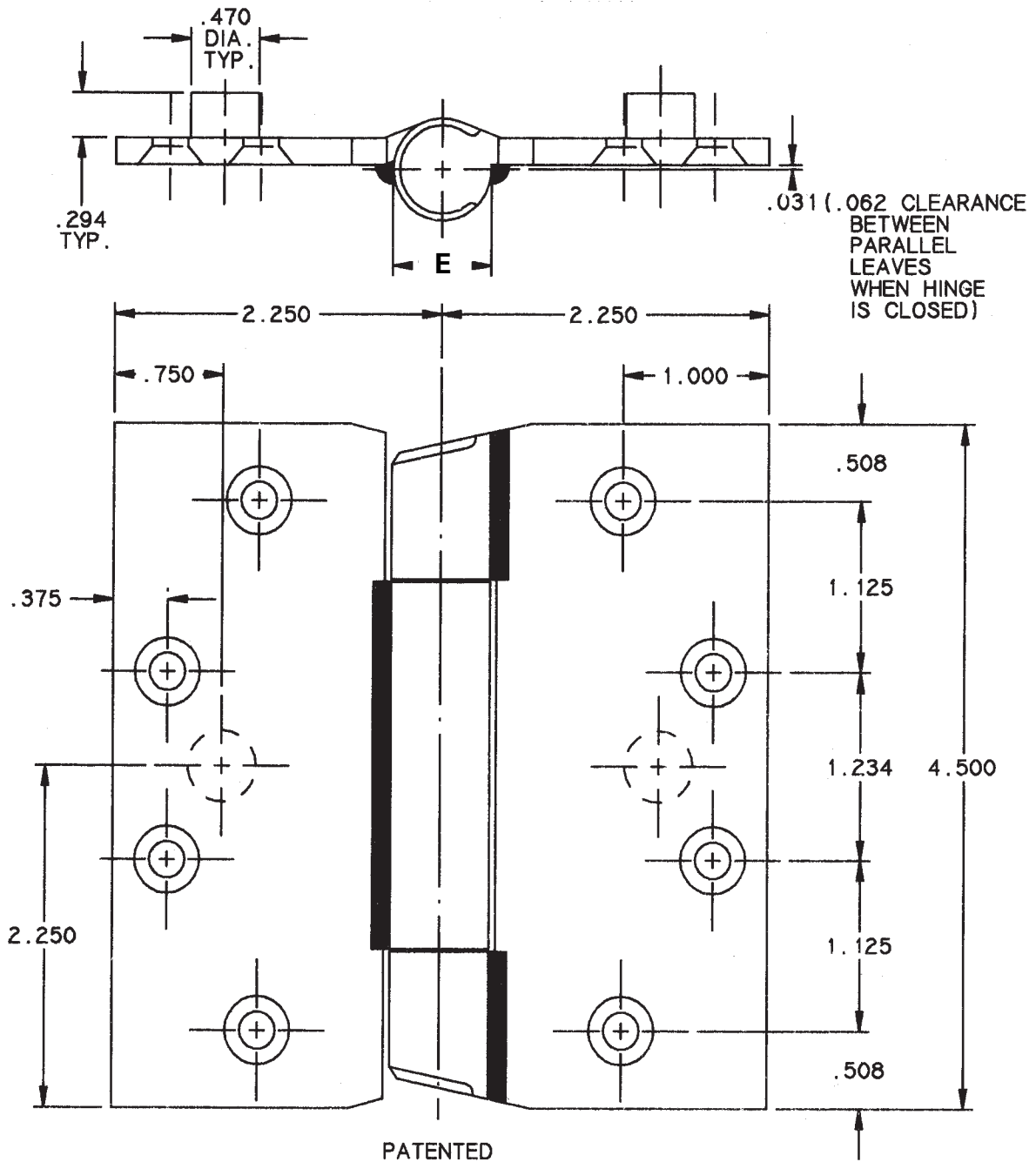


**FULL MORTISE TEMPLATE BUTT HINGES WITH SHEAR RESISTANT STUD**

Size: 4½ × 4½"



Steel Hinges	Stainless Steel	Gauge of Metal	(E) Outside Diameter
IHTCB1901 x SRS	IHTCB1961 x SRS	0.180	0.690
IHTCB1901R x SRS	IHTCB1961R x SRS	0.180	0.698

Machine Screw Size: ½ × 12-24 FH.

This template conforms to ANSI standard A156.7.