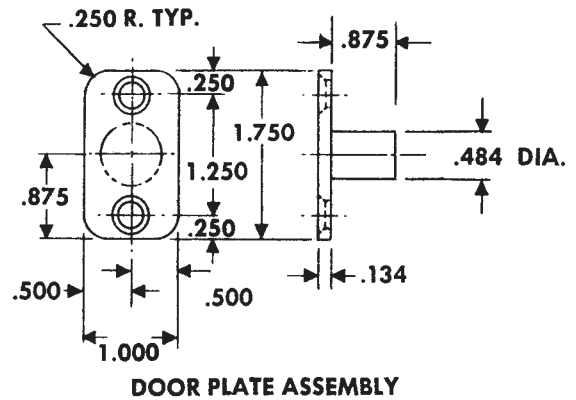
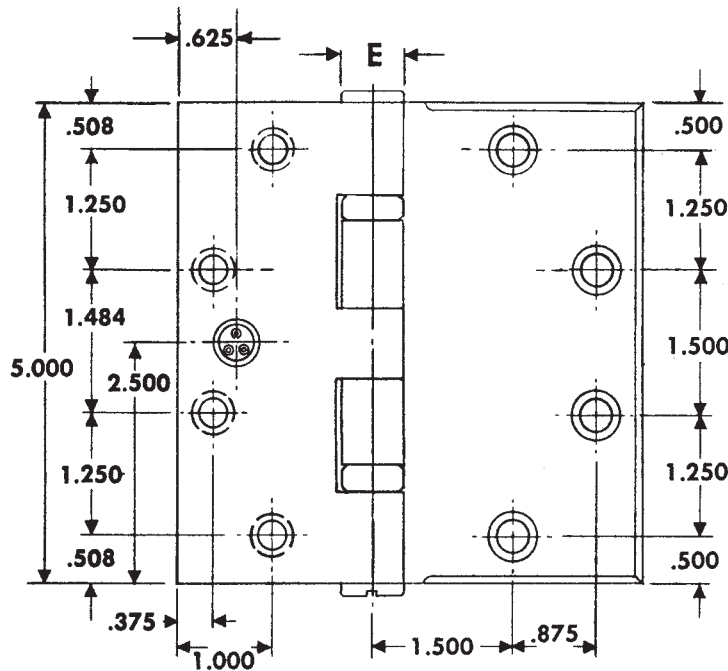
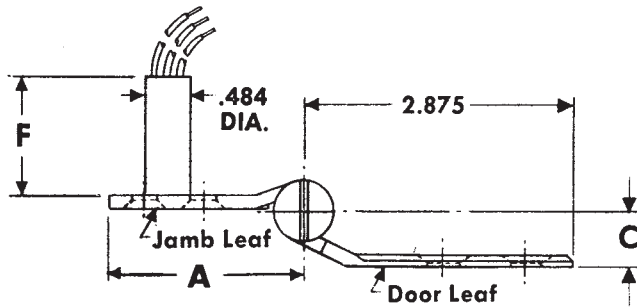


HALF SURFACE TEMPLATE HINGES WITH CONCEALED SWITCH

Size: 5"



Contractor should be cautioned to prevent mortar from interfering with wiring.



DO NOT SCALE

NOTES:

- 1 0.750 diameter is the recommended hole size for switch housing clearance.
- 2 It is suggested that the hinge be mounted in the center or lower position on the door, rather than the top.
- 3 Switch mounts in jamb leaf. Arrangement for R.H. door shown. Specify hand when ordering.
- 4 Use JB-2R Junction Box. See Template T90-38.

CLASS NO.		(A)	(C)	(E)	(F)
Steel Hinges	Gauge of Metal	Jamb Leaf	Door Leaf Offset	Outside Diameter	
CSCB173	0.146	2 1/16	9/16	0.669	1.218
CSFBB173	0.146	2 1/16	9/16	0.669	1.218
CSCB1910	0.146	2 1/32	17/32	0.580	1.218
CSCB1910R	0.146	2 1/16	9/16	0.669	1.218
CSCB163	0.190	2 1/8	5/8	0.748	1.172
CSFBB163	0.190	2 1/8	5/8	0.748	1.172
CSCB1911	0.190	2 3/32	19/32	0.715	1.172
CSCB1911R	0.190	2 1/8	5/8	0.748	1.172

Machine Screw Size — Jamb Leaf — 12-24 x 1/2 F.H.

Door Leaf — 1/4-20 x 2 O.H.M.S. with grommet nut

Door Plate Assembly — No. 10 x 1 FL. HD. WD. SCRS.

This template conforms with ANSI standard A156.7.