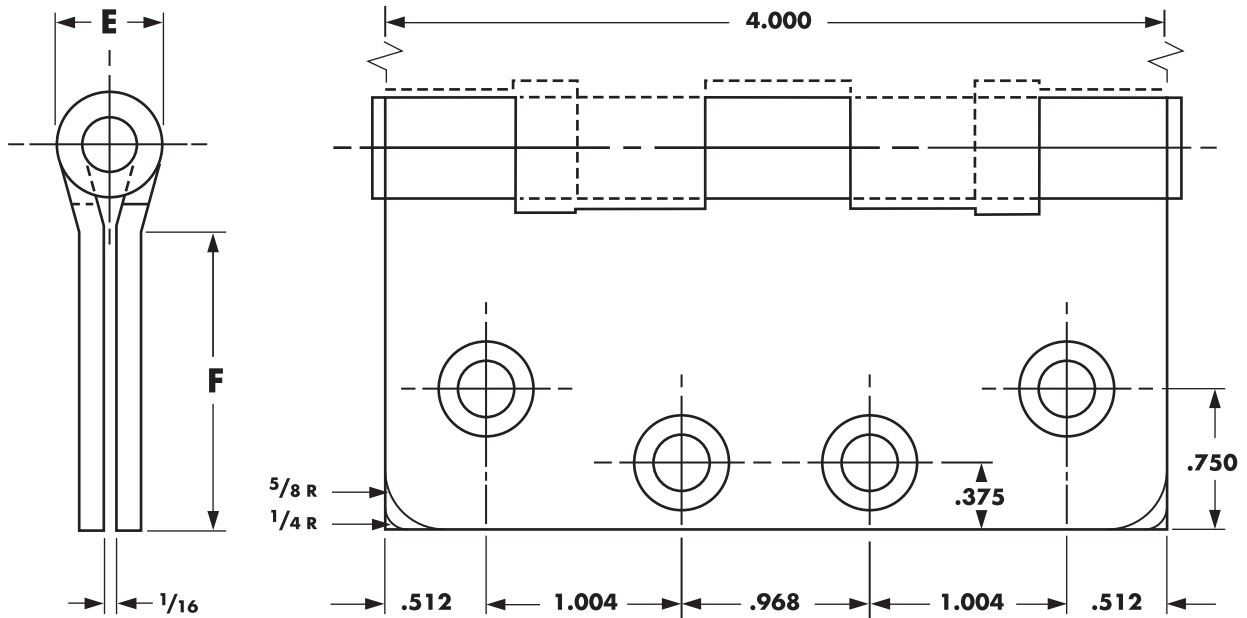


**Template No. T40-01**  
**FULL MORTISE TEMPLATE BUTT HINGES**

Sizes: 4 x 3½\*, 4 x 4, 4 x 5, 4 x 6 and 4 x 7"



**DO NOT SCALE**

CLASS NUMBER		Gauge of Metal	(E) Outside Diameter	DISTANCE FROM EDGE OF LEAF TO SWAGE LINE (F)				
Steel Hinges	Nonferrous Hinges			4 x 3½	4 x 4	4 x 5	4 x 6	4 x 7
F179	F191	0.130	0.560	1 5/16	1 5/8	2 1/16	2 9/16	3 1/16
1900	1960	0.130	0.540	1 5/16	1 5/8	—	—	—
1900R	1960R	0.130	0.560	1 5/16	1 5/8	2 1/16	2 9/16	3 1/16
CB179	CB191	0.130	0.590	1 5/16	1 5/8	2 1/16	2 9/16	3 1/16
FBB179	FBB191	0.130	0.590	1 5/16	1 5/8	2 1/16	2 9/16	3 1/16
CB1900	CB1960	0.130	0.540	—	1 5/8	—	—	—
CB1900R	CB1960R	0.130	0.590	1 5/16	1 5/8	2 1/16	2 9/16	3 1/16

Template hinges of the hospital type conform to above screw hole location.  
 Hospital type hinges are designated by prefix "HT" to class number.  
 Also available "RD" radius corners (1/4 or 5/8).

Machine Screw Size — ½ x 12-24 F.H.  
 Wood Screw Size — 1¼ x No. 12 F.H.

This template conforms with ANSI standard A156.7.

\*4 x 3 1/2 template can be used on doors 1 3/8 minimum thickness.