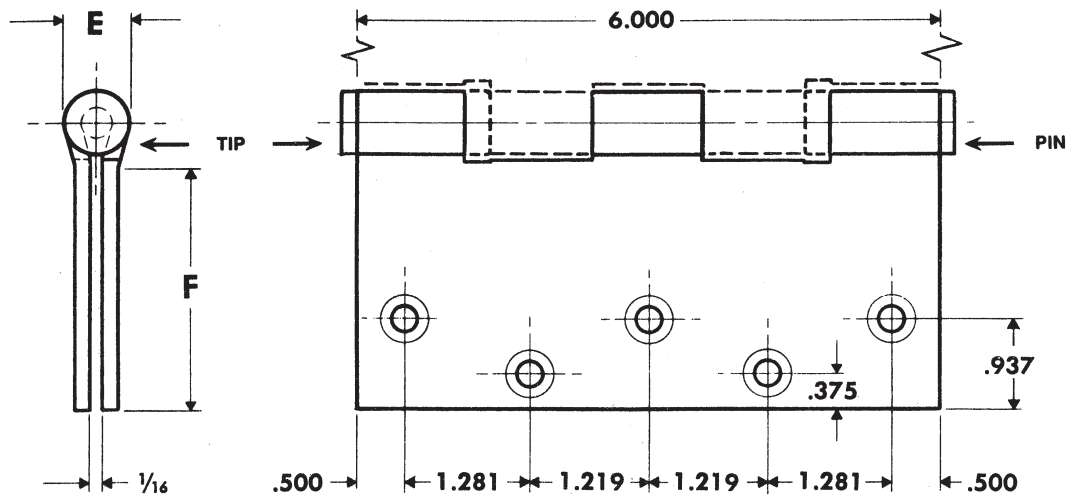


Template No. T60-01
FULL MORTISE TEMPLATE BUTT HINGES

Sizes: 6 × 4½, 6 × 5 and 6 × 6"



DO NOT SCALE

CLASS NUMBER		Gauge of Metal	(E) Outside Diameter	DISTANCE FROM EDGE OF LEAF TO SWAGE LINE (F)		
Steel Hinges	Nonferrous Hinges			6 × 4½	6 × 5	6 × 6
F179	—	0.160	0.725	1 23/32	1 31/32	2 15/32
1900R	—	0.160	0.725	1 23/32	1 31/32	2 15/32
CB179	CB191	0.160	0.735	1 23/32	1 31/32	2 15/32
FBB179	FBB191	0.160	0.735	1 23/32	1 31/32	2 15/32
CB1900R	CB1960R	0.160	0.735	1 23/32	1 31/32	2 15/32
CB168	CB199	0.203	0.847	1 1/2	1 3/4	2 1/4
FBB168	FBB199	0.203	0.847	1 1/2	1 3/4	2 1/4
CB1901	CB1961	0.203	0.735	1 3/4	2	2 1/2
CB1901R	CB1961R	0.203	0.847	1 1/2	1 3/4	2 1/4

Template hinges of the hospital type conform to above screw hole location. Hospital type hinges are designated by prefix "HT" to class number.

Machine Screw Size — ½ × ¼-20 F.H.

Wood Screw Size — 1½ × No. 14 F.H.

This template conforms with ANSI standard A156.7.