

10

SERVICING EXIT HARDWARE TRIM ESCUTCHEON PARTS

This chapter contains instructions for servicing escutcheon parts for Electronic Stand-Alone Exit Hardware Trim. For instructions for servicing outside escutcheon parts for standard Electronic Stand-Alone Locks, see [page 9-1](#).

- To remove all of the parts from the Electronic Stand-Alone escutcheon, perform all of the steps for removing parts in each section of this chapter. Begin with the mounting standoffs ([page 10-2](#)).
- To reinstall all of the parts in the Electronic Stand-Alone escutcheon, perform all of the steps for reinstalling parts in each section of this chapter. Begin with the shear pin ([page 10-29](#)).
- To change the handing for the Electronic Stand-Alone escutcheon, see [page 10-30](#).
- To service an individual part, see the section for that part. The instructions refer to other sections as necessary.

If you need to service...	See...
Mounting standoffs	page 10-2
Escutcheon gasket	page 10-3
Lift finger	page 10-4
Mounting plate	page 10-6
Lever return springs	page 10-8
Primary harness	page 10-9
Control electronics board	page 10-10

If you need to service...	See...
Reader assembly	page 10-13
Motor assembly	page 10-16
Locking plate	page 10-20
Yoke	page 10-22
Beam and beam roller	page 10-24
Lever assembly	page 10-26
Shear pin	page 10-28

Note: When servicing components, always test that the lock works properly when you're finished.

SERVICING THE MOUNTING STANDOFFS

Removing the mounting standoffs

1. Remove the escutcheon from the door. See [page 8-13](#).
2. Unscrew the 6 mounting plate standoffs from the mounting plate.

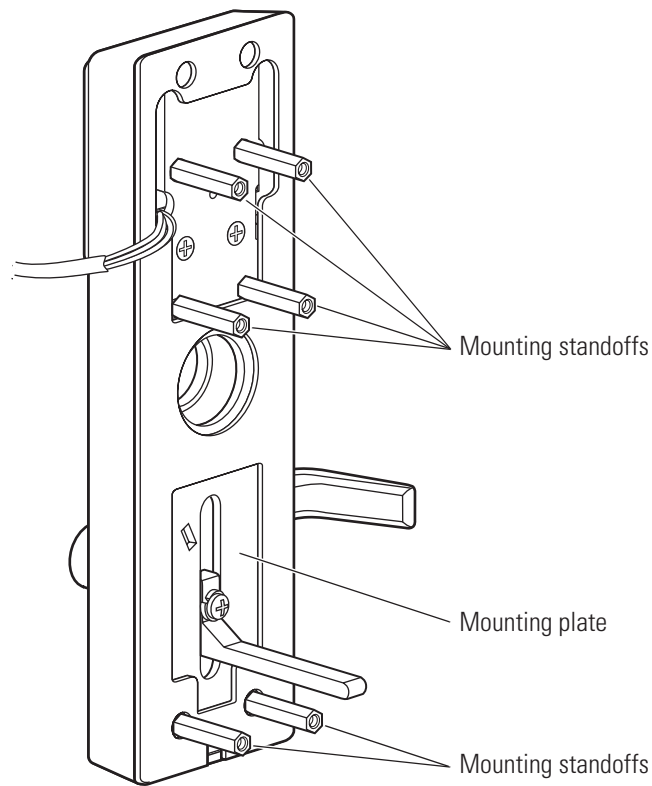


Figure 10.1 Removing and reinstalling the mounting standoffs

Reinstalling the mounting standoffs

1. Screw the 6 mounting standoffs onto the mounting plate.
2. Reinstall the escutcheon on the door. See [page 8-14](#).

SERVICING THE ESCUTCHEON GASKET

Each time you service the escutcheon gasket you need to replace it with a new gasket. Use part number C64564 when ordering.

Removing the escutcheon gasket

1. Remove the followings parts:
 - escutcheon from the door ([page 8-13](#))
 - mounting standoffs ([page 10-2](#)).
2. Peel the gasket off the escutcheon and discard. See [Figure 10.2](#).

Note: You may need to scrape remnants of the gasket from the escutcheon.

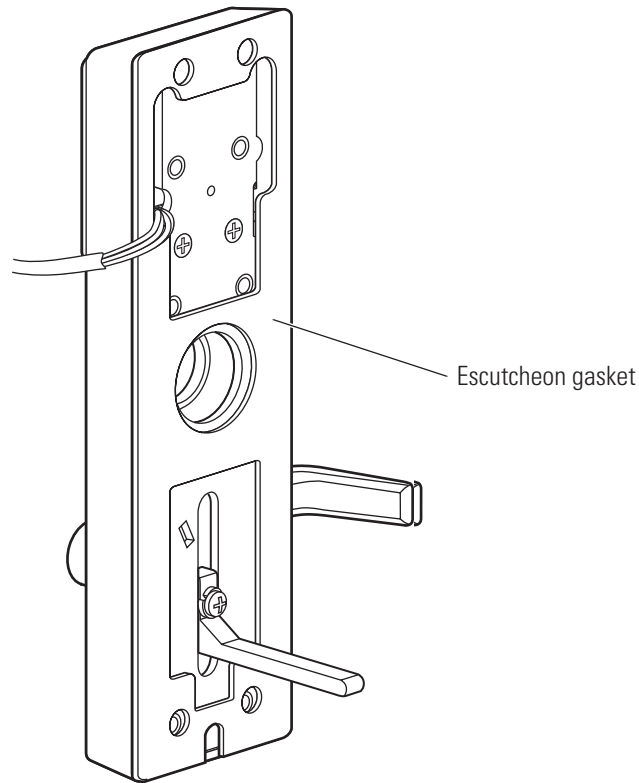


Figure 10.2 Removing and reinstalling the escutcheon gasket

Reinstalling the escutcheon gasket

1. Starting at the bottom of the gasket, peel away the protective backing a small amount at a time while unrolling the gasket into position on the escutcheon.
2. Press the gasket into place on the escutcheon. See [Figure 10.2](#).
3. Reinstall the following parts:
 - mounting standoffs ([page 10-2](#))
 - escutcheon on the door ([page 8-14](#)).

SERVICING THE LIFT FINGER

Each time you service the lift finger you need to replace the following parts with new parts:

- escutcheon gasket (C64564)
- lift finger screw (page 4-9).

Removing the lift finger

1. Remove the following parts:
 - escutcheon from the door (page 8-13)
 - mounting standoffs (page 10-2)
 - escutcheon gasket (page 10-3).
2. Note the orientation of the lift finger. See [Figure 10.3](#).
3. Remove the lift finger screw and discard.
4. Remove the washer, and lift finger.

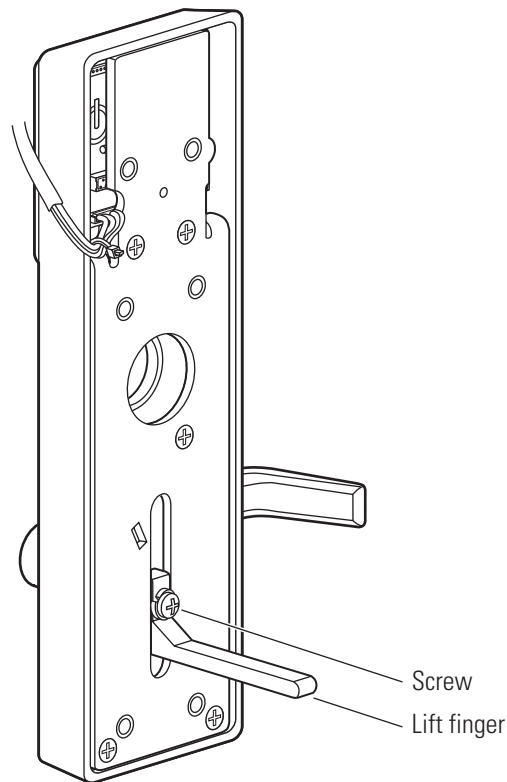


Figure 10.3 Removing and reinstalling the lift finger (Precision Hardware rim configuration shown)

Reinstalling the lift finger

1. Position the lift finger on the escutcheon in the orientation noted in step 2 on [page 10-4](#).
2. Position the washer on the lift finger screw. Tightly secure the lift finger with the lift finger screw (25-30 lbs. torque). See [Figure 10.3](#).
3. Reinstall the following parts:
 - escutcheon gasket ([page 10-3](#))
 - mounting standoffs ([page 10-2](#))
 - escutcheon on the door ([page 8-14](#)).

SERVICING THE MOUNTING PLATE

Each time you service the mounting plate you need to replace the following parts with new parts:

- escutcheon gasket (C64564)
- cable tie
- lift finger screw (page 4-9)
- mounting plate screws (page 4-9).

Removing the mounting plate

1. Remove the following parts:
 - escutcheon from the door (page 8-13)
 - mounting standoffs (page 10-2)
 - escutcheon gasket (page 10-3)
 - lift finger (page 10-4).
2. Cut the cable tie off the mounting plate post and discard the cable tie. See Figure 10.4.

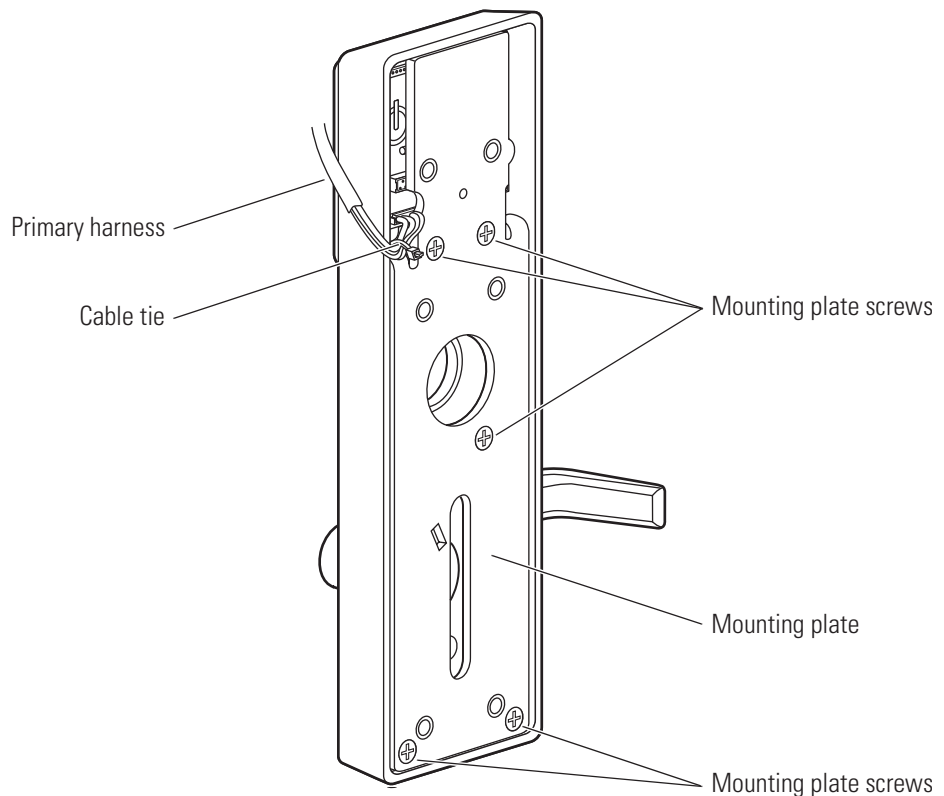


Figure 10.4 Removing and reinstalling the mounting plate

3. Remove the 5 mounting plate screws and discard.
4. Carefully remove the mounting plate from the escutcheon.



Caution

Reinstalling the mounting plate

Be careful not to drop the lever return springs on the control electronics board. They can easily damage the electronics.

1. With the posts on the mounting plate inserted in the lever return springs, slide the mounting plate into the escutcheon. See [Figure 10.5](#).

Make sure that the locking plate fits into the slot in the mounting plate. See [Figure 10.4](#).

2. Install the 5 new mounting plate screws.
3. Route the primary harness against the mounting plate post and secure the harness to the post with a cable tie. See [Figure 10.4](#).
4. Reinstall the following parts:
 - lift finger ([page 10-5](#))
 - escutcheon gasket ([page 10-3](#))
 - mounting standoffs ([page 10-2](#))
 - escutcheon on the door ([page 8-14](#)).

SERVICING THE LEVER RETURN SPRINGS

Each time you service the lever return springs you need to replace the following parts with new parts:

- escutcheon gasket (C64564)
- cable tie
- lift finger screw (page 4-9)
- mounting plate screws (page 4-9).

Removing the lever return springs

1. Remove the following parts:
 - escutcheon from the door (page 8-13)
 - mounting standoffs (page 10-2)
 - escutcheon gasket (page 10-3)
 - lift finger (page 10-4)
 - mounting plate (page 10-6).
2. Remove the lever return springs from the yoke. See Figure 10.5.

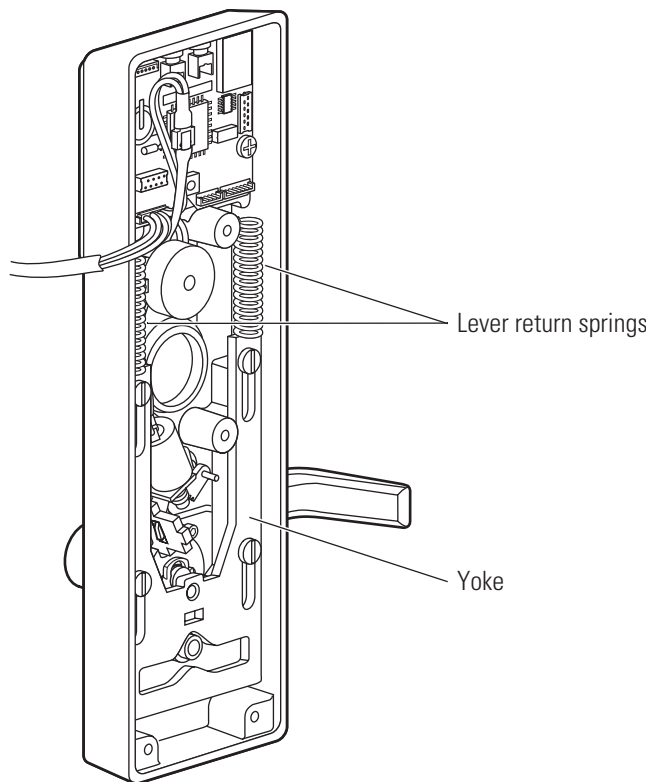


Figure 10.5 Removing and reinstalling the lever return springs escutcheon (B.A.S.I.S. shown)

Reinstalling the lever return springs

1. Install the lever return springs onto the yoke posts. See Figure 10.5.
2. Reinstall the following parts:
 - mounting plate (page 10-7)
 - lift finger (page 10-5)
 - escutcheon gasket (page 10-3)
 - mounting standoffs (page 10-2)
 - escutcheon on the door (page 8-14).

SERVICING THE PRIMARY HARNESS

A replacement kit is available for the B.A.S.I.S. primary harness. See [page 4-10](#). To replace a Keypad EZ primary harness, obtain a primary harness (C1444).

Each time you service the primary harness you need to replace the following parts with new parts:

- escutcheon gasket (C64564)
- cable tie
- lift finger screw ([page 4-9](#))
- mounting plate screws ([page 4-9](#))
- tape for mounting the sounder.



Caution

Before you handle the control electronics board or any component on the control electronics board, make sure that you are properly grounded using an electrostatic discharge (ESD) protection kit. Touching the control electronics board without proper grounding can damage sensitive electronic components—even if you don't notice any static discharge.

Removing the primary harness

1. Remove the following parts:
 - escutcheon from the door ([page 8-13](#))
 - mounting standoffs ([page 10-2](#))
 - escutcheon gasket ([page 10-3](#))
 - lift finger ([page 10-4](#))
 - mounting plate ([page 10-6](#)).
2. Perform steps 2 through 4 starting on [page 9-5](#).

Reinstalling the primary harness

1. Perform steps 1 through 3 starting on [page 9-6](#).
2. Reinstall the following parts:
 - mounting plate ([page 10-7](#))
 - lift finger ([page 10-5](#))
 - escutcheon gasket ([page 10-3](#))
 - mounting standoffs ([page 10-2](#))
 - escutcheon on the door ([page 8-14](#)).

SERVICING THE CONTROL ELECTRONICS BOARDS

Replacement kits are available for B.A.S.I.S. control electronics boards. See [page 4-5](#). To replace a Keypad EZ control electronics board, obtain a keypad control electronics board (B80963).

Each time you service the control electronics board you need to replace the following parts with new parts:

- escutcheon gasket (C64564)
- cable tie
- lift finger screw ([page 4-9](#))
- mounting plate screws ([page 4-9](#)).

Note: To determine whether a B.A.S.I.S. Lock has a B.A.S.I.S. G or B.A.S.I.S. V control electronics board, look at the label on the center of the board. B.A.S.I.S. G is labeled as BAGLKS. B.A.S.I.S. V is labeled as BA_LKS.

Removing the B.A.S.I.S. magnetic stripe control electronics board

1. Remove the following parts:
 - escutcheon from the door ([page 8-13](#))
 - mounting standoffs ([page 10-2](#))
 - escutcheon gasket ([page 10-3](#))
 - lift finger ([page 10-4](#))
 - mounting plate ([page 10-6](#))
 - primary harness ([page 10-9](#)).
2. Perform steps 2 and 3 on [page 9-8](#).

Reinstalling the B.A.S.I.S. magnetic stripe control electronics board

1. Perform steps 1 through 5 on [page 9-9](#).
2. Reinstall the following parts:
 - primary harness ([page 10-9](#))
 - mounting plate ([page 10-7](#))
 - lift finger ([page 10-5](#))
 - escutcheon gasket ([page 10-3](#))
 - mounting standoffs ([page 10-2](#))
 - escutcheon on the door ([page 8-14](#)).

**Removing the
B.A.S.I.S. smart card
control electronics
board**

1. Remove the following parts:
 - escutcheon from the door (page 8-13)
 - mounting standoffs (page 10-2)
 - escutcheon gasket (page 10-3)
 - lift finger (page 10-4)
 - mounting plate (page 10-6)
 - primary harness (page 10-9).
2. Perform steps 2 through 4 starting on page 9-10.

**Reinstalling the
B.A.S.I.S. smart card
control electronics
board**

1. Perform steps 1 through 5 starting on page 9-12.
2. Reinstall the following parts:
 - primary harness (page 10-9)
 - mounting plate (page 10-7)
 - lift finger (page 10-5)
 - escutcheon gasket (page 10-3)
 - mounting standoffs (page 10-2)
 - escutcheon on the door (page 8-14).

**Removing the
B.A.S.I.S. dual
validation control
electronics board**

1. Remove the following parts:
 - escutcheon from the door (page 8-13)
 - mounting standoffs (page 10-2)
 - escutcheon gasket (page 10-3)
 - lift finger (page 10-4)
 - mounting plate (page 10-6)
 - primary harness (page 10-9).
2. Perform steps 2 and 3 on page 9-14.

**Reinstalling the
B.A.S.I.S. dual
validation control
electronics board**

1. Perform steps 1 through 5 starting on page 9-15.
2. Reinstall the following parts:
 - primary harness (page 10-9)
 - mounting plate (page 10-7)
 - lift finger (page 10-5)
 - escutcheon gasket (page 10-3)
 - mounting standoffs (page 10-2)
 - escutcheon on the door (page 8-14).

Removing the B.A.S.I.S. V proximity control electronics board

1. Remove the following parts:
 - escutcheon from the door (page 8-13)
 - mounting standoffs (page 10-2)
 - escutcheon gasket (page 10-3)
 - lift finger (page 10-4)
 - mounting plate (page 10-6)
 - primary harness (page 10-9).
2. Perform steps 2 and 3 starting on page 9-16.

Reinstalling the B.A.S.I.S. V proximity control electronics board

1. Perform steps 1 through 3 on page 9-17.
2. Reinstall the following parts:
 - primary harness (page 10-9)
 - mounting plate (page 10-7)
 - lift finger (page 10-5)
 - escutcheon gasket (page 10-3)
 - mounting standoffs (page 10-2)
 - escutcheon on the door (page 8-14).

Removing the Keypad EZ control electronics board

1. Remove the following parts:
 - escutcheon from the door (page 8-13)
 - mounting standoffs (page 10-2)
 - escutcheon gasket (page 10-3)
 - lift finger (page 10-4)
 - mounting plate (page 10-6)
 - primary harness (page 10-9).
2. Perform steps 2 through 4 starting on (page 9-18).

Reinstalling the Keypad EZ control electronics board

1. Perform steps 1 through 3 on page 9-20.
2. Reinstall the following parts:
 - primary harness (page 10-9)
 - mounting plate (page 10-7)
 - lift finger (page 10-5)
 - escutcheon gasket (page 10-3)
 - mounting standoffs (page 10-2)
 - escutcheon on the door (page 8-14).

To replace a Keypad EZ reader obtain a Keypad reader (B60325).

SERVICING THE READER ASSEMBLIES

Replacement kits are available for the reader assemblies. See [page 4-4](#).

Each time you service the reader assembly you need to replace the following parts with new parts:

- escutcheon gasket (C64564)
- cable tie
- lift finger screw ([page 4-9](#))
- mounting plate screws ([page 4-9](#)).

Removing the B.A.S.I.S. magnetic stripe reader assembly

1. Remove the following parts:
 - escutcheon from the door ([page 8-13](#))
 - mounting standoffs ([page 10-2](#))
 - escutcheon gasket ([page 10-3](#))
 - lift finger ([page 10-4](#))
 - mounting plate ([page 10-6](#))
 - primary harness ([page 10-9](#))
 - electronics board ([page 10-10](#)).
2. Perform steps 2 and 3 starting on [page 9-21](#).

Reinstalling the B.A.S.I.S. magnetic stripe reader assembly

1. Perform steps 1 and 2 on [page 9-23](#).
2. Reinstall the following parts:
 - electronics board ([page 10-10](#))
 - primary harness ([page 10-9](#))
 - mounting plate ([page 10-7](#))
 - lift finger ([page 10-5](#))
 - escutcheon gasket ([page 10-3](#))
 - mounting standoffs ([page 10-2](#))
 - escutcheon on the door ([page 8-14](#)).

Removing the B.A.S.I.S. smart card reader assembly

1. Remove the following parts:
 - escutcheon from the door (page 8-13)
 - mounting standoffs (page 10-2)
 - escutcheon gasket (page 10-3)
 - lift finger (page 10-4)
 - mounting plate (page 10-6)
 - primary harness (page 10-9)
 - electronics board (page 10-11).
2. Perform steps 2 and 3 starting on page 9-24.

Reinstalling the B.A.S.I.S. smart card reader assembly

1. Perform steps 1 and 2 on page 9-26.
2. Reinstall the following parts:
 - electronics board (page 10-11)
 - primary harness (page 10-9)
 - mounting plate (page 10-7)
 - lift finger (page 10-5)
 - escutcheon gasket (page 10-3)
 - mounting standoffs (page 10-2)
 - escutcheon on the door (page 8-14).

Removing the B.A.S.I.S. dual validation reader assembly

1. Remove the following parts:
 - escutcheon from the door (page 8-13)
 - mounting standoffs (page 10-2)
 - escutcheon gasket (page 10-3)
 - lift finger (page 10-4)
 - mounting plate (page 10-6)
 - primary harness (page 10-9)
 - electronics board (page 10-11).
2. Perform steps 2 and 3 starting on page 9-27.

Reinstalling the B.A.S.I.S. dual validation reader assembly

1. Perform steps 1 and 2 on page 9-29.
2. Reinstall the following parts:
 - electronics board (page 10-11)
 - primary harness (page 10-9)
 - mounting plate (page 10-7)
 - lift finger (page 10-5)
 - escutcheon gasket (page 10-3)
 - mounting standoffs (page 10-2)
 - escutcheon on the door (page 8-14).

**Removing the
B.A.S.I.S. V
proximity reader
assembly**

1. Remove the following parts:
 - escutcheon from the door (page 8-13)
 - mounting standoffs (page 10-2)
 - escutcheon gasket (page 10-3)
 - lift finger (page 10-4)
 - mounting plate (page 10-6)
 - primary harness (page 10-9)
 - electronics board (page 10-12).
2. Perform steps 2 and 3 on page 9-30.

**Reinstalling the
B.A.S.I.S. V
proximity reader
assembly**

1. Perform steps 1 and 2 on page 9-31.
2. Reinstall the following parts:
 - electronics board (page 10-12).
 - primary harness (page 10-9)
 - mounting plate (page 10-7)
 - lift finger (page 10-5)
 - escutcheon gasket (page 10-3)
 - mounting standoffs (page 10-2)
 - escutcheon on the door (page 8-14).

**Removing the
Keypad EZ reader
assembly**

1. Remove the following parts:
 - escutcheon from the door (page 8-13)
 - mounting standoffs (page 10-2)
 - escutcheon gasket (page 10-3)
 - lift finger (page 10-4)
 - mounting plate (page 10-6)
 - primary harness (page 10-9)
 - electronics board (page 10-12).
2. Perform steps 2 and 3 on page 9-32.

**Reinstalling the
Keypad EZ reader
assembly**

1. Perform steps 1 and 2 on page 9-34.
2. Reinstall the following parts:
 - electronics board (page 10-12).
 - primary harness (page 10-9)
 - mounting plate (page 10-7)
 - lift finger (page 10-5)
 - escutcheon gasket (page 10-3)
 - mounting standoffs (page 10-2)
 - escutcheon on the door (page 8-14).

SERVICING THE MOTOR ASSEMBLY

A replacement kit is available for the motor assembly. See [page 4-10](#).

Each time you service the motor assembly you need to replace the following parts with new parts:

- escutcheon gasket (C64564)
- cable tie
- lift finger screw ([page 4-9](#))
- mounting plate screws ([page 4-9](#))
- tape for mounting the sounder (for a B.A.S.I.S. escutcheon only).

Removing the motor assembly

1. Remove the following components:
 - escutcheon from the door ([page 8-13](#))
 - mounting standoffs ([page 10-2](#))
 - escutcheon gasket ([page 10-3](#))
 - lift finger ([page 10-4](#))
 - mounting plate ([page 10-6](#))
 - lever return springs ([page 10-8](#)).
2. Disconnect the motor connector from the primary harness. See [Figure 10.6](#).

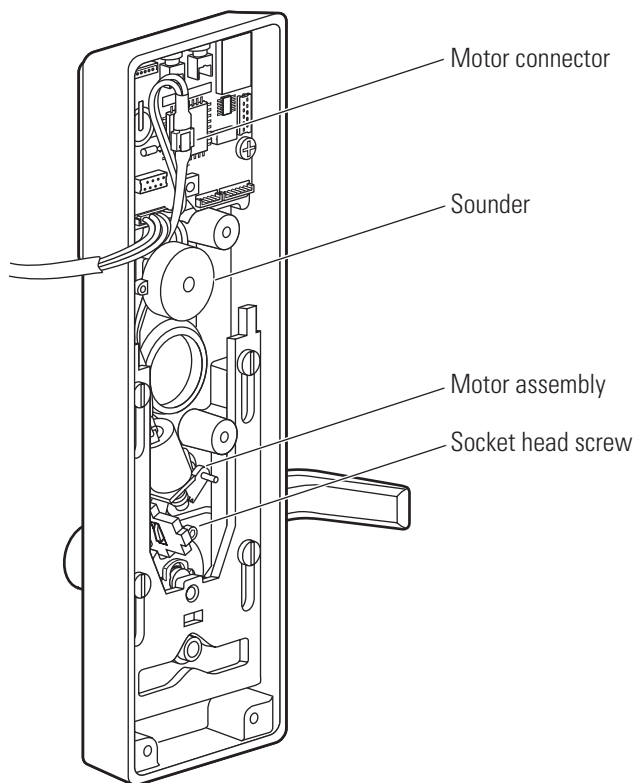


Figure 10.6 Removing the motor assembly (B.A.S.I.S.escutcheon shown)

3. For *B.A.S.I.S.* escutcheons, pry the sounder off the escutcheon using a screwdriver.
4. Using a 3/32" hex driver, remove the socket head screw and spacer. Remove the motor assembly from the escutcheon.

Reinstalling the motor assembly

1. Rotate the gear on the motor assembly until the locking lever is as close to the screw hole as possible, as shown in [Figure 10.7](#).

Note: If the locking lever does not move freely as you turn the gear, gently move the locking lever into position.

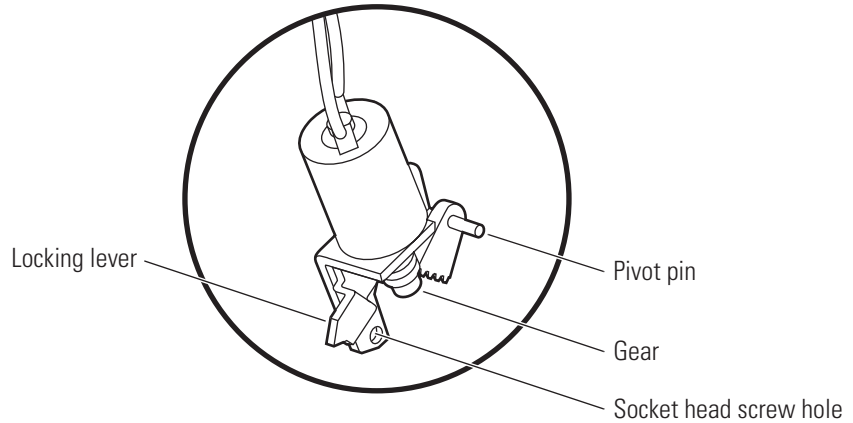


Figure 10.7 Rotating the motor assembly gear

2. Position the motor assembly in the escutcheon as shown in [Figure 10.8](#). Make sure that:
 - the locking lever is inserted through the locking plate.
 - the motor assembly pivot pin is seated in the recess in the escutcheon.

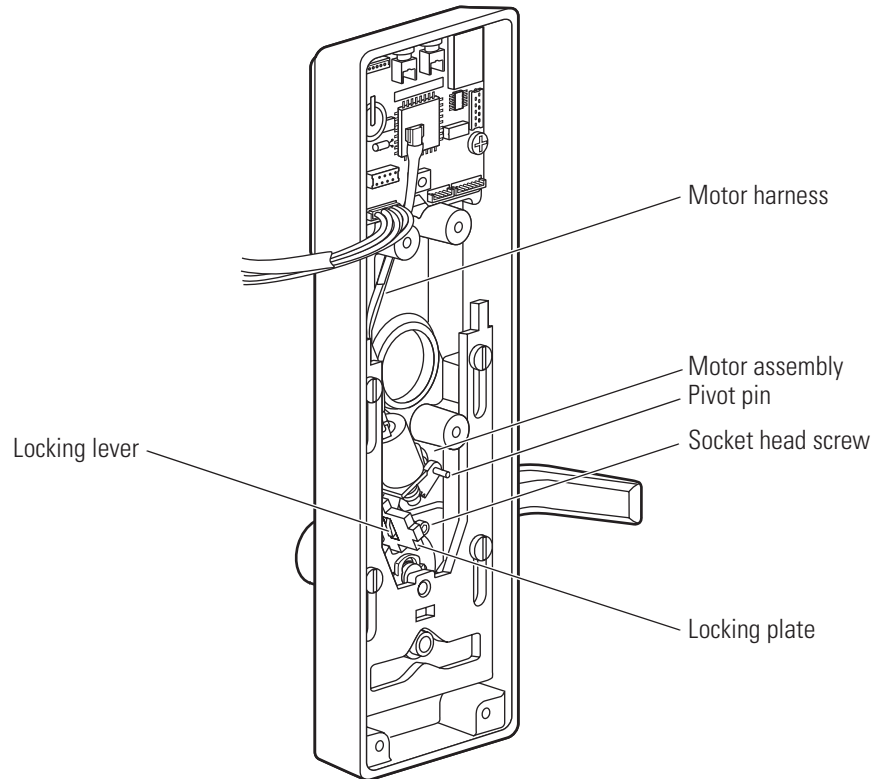


Figure 10.8 Routing the motor harness

3. Place the spacer on the socket head screw. Using a 3/32" hex driver, reinstall the socket head screw.
4. Route the motor harness into the groove in the escutcheon, as shown in [Figure 10.8](#).
5. *For B.A.S.I.S. escutcheons*, reinstall the sounder onto the escutcheon. See [Figure 10.9](#).

6. Connect the motor harness to the primary harness.

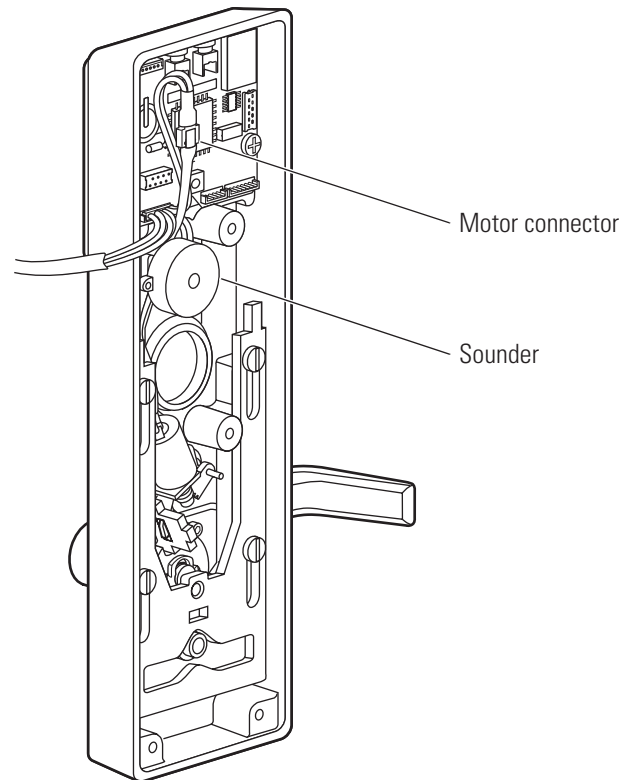


Figure 10.9 Reinstalling the motor assembly (B.A.S.I.S.escutcheon shown)

7. Reinstall the following components:
 - lever return springs (page 10-8)
 - mounting plate (page 10-7)
 - lift finger (page 10-5)
 - escutcheon gasket (page 10-3)
 - mounting standoffs (page 10-2)
 - escutcheon on the door (page 8-14).

SERVICING THE LOCKING PLATE

Each time you service the locking plate you need to replace the following parts with new parts:

- escutcheon gasket (C64564)
- cable tie
- lift finger screw (page 4-9)
- mounting plate screws (page 4-9).

Removing the locking plate

1. Remove the following parts:
 - escutcheon from the door (page 8-13)
 - mounting standoffs (page 10-2)
 - escutcheon gasket (page 10-3)
 - lift finger (page 10-4)
 - mounting plate (page 10-6)
 - lever return springs (page 10-8)
 - motor assembly (page 10-16).
2. Slide the locking plate out of the escutcheon. See Figure 10.10.

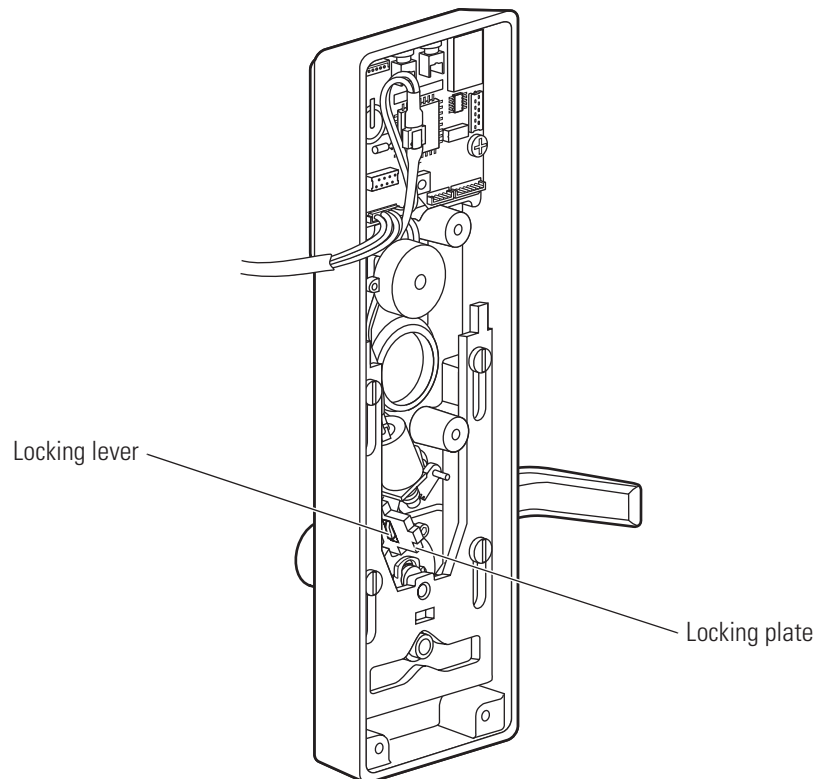


Figure 10.10 Removing and reinstalling the locking plate
(B.A.S.I.S. escutcheon shown)

Reinstalling the locking plate

1. Slide the locking plate into position as shown in [Figure 10.11](#). Make sure that the locking lever of the motor assembly is inserted through the locking plate.

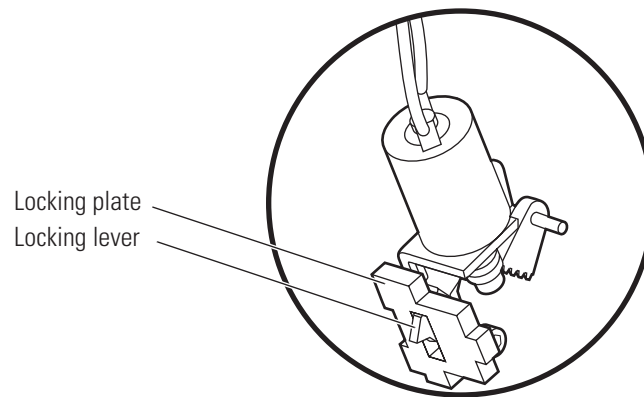


Figure 10.11 Reinstalling the locking plate

2. Reinstall the following parts:
 - motor assembly ([page 10-17](#))
 - lever return springs ([page 10-8](#))
 - mounting plate ([page 10-7](#))
 - lift finger ([page 10-5](#))
 - escutcheon gasket ([page 10-3](#))
 - mounting standoffs ([page 10-2](#))
 - escutcheon on the door ([page 8-14](#)).

SERVICING THE YOKE

Each time you service the yoke you need to replace the following parts with new parts:

- escutcheon gasket (C64564)
- cable tie
- lift finger screw (page 4-9)
- mounting plate screws (page 4-9)
- 4 shoulder screws (page 4-10).

Removing the yoke

1. Remove the following parts:
 - escutcheon from the door (page 8-13)
 - mounting standoffs (page 10-2)
 - escutcheon gasket (page 10-3)
 - lift finger (page 10-4)
 - mounting plate (page 10-6)
 - lever return springs (page 10-8).
2. Unscrew the 4 shoulder screws and discard. See [Figure 10.12](#).
3. Remove the yoke from the escutcheon.

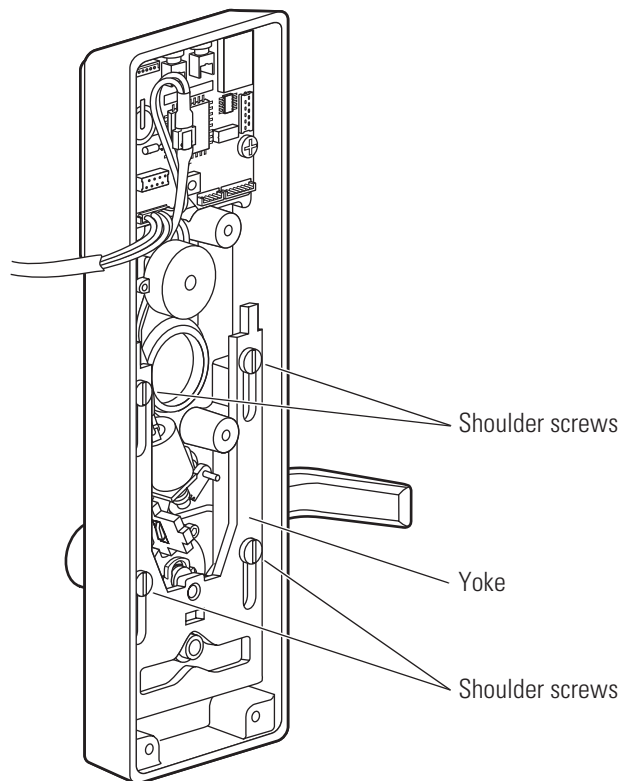


Figure 10.12 Removing and reinstalling the yoke (B.A.S.I.S. escutcheon shown)

Reinstalling the yoke

1. Position the yoke in the escutcheon with the threaded nut down.
2. Apply Lubriplate[®] GR-132 grease or an equivalent quality petroleum around the slots on the face of the yoke.
3. Tightly secure the yoke to the escutcheon using the 4 new shoulder screws (20–25 lbs. torque). See [Figure 10.12](#).
4. Reinstall the following parts:
 - lever return springs ([page 10-8](#))
 - mounting plate ([page 10-7](#))
 - lift finger ([page 10-5](#))
 - escutcheon gasket ([page 10-3](#))
 - mounting standoffs ([page 10-2](#))
 - escutcheon on the door ([page 8-14](#)).

SERVICING THE BEAM AND BEAM ROLLER

Each time you service the beam or beam roller you need to replace the following parts with new parts:

- escutcheon gasket (C64564)
- cable tie
- lift finger screw (page 4-9)
- mounting plate screws (page 4-9)
- 4 shoulder screws (page 4-10).

Removing the beam and beam roller

1. Remove the following parts:
 - escutcheon from the door (page 8-13)
 - mounting standoffs (page 10-2)
 - escutcheon gasket (page 10-3)
 - lift finger (page 10-4)
 - mounting plate (page 10-6)
 - lever return springs (page 10-8)
 - yoke (page 10-22).
2. Remove the c-clip from the lever spindle. See Figure 10.13.

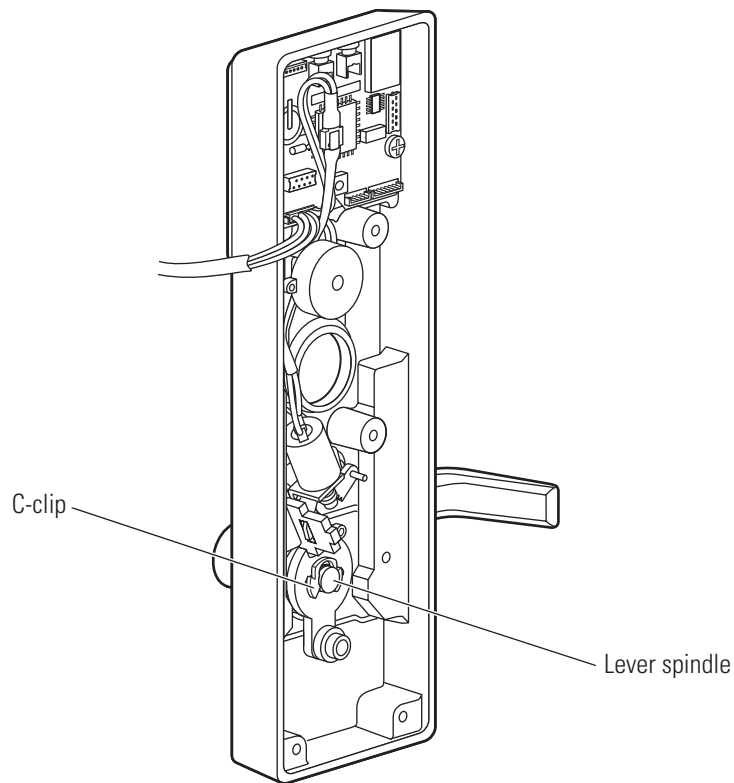


Figure 10.13 Removing and reinstalling the c-clip (B.A.S.I.S.escutcheon shown)

3. Remove the beam and beam roller from the lever spindle. See [Figure 10.14](#).

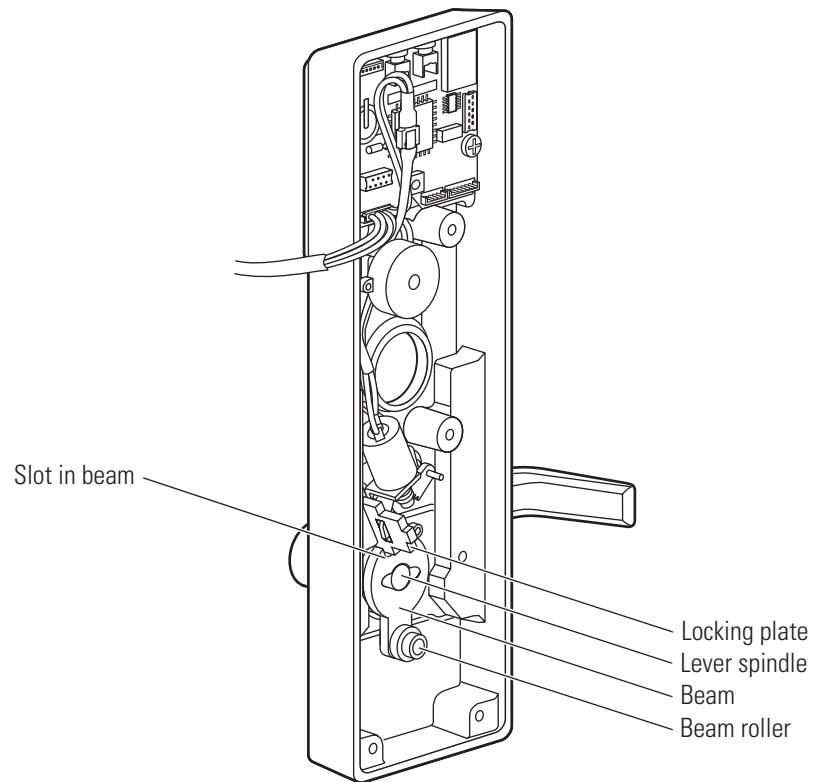


Figure 10.14 Removing and reinstalling the beam and beam (B.A.S.I.S. escutcheon shown)

Reinstalling the beam and beam roller

1. Place the beam on the lever spindle so that the slot in the beam aligns with the locking plate. See [Figure 10.14](#).
2. Reinstall the c-clip onto the lever spindle. The orientation of the clip does not matter. See [Figure 10.13](#).
3. Place the beam roller on the beam.
4. Reinstall the following parts:
 - yoke ([page 10-23](#))
 - lever return springs ([page 10-8](#))
 - mounting plate ([page 10-7](#))
 - lift finger ([page 10-5](#))
 - escutcheon gasket ([page 10-3](#))
 - mounting standoffs ([page 10-2](#))
 - escutcheon on the door ([page 8-14](#)).

SERVICING THE LEVER ASSEMBLY

Each time you service the lever assembly you need to replace the following parts with new parts:

- escutcheon gasket (C64564)
- cable tie
- lift finger screw (page 4-9)
- mounting plate screws (page 4-9)
- 4 shoulder screws (page 4-10).

Removing the lever assembly

1. Remove the following parts:
 - escutcheon from the door (page 8-13)
 - mounting standoffs (page 10-2)
 - escutcheon gasket (page 10-3)
 - lift finger (page 10-4)
 - mounting plate (page 10-6)
 - lever return spring (page 10-8)
 - yoke (page 10-22)
 - beam and beam roller (page 10-24).

2. Remove the lever from the front of the escutcheon. See [Figure 10.15](#).

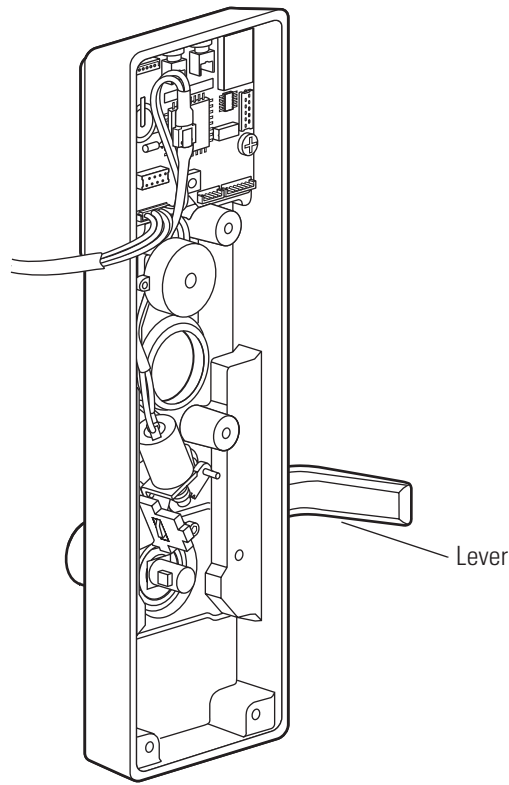


Figure 10.15 Removing and reinstalling the lever assembly (B.A.S.I.S. escutcheon shown)

Reinstalling the lever assembly

1. Make sure that the shear pin is positioned on the lever so that the head faces the opposite direction of the lever handle. See [Figure 10.16](#).
2. Insert the lever through the escutcheon, positioning the lever so its handle will point toward the door hinges. See [Figure 10.15](#).
3. Reinstall the following parts:
 - beam and beam roller ([page 10-25](#))
 - yoke ([page 10-23](#))
 - lever return spring ([page 10-8](#))
 - mounting plate ([page 10-7](#))
 - lift finger ([page 10-5](#))
 - escutcheon gasket ([page 10-3](#))
 - mounting standoffs ([page 10-2](#))
 - escutcheon ([page 8-14](#)).

SERVICING THE SHEAR PIN

Replacements kits are available for shear pins. See [page 4-10](#).

Each time you service the shear pin you need to replace the following parts with new parts:

- escutcheon gasket (C64564)
- cable tie
- lift finger screw ([page 4-9](#))
- mounting plate screws ([page 4-9](#))
- 4 shoulder screws ([page 4-10](#)).

Removing the shear pin

1. Remove the following parts:
 - escutcheon from the door ([page 8-13](#))
 - mounting standoffs ([page 10-2](#))
 - escutcheon gasket ([page 10-3](#))
 - lift finger ([page 10-4](#))
 - mounting plate ([page 10-6](#))
 - lever return spring ([page 10-8](#))
 - yoke ([page 10-22](#))
 - beam and beam roller ([page 10-24](#))
 - lever assembly ([page 10-26](#)).
2. Remove the shear pin from the lever. See [Figure 10.16](#).

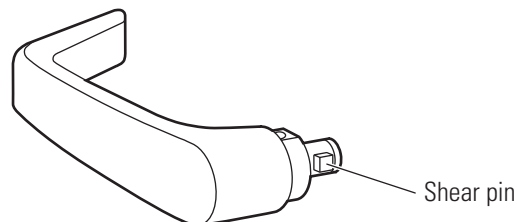


Figure 10.16 Removing and reinstalling the shear pin

**Reinstalling the
shear pin**

1. Insert the shear pin into the lever, making sure that the shear pin is positioned in the lever so that the head faces the opposite direction of the lever handle. See [Figure 10.16](#).
2. Reinstall the following parts:
 - lever assembly ([page 10-27](#))
 - beam and beam roller ([page 10-25](#))
 - yoke ([page 10-23](#))
 - lever return spring ([page 10-8](#))
 - mounting plate ([page 10-7](#))
 - lift finger ([page 10-5](#))
 - escutcheon gasket ([page 10-3](#))
 - mounting standoffs ([page 10-2](#))
 - escutcheon in the door ([page 8-14](#)).

CHANGING THE HANDING

Each time you change the handing you need to replace the following parts with new parts:

- escutcheon gasket (C64564)
- cable tie
- lift finger screw (page 4-9)
- mounting plate screws (page 4-9)
- 4 shoulder screws (page 4-10).

Note: When changing the handing for Precision Hardware mortise applications, you must replace the lift finger with the correct lift finger for the desired handing. To order the left-hand lift finger, use part number C64576. To order the right-hand lift finger, use part number C64568.

1. Remove the following parts:
 - escutcheon from the door (page 8-13)
 - mounting standoffs (page 10-2)
 - escutcheon gasket (page 10-3)
 - lift finger (page 10-4)
 - mounting plate (page 10-6)
 - lever return springs (page 10-8)
 - yoke (page 10-22)
 - beam and beam roller (page 10-24)
 - lever assembly (page 10-26).

2. Make sure that the shear pin is positioned in the lever so that the head faces the opposite direction of the lever handle. Then insert the lever through the escutcheon, positioning the lever so its handle will point toward the door hinges. See [Figure 10.17](#).

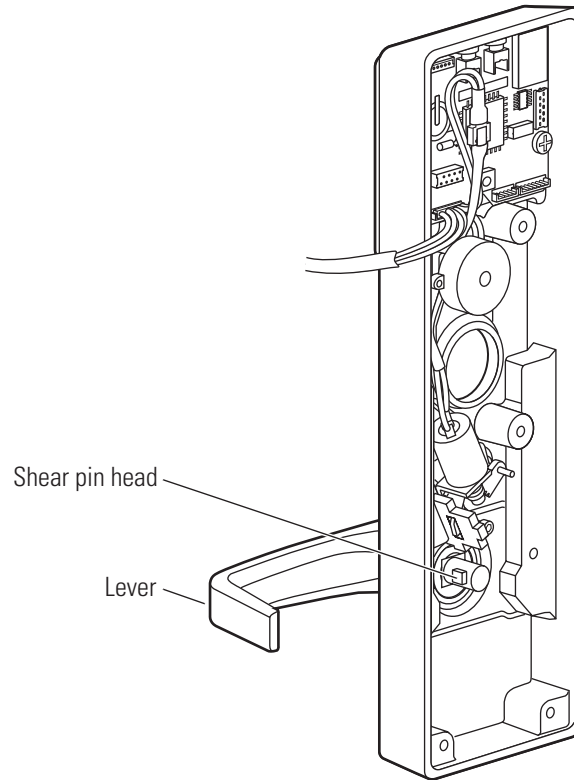


Figure 10.17 Changing the handing

3. Reinstall the following parts:
 - beam and beam roller ([page 10-25](#))
 - yoke ([page 10-23](#))
 - lever return springs ([page 10-8](#))
 - mounting plate ([page 10-7](#))
 - lift finger ([page 10-5](#))
 - escutcheon gasket ([page 10-3](#))
 - mounting standoffs ([page 10-2](#))
 - escutcheon on the door ([page 8-14](#)).