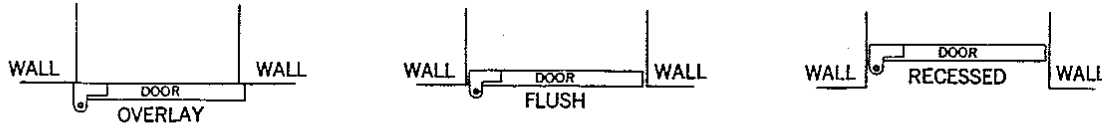


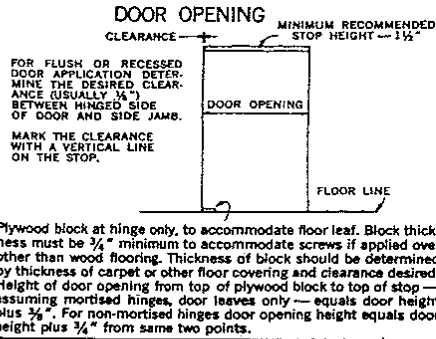
Directions For Installing No. 340 **STANLEY** PIVOT HINGE

The Stanley No. 340 Pivot Hinge can be used for flush, recessed, or overlay type installations.

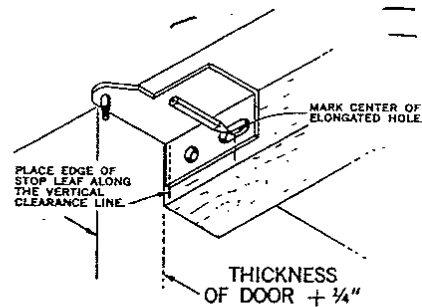


The instructions given below are for a flush installation using a right handed No. 340 Pivot Hinge. Left hand installation is opposite.

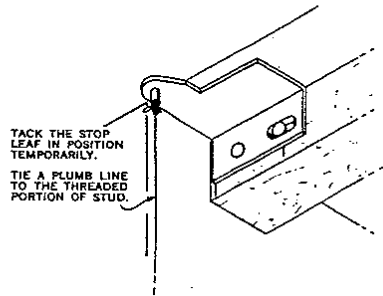
2



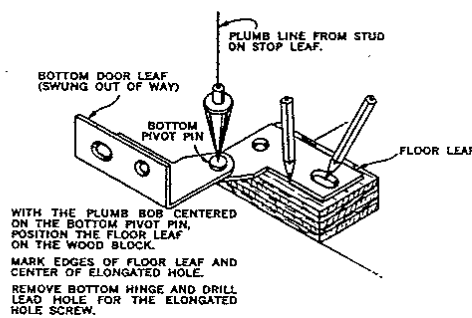
3



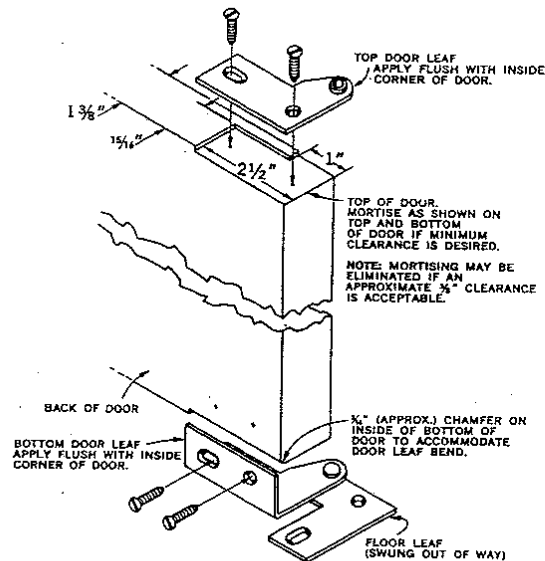
4



5

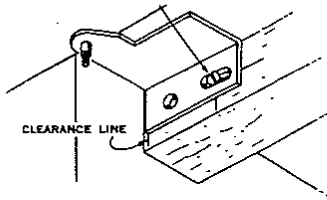


6

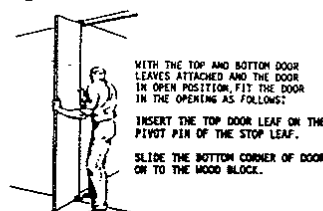


7

DRILL LEAD HOLE IN CENTER OF ELONGATED HOLE PREVIOUSLY MARKED AND ATTACH STOP LEAF WITH A SCREW IN THE ELONGATED HOLE ONLY DO NOT TIGHTEN SCREW FIRMLY.



8



9

POSITION FLOOR LEAF ON THE MARKINGS PREVIOUSLY DRAWN ON WOOD BLOCK. APPLY A SCREW THRU THE ELONGATED HOLE ONLY. DO NOT TIGHTEN FULLY.

MAKE FINAL DOOR ALIGNMENT IF NECESSARY, BY TAPPING THE LEAVES THAT HAVE ELONGATED HOLES.

APPLY REMAINING SCREWS. TIGHTEN ALL SCREWS, AND APPLY CYLINDRICAL SAFETY LOCK NUT TO COMPLETE THE INSTALLATION.

CAUTION: SAFETY NUT MUST SEAT ON THREADED PORTION OF PIVOT TO INSURE SECURE INSTALLATION. THE NUT MUST NOT TOUCH THE TOP DOOR LEAF.

