

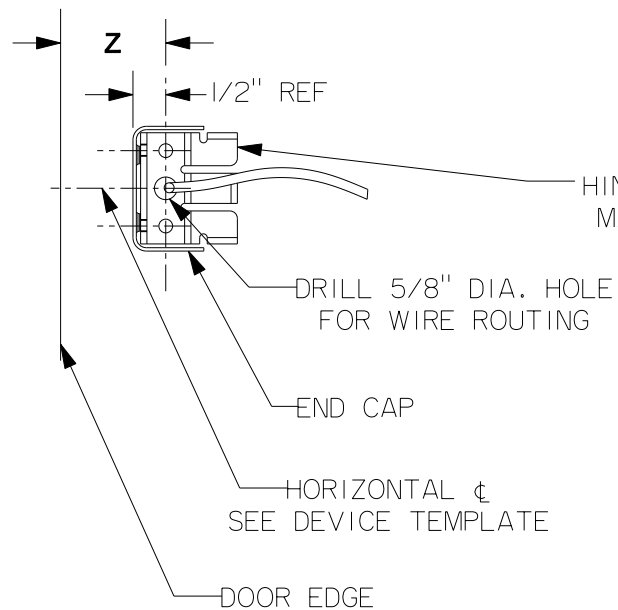
# INSTALLATION INSTRUCTIONS

## ELECTRIC LOCK/UNLOCK WIRING DETAILS

FOR STANDARD 3' OR 4' DOORS:

- Wide stile device with 2-3/4" backset:  
**Z = 2-1/4"**
- Narrow stile device on Aluminum door/frame  
with 1-1/16" backset: **Z = 1-1/16"**
- Narrow stile device on Hollow metal door/frame  
with channel cut to 1-1/8" recommended clearance  
**Z = 2-1/8"**

(For installation with mullion and other backset requirements, add or subtract from dimension shown.)



POWER TRANSFER  
HINGE REQUIRED

HINGE STILE  
MACHINING

For Lock Stile machining and  
Mounting Bracket location  
see Device Template

GREEN  
NORMALLY OPEN  
GRAY  
COMMON  
PINK  
NORMALLY CLOSED

WIRING FROM  
HINGE SIDE OF DEVICE

24 VDC  
ONLY

BROWN  
SOLENOID  
BROWN  
SOLENOID

WIRING:

- Disconnect all power before servicing.
- Consult local codes to determine proper wiring

OPERATION:

Normally Open Circuit: (across gray and green wires)  
Locked = open circuit  
Unlocked = closed circuit

Normally Closed Circuit: (across gray and pink wires)  
Locked = closed circuit  
Unlocked = open circuit

FIELD WIRING  
(BY OTHERS)

STANLEY

phi

DRWG  
01853-11-000

DATE  
10/15/03

REVISION  
B

**Precision Hardware**  
a Division of Stanley Security Solutions, Inc.  
[www.stanleysecuritysolutions.com](http://www.stanleysecuritysolutions.com)