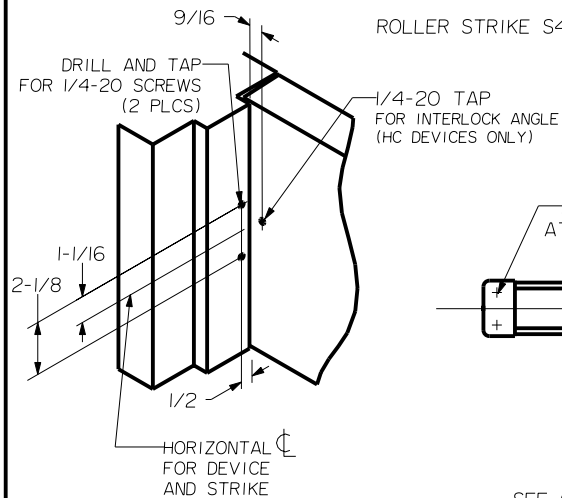


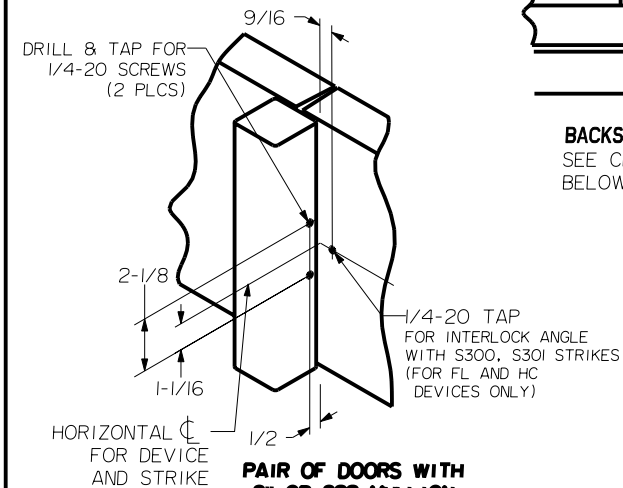
REINFORCEMENT REQUIREMENTS
 PROVIDE ADEQUATE REINFORCEMENT TO METAL COVERED COMPOSITE AND HOLLOW METAL DOORS FOR THE DRILLING AND TAPPING FOR THE MACHINE SCREWS.

SEX NUTS AND BOLTS
 SEX BOLTS ARE REQUIRED FOR PLASTIC, WOOD, METAL COVERED COMPOSITE AND HOLLOW METAL DOORS WITHOUT REINFORCEMENT

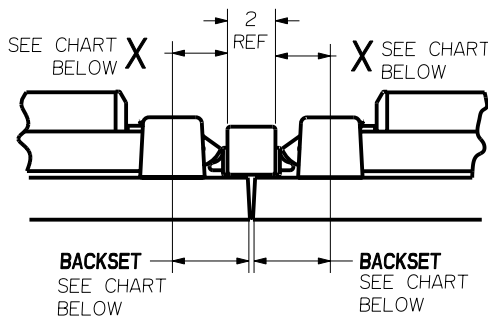
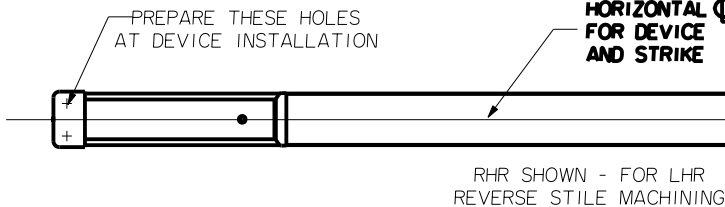
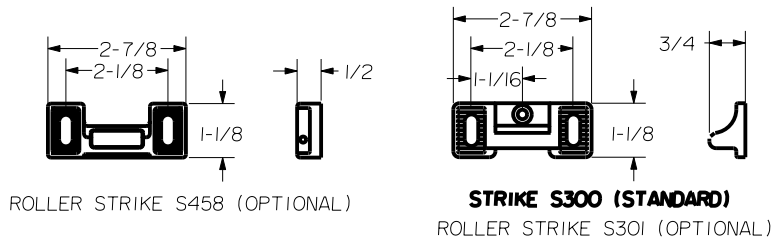
SEX BOLT MACHINING
 DRILL 1/4 DIA. INSIDE
 DRILL 3/8 DIA. OUTSIDE



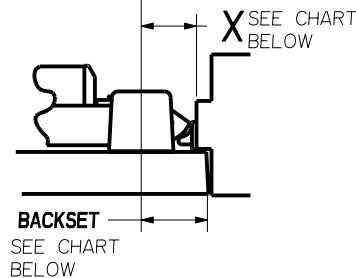
SINGLE DOOR WITH 5/8 STOP



PAIR OF DOORS WITH 811 OR 822 MULLION



PAIR OF DOORS WITH 811 OR 822 MULLION

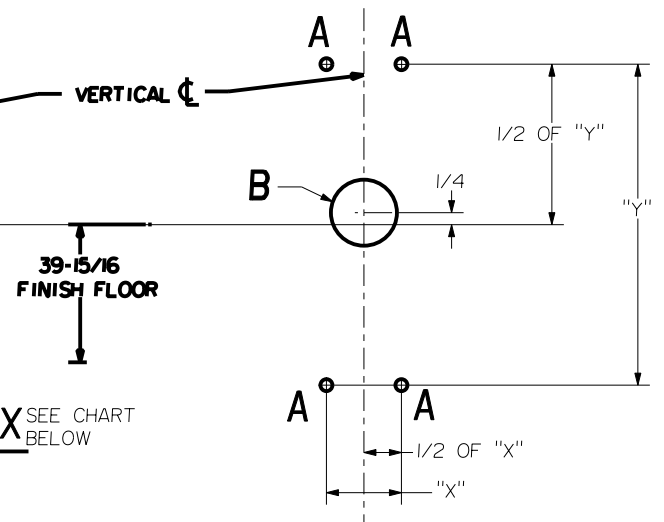


SINGLE DOOR WITH 5/8 STOP

HOLE (4) PLS	A	DEVICES	TRIMS	HOLE B
#10-24 TAP INSIDE ONLY		21, FL21	CYL ONLY	1-3/16 DIA. OUTSIDE 1-3/8 DIA. INSIDE
1/4 DIA INSIDE		21, FL21	SEE TRIM INSTRUCTIONS	1" DIA. MIN.

NOTE: THIS DEVICE IS COMPATIBLE WITH OTHER MANUFACTURERS ACCESS CONTROL EXTERIOR TRIM. REFER TO INSTRUCTIONS FOR MOUNTING OF TRIM.

LOCK STILE MACHINING



"X" DIM	"Y" DIM
1-9/16"	6-11/16"
ALTERNATE HOLES	
1-3/8"	7"

STRIKE	APPLICATION	BACKSET	MIN. STILE	DIM X
S300 S301	SINGLE DOOR	2-3/4	4-1/4	2-1/4
	PAIR OF DOORS	3-1/8	4-5/8	
S458	SINGLE DOOR	2-9/16	4	2-1/16
	PAIR OF DOORS	2-15/16	4-3/8	

STANLEY
phi
Precision Hardware
 a Division of Stanley Security Solutions, Inc.
 www.stanleysecuritysolutions.com

DEVICE SERIES		TRIM SERIES	
21, FL21		CYL ONLY, OTHER TRIM	
STRIKE NO.	RELEASED DATE	TEMPLATE NO.	REV
S300, S301, S458	5/1/05	HM-21A	C