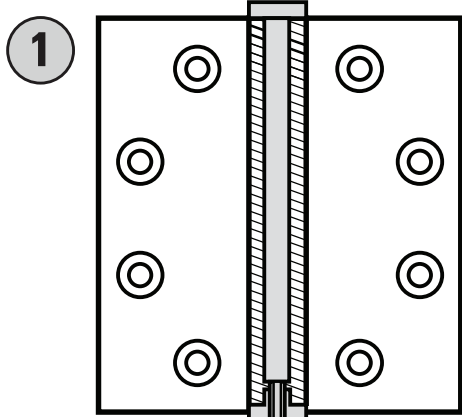


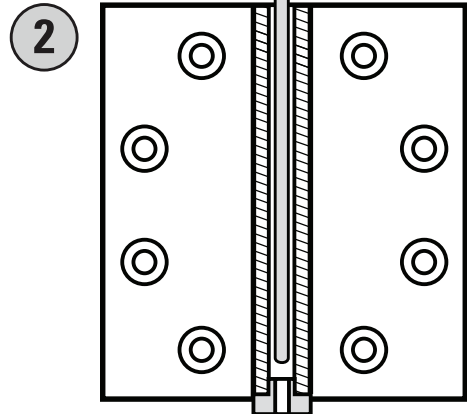
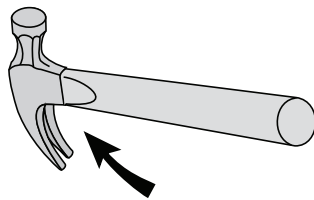
Decorative Tip Conversion Instructions



Wear safety goggles and follow common safety rules.

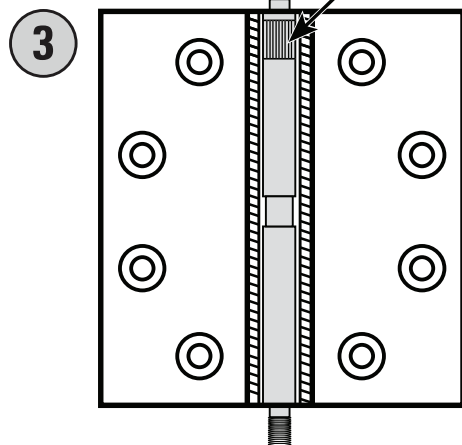
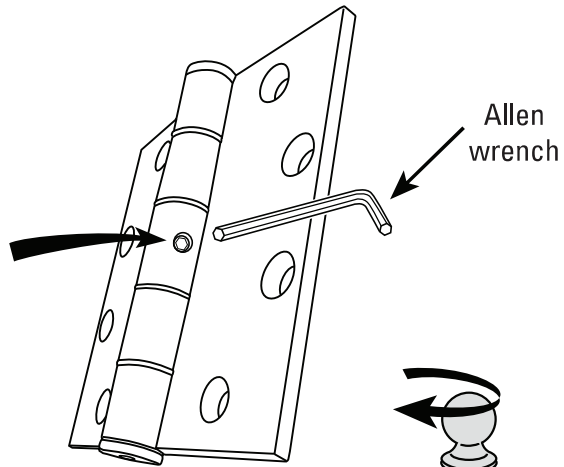


Extract pin

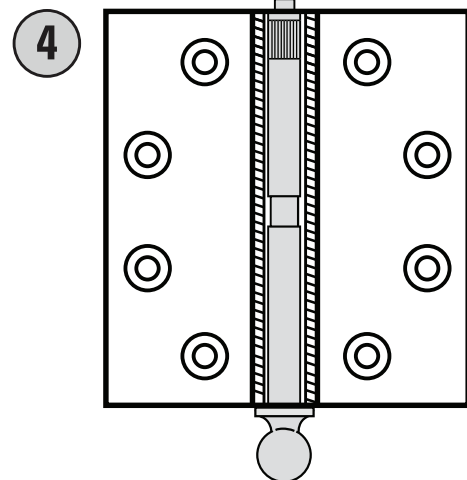


Extract bottom tip

NOTE: If product was supplied with a non-removable pin (NRP), remove set screw first.



Insert conversion pin with knurl on top as illustrated, making certain that the knuckles align. Perform this step with care not to damage threads.



Screw on decorative tips

NOTE: If hinge was supplied with NRP option, replace the set screw.