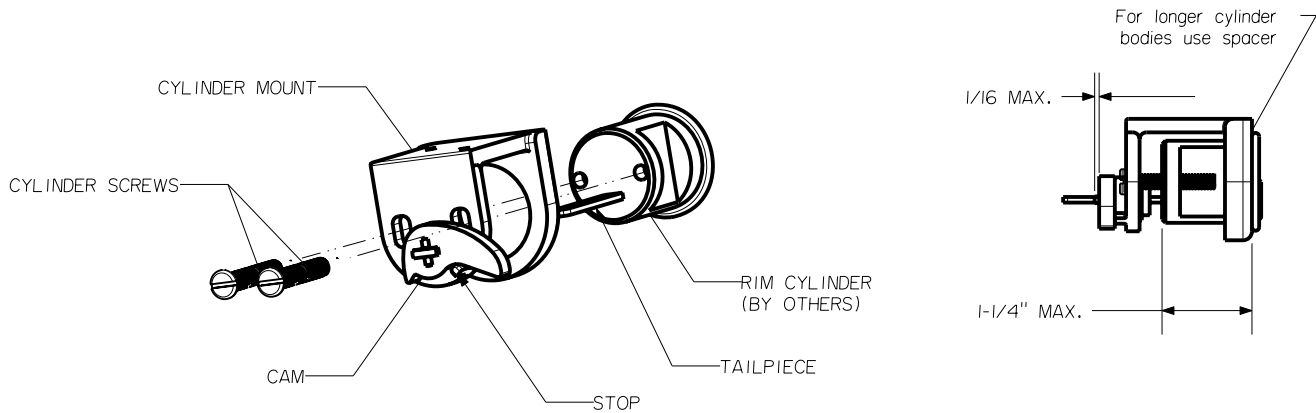
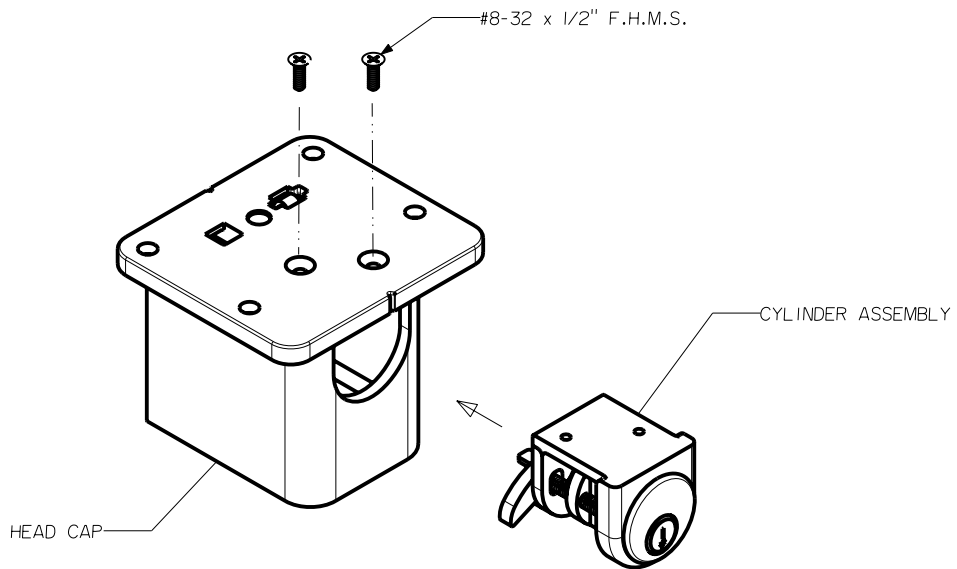


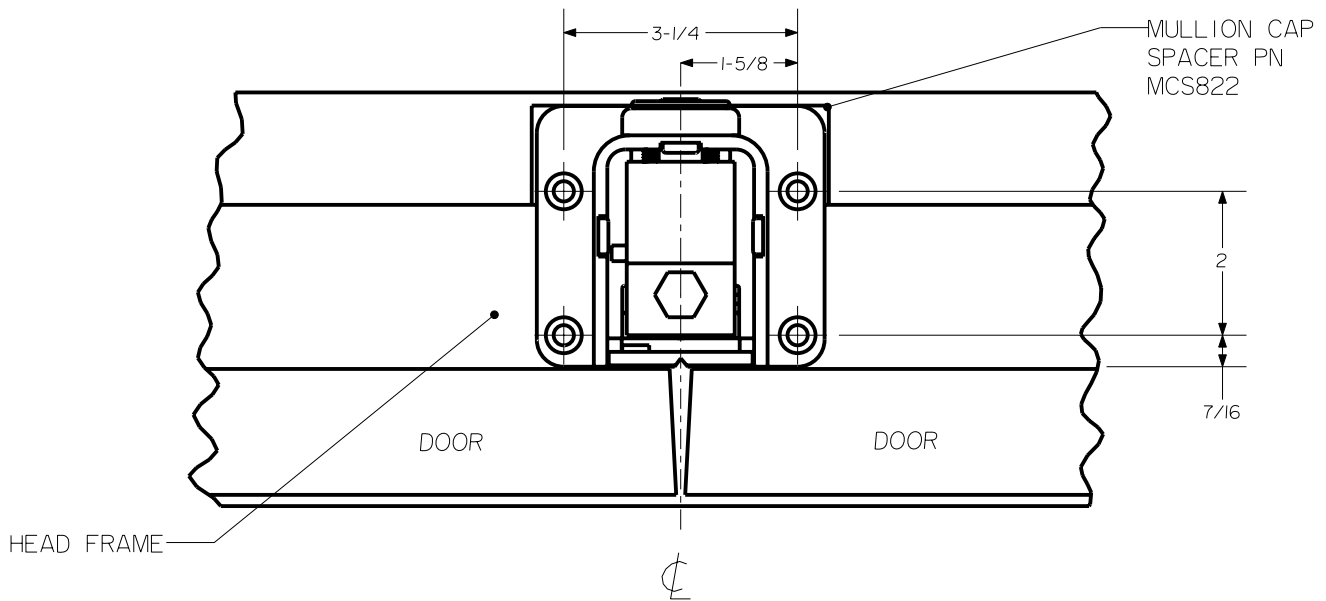
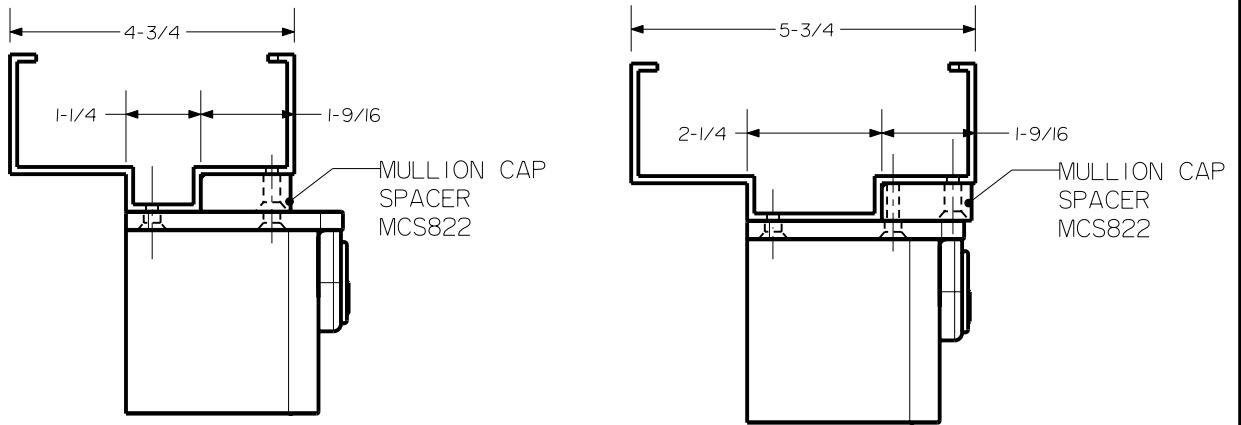
- 1 With the key removed, install the rim cylinder through the cylinder mount and insert the tailpiece into the slot of the cam, the cam should be resting on the stop, see illustration below. After installing the screw on the left, use the key to move the cam to gain access for the second screw.



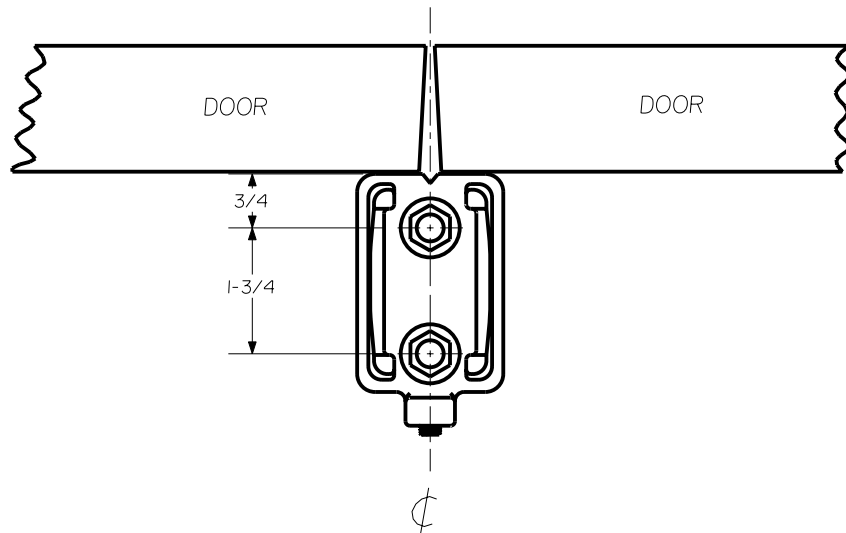
- 2 With the Key removed, Insert the Cylinder Assembly into the Head Cap Assembly and attach with 2 screws. Check for proper operation: turning the key should cause the latch to move freely.



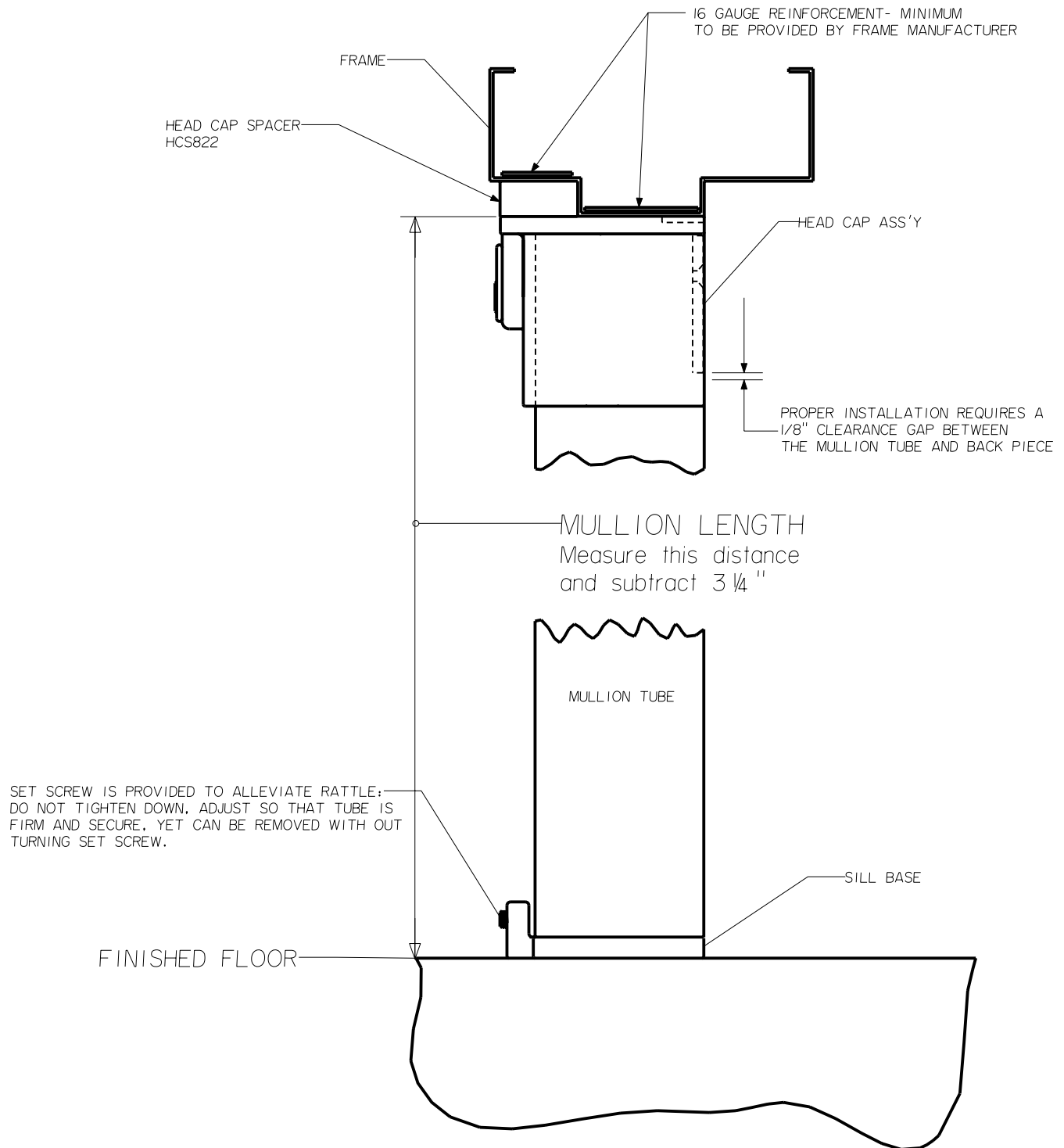
- 3 Center the Mullion Cap between the doors and flush with closed doors, see illustration below. Mark centers then drill and tap for 4- 1/4-20 F.H.M.S. Attach fitting.



- 4 Center the Bottom Fitting between the doors and flush with closed doors, see illustration below. Drill a 3/8" Dia. hole, 1-3/4" deep and fasten Bottom Fitting with the provided anchors.



- 5 Determine the Mullion Length and cut from the TOP of the tube.



- 6 OPERATION: Place the bottom of the tube into the Bottom Fitting and pivot the top into the Mullion Cap, the tube should latch securely, and turning the key clockwise should allow the tube to release.

MULLION STABILIZER FOR FLKR822 APPLICATION

Mark centers per dimensions below, then drill and tap for 4- 1/4-20 M.S.
Attach one stabilizer to each door leaf.

