

OMNILOCK®

Adaptation Instructions for Stanley Omnilock MEM-C with Schlage ND-series Cylindrical Locks

Planning the installation

Contents

These installation instructions describe how to install your MEM-C Omnilock with the Schlage ND-series Cylindrical Lock. Topics covered include:

Planning the installation..... 1
Installing the lock.....2
Testing the lock.....4

Site survey

Use the following survey to record information about the installation site. You need this information to determine how to prepare the door for the lock.

Door information

Door handing and bevel:

- Left hand (LH)
- Left hand, reverse bevel (LHRB)
- Right hand (RH)
- Right hand, reverse bevel (RHRB)

Door thickness: see the Schlage instruction sheet.

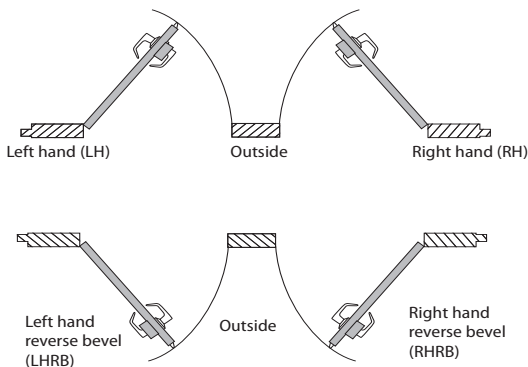


Figure 1 Door handing chart

Components checklist

Use the following checklist to make sure that you have the items necessary to install your MEM-C Cylindrical Lock.

Components provided in the box:

- Adaptation instructions
- Escutcheon
- Outside rose
- Hardware package
- Four AA size batteries (or 2 weatherized packs)

Other components:

- Programming Default ID Card (provided with software)
- Schlage ND80 cylindrical lock assembly from manufacturer

Environment information

Model	Side of door	Temperature Range	Exposure
Standard	Outside	+32°F to +129°F 0°C to +54°C	Drip proof. Water splash accepted.
Weatherized	Outside	-4°F to +129°F -20°C to +54°C	Direct exposure to rain and snow

Installing the lock

1 Door preparation

Note: Use the manufacturer's instructions to prepare the door. The Omnilock adapts to the Schlage door preparations. No additional preparation is necessary.

2 Optional: Adjust handing

Note: This is required only if the lock hand does not meet your application. The lockset is normally preset for a right-hand door. Verify the handing of the lock per Figure 1 and, if required, change the handing of the lock.

- 1 Unscrew the small wire clamps that hold the motor wire to the chassis.
- 2 Route the wires 180 degrees from their original position.
- 3 Reattach the wire clamps in the pre-drilled holes corresponding to the original wire mounting.

Note: Do not pinch or pull wires.

- 4 Reverse the levers to the desired position.

3 Assemble the outside lever to the escutcheon

- 1 The OMEM-C comes with an outside rose to replace the manufacturer's outside rose. The lever handle must be disassembled to fit the smaller rose and mount escutcheon on to the outside lever. See Figure 2.
- 2 Reassemble the cylindrical chassis according to Figure 3.
- 3 Screw the back plate to the escutcheon with the screws provided.

Note: Ensure no wires are pinched.

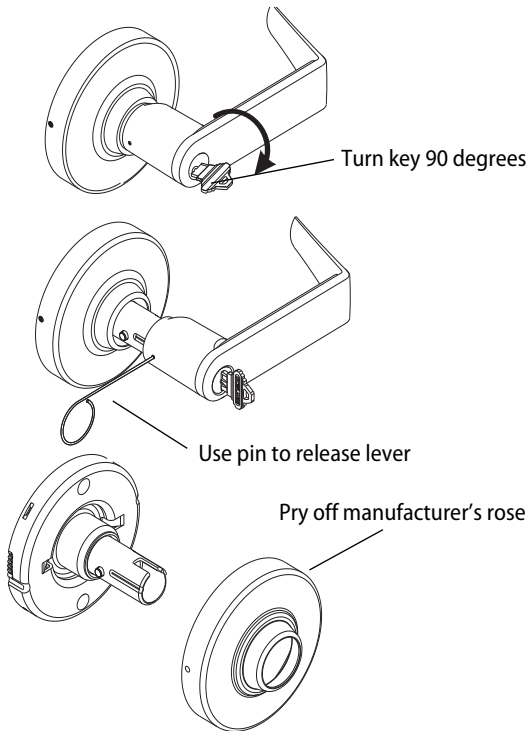


Figure 2 Remove the outside lever and rose

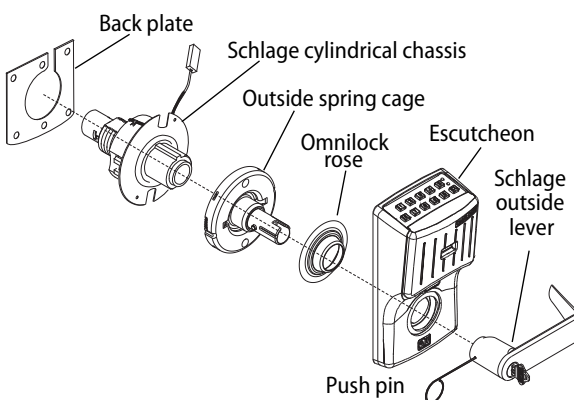


Figure 3 Assemble the escutcheon on the outside lever

Installing the lock

4 Installing the wires and batteries

- 1 Attach the motor and optional Key Override Switch (KOS) wires per Figure 4. Ensure that the red and black motor wires are attached according to the illustration on the circuit board.
- 2 Install the batteries. Pay special attention to the polarity of the batteries. (For weatherized battery packs, simply connect the wires from the battery packs to the circuit board. See Figure 5.)

Note: Be sure motor wires are connected before attempting step 3.

- 3 Press and hold the reset button on the PC board until the green light on the keypad flashes (about three seconds), then release the button. If the green light does not flash, see "Troubleshooting" on page 4.
- 4 Replace the battery cover. See Figure 4. Make sure that the tabs on the lower corners of the battery cover are hooked over the edge of the back plate and secure the cover with the screw.
- 5 Replace the gasket. See Figure 4. Make sure that it is inside the edge of the housing.

Note: A label on the housing assembly battery cover indicates the magnetic card track (track 2 or track 3) that the system is set to read.

5 Continue with Schlage installation instructions

- 1 Install lock chassis and engage retractor in latch per Schlage instructions.
- 2 Install through-bolts, inside rose and lever per Schlage instructions.

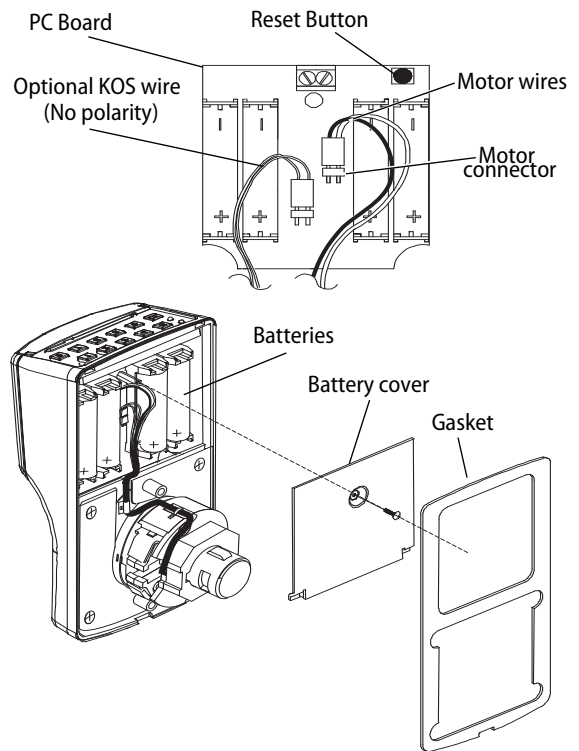


Figure 4 Attach wires and install batteries

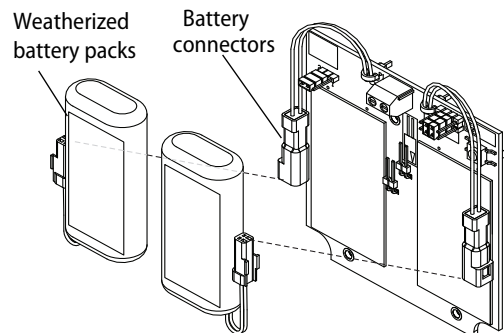


Figure 5 Weatherized battery packs

Installing the lock

6 Check operation

Check the operation of the lock. For example, check that:

- door latches and opens properly
- key access works
- door gap is not more than 1/8" (3 mm)

For assistance, contact your local Stanley Omnilock dealer.

7 Test unit

To test the unit for proper operation before the unit is programmed, follow these instructions:

For keypad units

- 1 Press **1234 for the 2000 series, or 5011234 for the 500 series.**

The green light flashes and the door unlocks.

- 2 Open the door.

During the unlock time, the green light flashes; then the red light flashes and the door relocks.

For magnetic stripe card units

- 1 Align the magnetic stripe card with the V mark by the card slot.

- 2 Insert and then remove the card.

The green light flashes and the door unlocks.

- 3 Open the door.

During the unlock time, if using the Programming Default ID Card, the green light flashes; then the red light flashes and the latch relocks.

For proximity cards units

- 1 Align the proximity card over the recess on the front of the escutcheon.

The green light flashes and the latch unlocks.

- 2 Turn the lever and open the door.

During the unlock time, if using the Programming Default ID Card, the green light flashes. Then the red light flashes and the latch relocks.

8 Troubleshooting

If the mechanism does not unlock, remove the battery cover and check for proper orientation and seating of the batteries and motor connector. Ensure that wires are not pinched. Reset the electronics by pressing and holding the reset button on the circuit board until the light flashes green (approx three seconds), then release. See Figure 6.

The system will go through a self-test and the green light will flash five times. You will hear the lock unlock, then relock three times. A red flash indicates a PC board or drive system problem. If a red flash or no flash is observed, check for proper orientation and seating of the batteries and motor connector, ensure that wires are not pinched, then repeat the reset process.

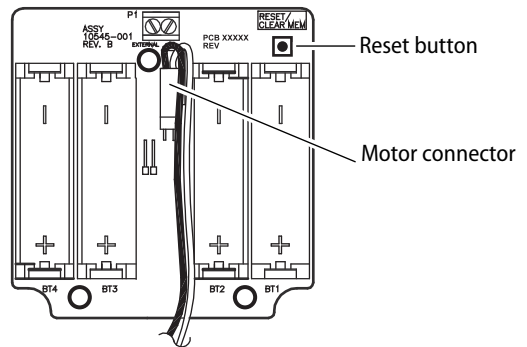


Figure 6 Using the reset button