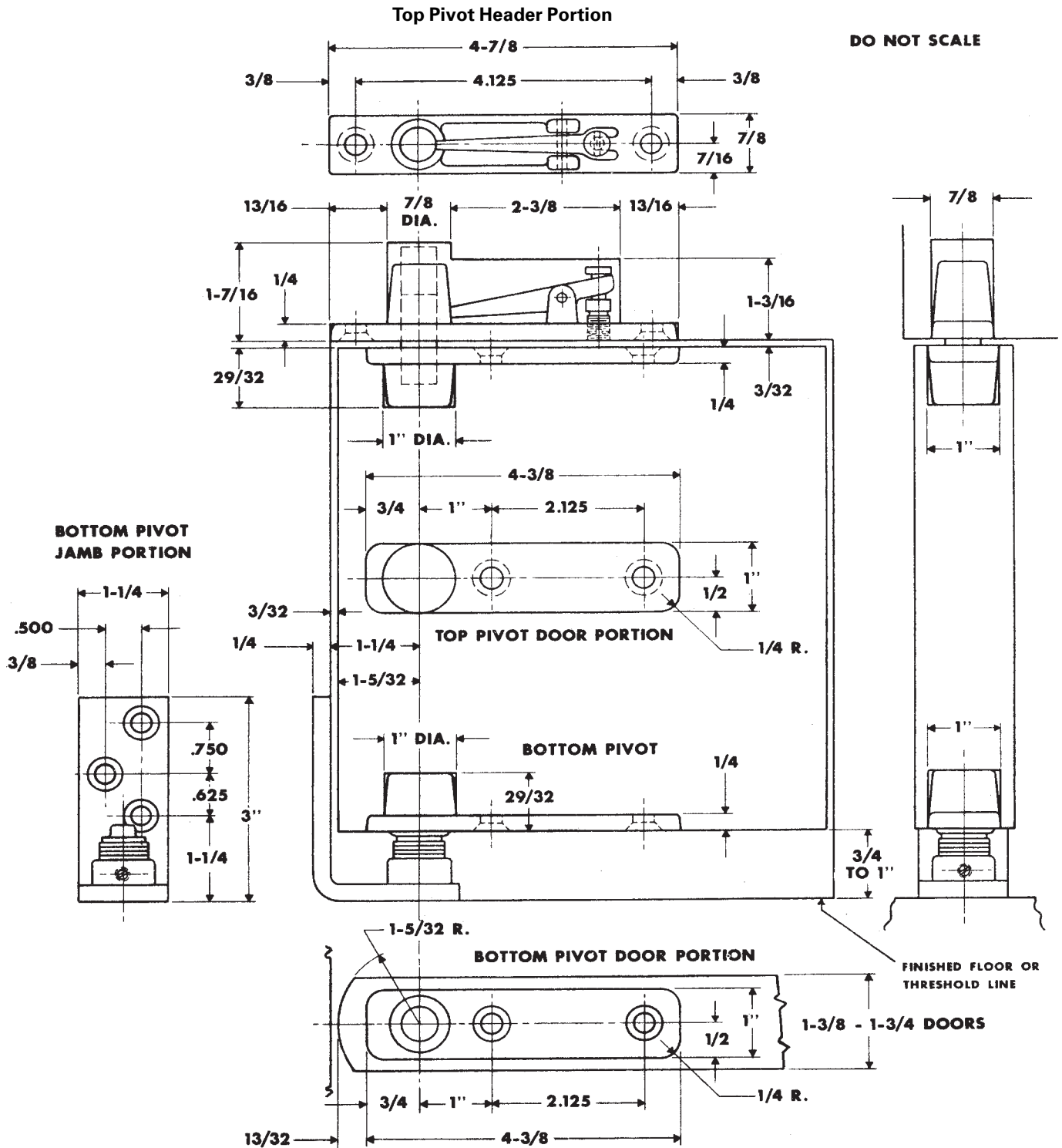


Template No. T90-31
DAP-3 PIVOT SET FOR DOUBLE ACTING DOORS



NOTE: If door is inset 1/8 inch from lavatory side, normally no special latch strike is required.

Machine Screw Size — 1/4-20 x 1/2 F.H.

Wood Screw Size — No. 14 x 1 1/2 F.H.