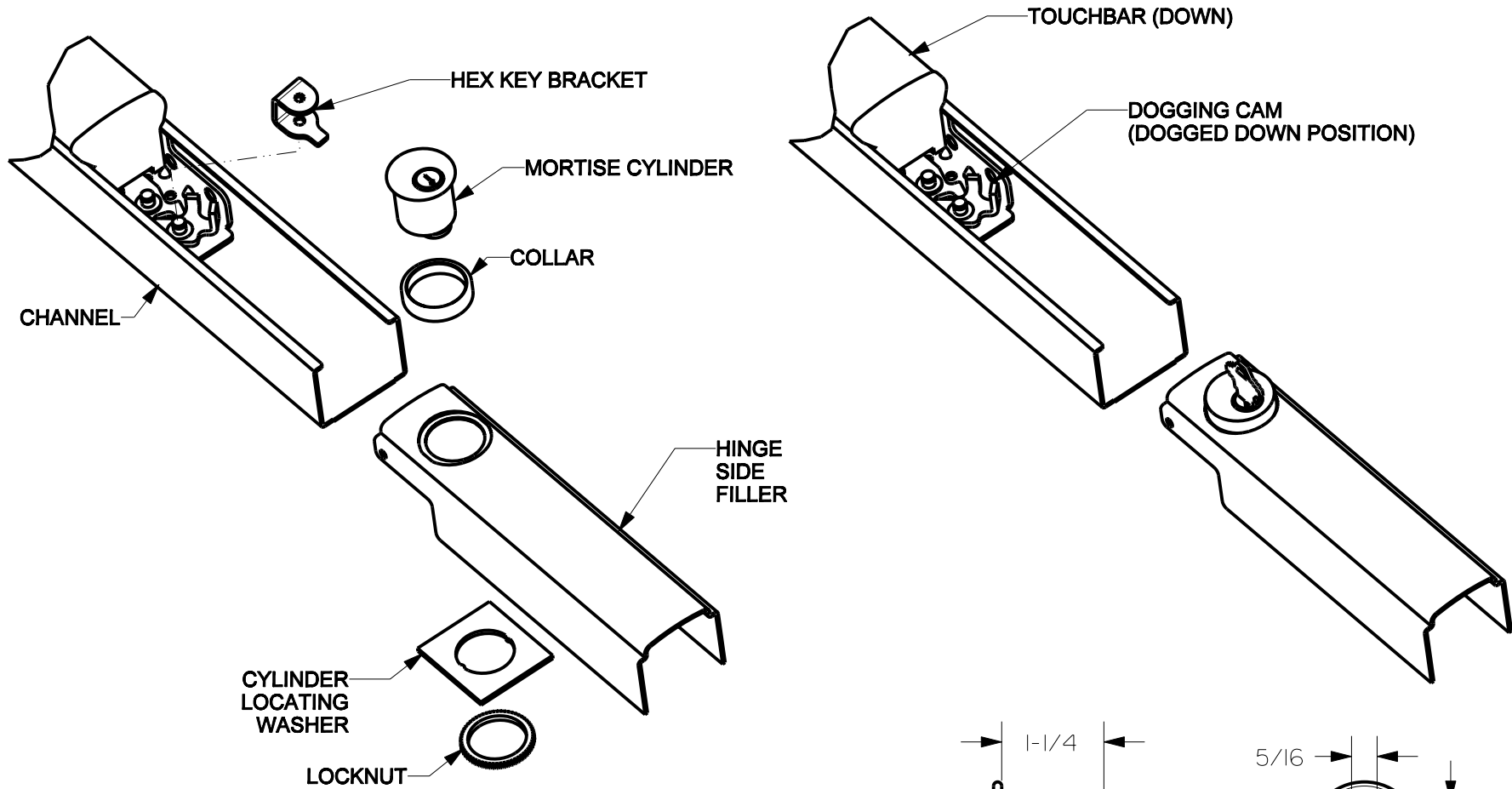
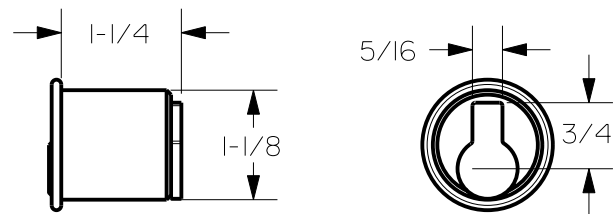


CYLINDER DOGGING INSTRUCTIONS



1. Slide hinge side filler out of the channel.
2. Remove Hex Key Bracket if necessary
3. Install cylinder
 - A. Position cylinder with cylinder core away from touchbar. (as shown)
 - B. Insert cylinder through collar, hinge side filler, locating washer, and tighten with locknut.
4. Slide hinge side filler into channel. (Dogging cam must be in dogged down position, as shown)



MORTISE CYLINDER DIMENSIONS

STANLEY

phi

DRWG
01725-11-000

DATE
4/1/03

REVISION
A

Precision Hardware
a Division of Stanley Security Solutions, Inc.
www.stanleysecuritysolutions.com