

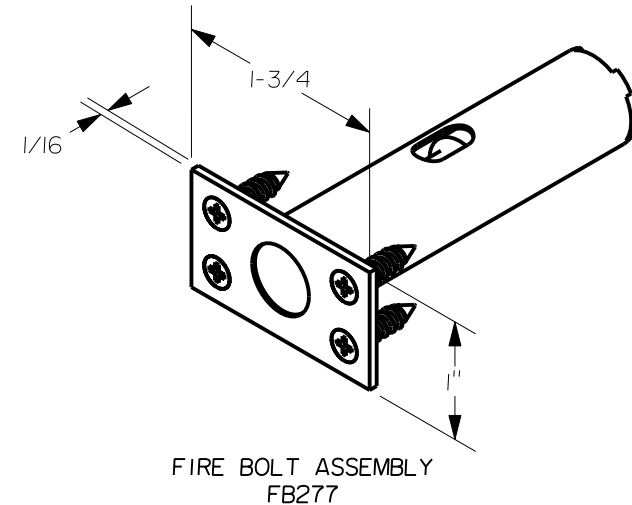
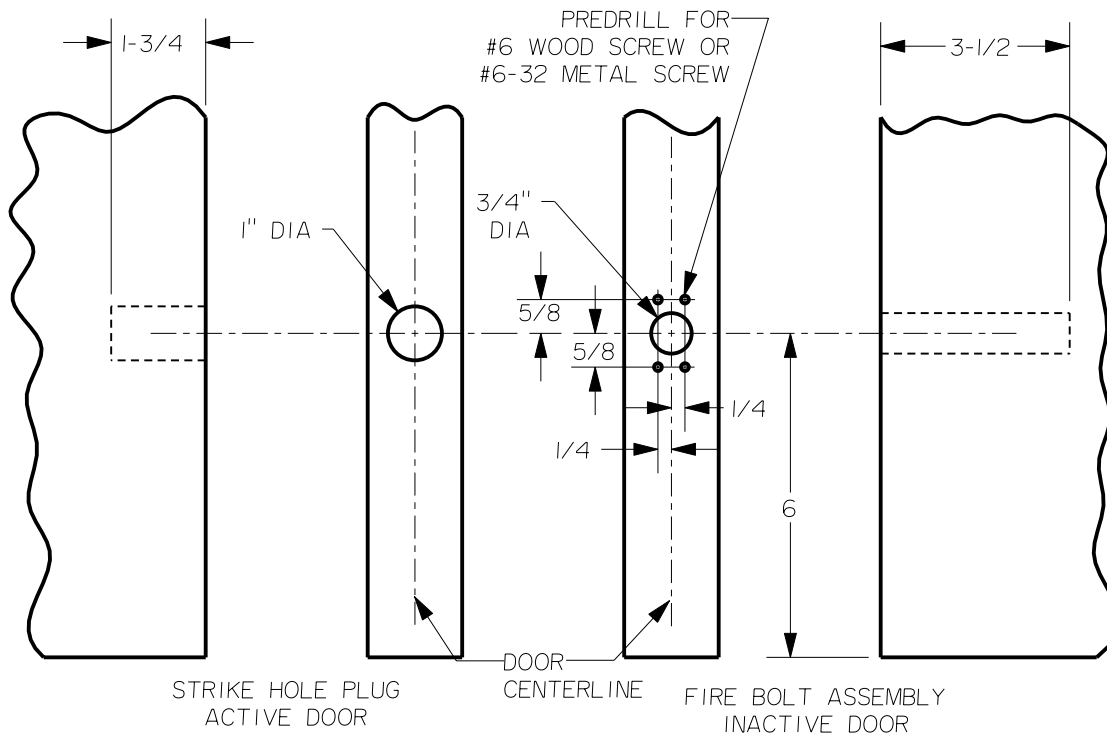
INSTALLATION INSTRUCTIONS

FIRE BOLT: FOR LESS BOTTOM ROD

1. PREPARE BOTH ACTIVE AND INACTIVE DOORS AS SHOWN BELOW
2. INSERT FIRE BOLT ASSY IN 3/4 DIA HOLE IN INACTIVE DOOR
SECURE IN PLACE WITH (4) #6 X 3/4 DIA FH WOOD SCREW OR
#6-32 FH METAL SCREW
3. INSTALL BLACK STRIKE HOLE PLUG IN 1" DIA HOLE IN ACTIVE DOOR



STRIKE HOLE PLUG



DIMENSIONS PROVIDED IF DOOR MANUFACTURER DESIRES TO MORTISE LIP

STANLEY

phi

DRWG
01297-11-000

DATE
5/1/03

REVISION
A

Precision Hardware
a Division of Stanley Security Solutions, Inc.
www.stanleysecuritysolutions.com