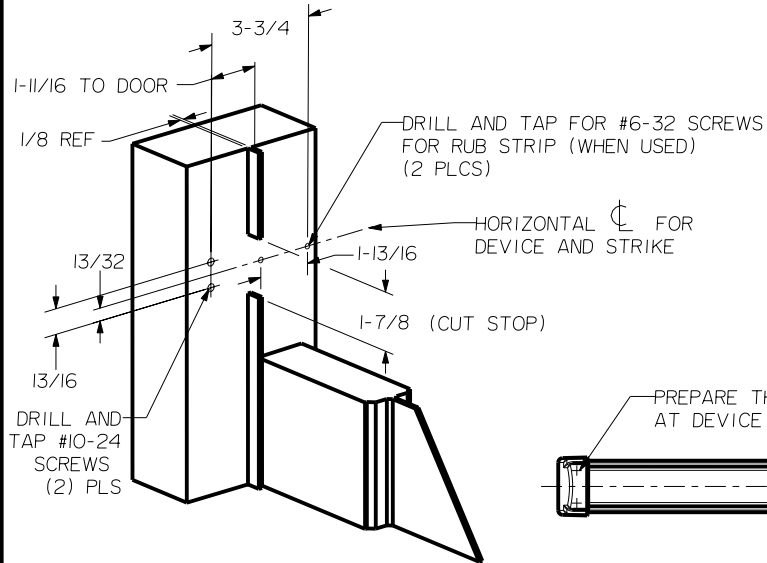
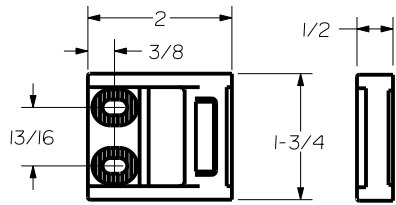


SEX BOLT MACHINING

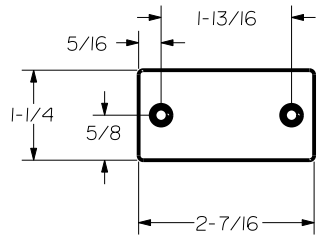
DRILL 1/4 DIA. INSIDE
DRILL 3/8 DIA. OUTSIDE



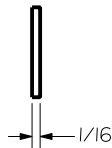
DRILL AND TAP #10-24 SCREWS (2) PLS



ROLLER STRIKE S988 (STANDARD)

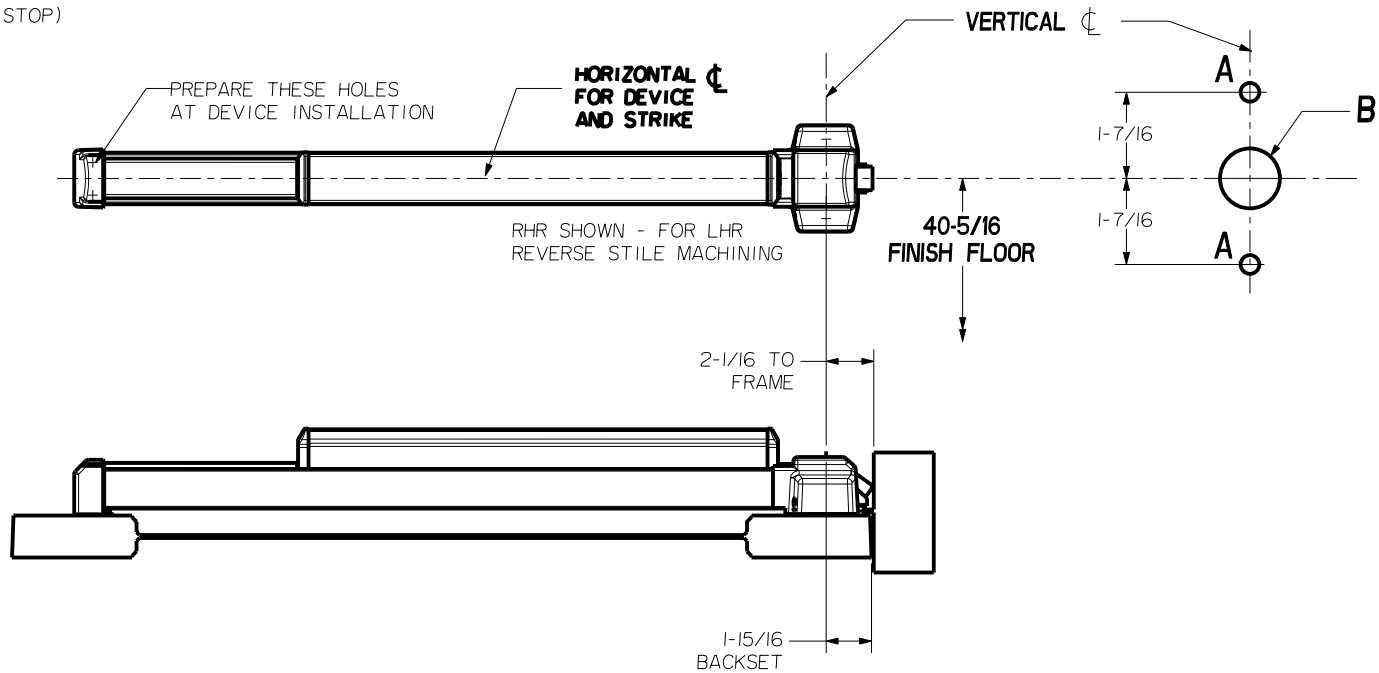


RUB STRIP S454 (STANDARD)



DEVICES	TRIMS	HOLE A (2) PLS	HOLE B
508	808	5/16 DIA THRU DOOR	1" DIA. THRU DOOR
514	814		

LOCK STILE MACHINING



ALUMINUM DOOR AND FRAME WITH BLADE OR APPLIED STOP		
MIN. STILES	DEVICE SIZE	DOOR WIDTH
3-3/4"	3'-0"	2'-6" TO 2'-11"
	4'-0"	3'-0" TO 3'-11"
4-1/4 OR FLUSH DOOR	3'-0"	2'-7" TO 3'-0"
	4'-0"	3'-1" TO 4'-0"

		Precision Hardware a Division of Stanley Security Solutions, Inc. www.stanleysecuritysolutions.com	
		DEVICE SERIES 5100	TRIM SERIES 808, 814
STRIKE NO. S988	RELEASED DATE 5/01/05	TEMPLATE NO. AL-5100B	REV C