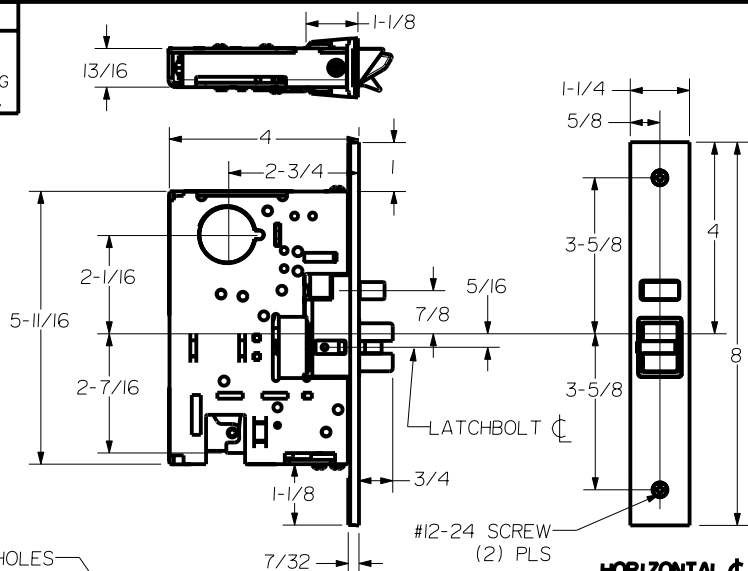


REINFORCEMENT REQUIREMENTS
 PROVIDE ADEQUATE REINFORCEMENT TO METAL COVERED COMPOSITE AND HOLLOW METAL DOORS FOR THE DRILLING AND TAPPING FOR THE MACHINE SCREWS.

SEX NUTS AND BOLTS
 SEX BOLTS ARE REQUIRED FOR PLASTIC, WOOD, METAL COVERED COMPOSITE AND HOLLOW METAL DOORS WITHOUT REINFORCEMENT

SEX BOLT MACHINING
 DRILL 1/4 DIA. INSIDE
 DRILL 3/8 DIA. OUTSIDE



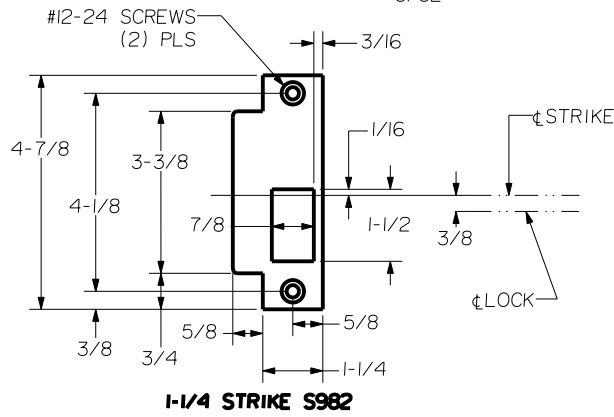
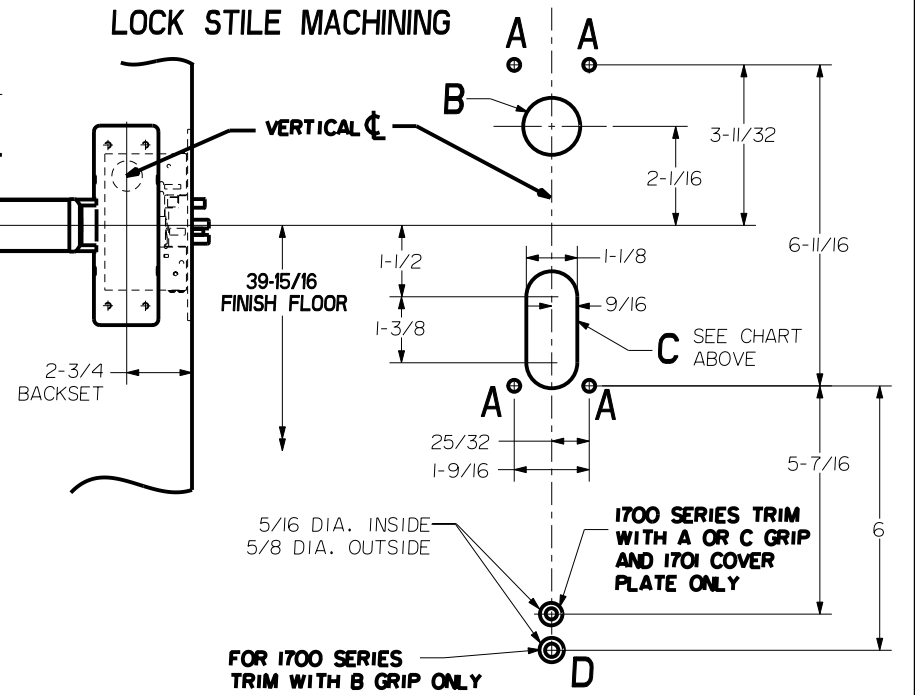
HOLE (4) PLS	A	DEVICES	TRIMS	HOLE B	HOLE C
#10-24 TAP INSIDE ONLY		2301.FL2301	EXIT ONLY	NO	SLOT INSIDE ONLY
		2303.FL2303	CYL ONLY	1-3/16 DIA OUTSIDE	
1/4 DIA INSIDE 3/8 DIA OUTSIDE		2301.FL2301	1701,4901	NO	SLOT THRU DOOR
		2302.FL2302	1702,4902		
		2303.FL2303	1703, M4903		
		E2303.FLE2303	M4908,VM4908	1-3/8 DIA OUTSIDE ONLY	
		2305.FL2305	MI705		
		2308.FL2308	M4908	1-3/8 DIA THRU DOOR	
		2310.FL2310	MV4908		
		2314.FL2314	M4914	NO	
2315.FL2315	MI715				

PREPARE THESE HOLES AT DEVICE INSTALLATION

HORIZONTAL CL FOR DEVICE AND LOCK

RHR SHOWN - FOR LHR REVERSE STILE MACHINING

LOCK STILE MACHINING



1-1/4 STRIKE S982

NOTE:
 "LETTER" AT END OF TRIM MODEL NO. DESIGNATES LEVER OR GRIP STYLE. EXCEPT AS NOTED, LEVER OR GRIP STYLE HAS NO EFFECT ON STILE MACHINING.

**S985,S984 OPTIONAL OPEN BACK STRIKES
 SEE TEMPLATE NUMBER HM-S985**

		Precision Hardware a Division of Stanley Security Solutions, Inc. www.stanleysecuritysolutions.com	
DEVICE SERIES		TRIM SERIES	
2300, FL2300		EXIT ONLY, CYL ONLY, 1700,4900	
STRIKE NO.	RELEASED DATE	TEMPLATE NO.	REV
S982	5/01/05	HM-2300A	C