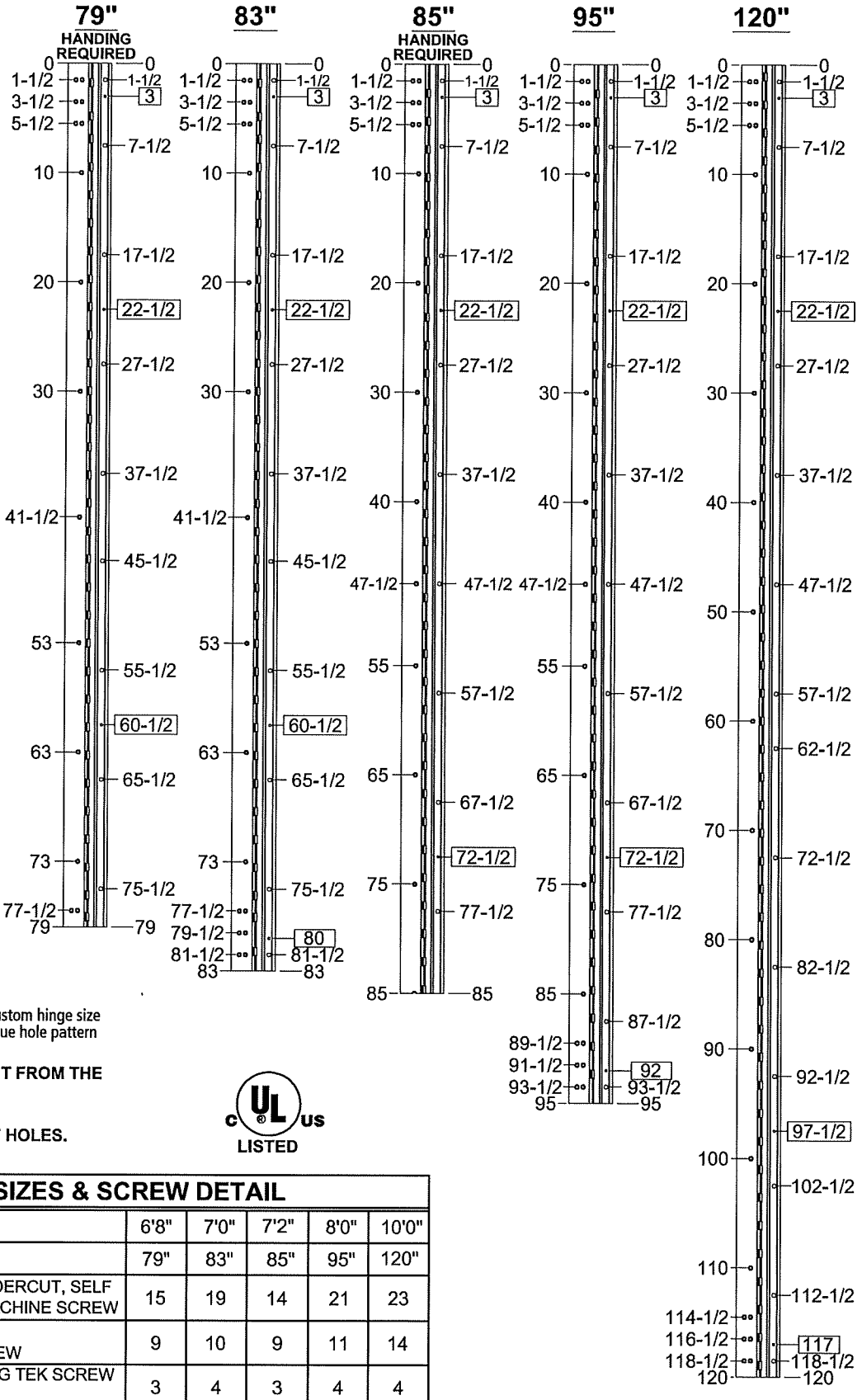
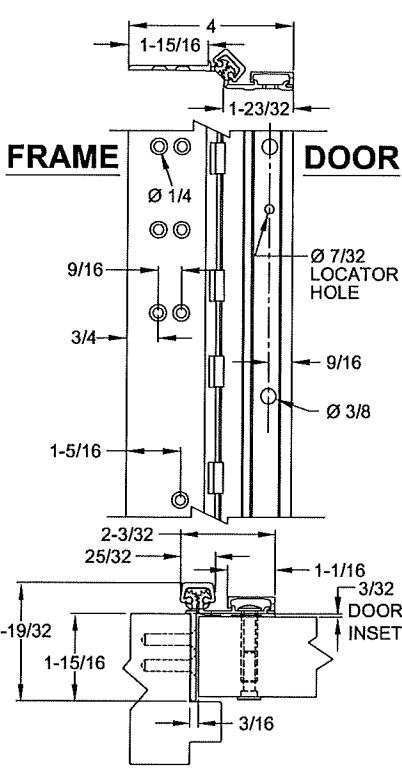


663 - ALUMINUM GEARED HINGE, 3/32" INSET, FULL CONCEALED



- NOTES:**
1. HINGES CUT TO CUSTOM LENGTH ARE CUT FROM THE BOTTOM. PLEASE SPECIFY HANDING.
 2. ALL DIMENSIONS ARE IN INCHES.
 3. ALL DIMENSIONS ARE TO CENTERLINE OF HOLES.
 4. XX" DENOTES LOCATOR HOLE.

⚠ Please note, custom hinge size may have unique hole pattern



STANDARD HINGE SIZES & SCREW DETAIL

NOMINAL DOOR HEIGHT	6'8"	7'0"	7'2"	8'0"	10'0"
ACTUAL HINGE LENGTH	79"	83"	85"	95"	120"
FRAME	12-24 x 7/8" PHILLIPS FLAT HEAD, UNDERCUT, SELF DRILLING, THREAD FORMING TEK MACHINE SCREW				
DOOR	1/4-20 x 1-9/16" x 3/8 DIA. SEX BOLT & 1/4-20 x 1" PH. HEAD SHOULDER SCREW				
	12-24 x 7/8" PH. PN. HD. SELF DRILLING TEK SCREW (LOCATOR HOLE)				
	15	19	14	21	23
	9	10	9	11	14
	3	4	3	4	4

STANLEY.

BEST Access Solutions, Inc.
6161 East 75th Street
Indianapolis, IN 46250 USA
Phone 855-365-2407

stanleyhardwarefordoors.com

ALUMINUM GEARED HINGE