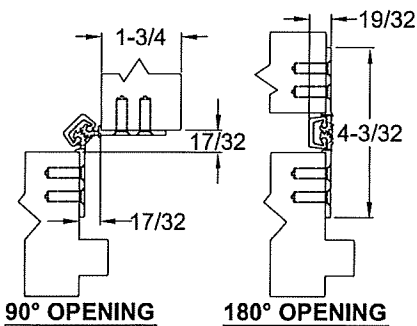


CLOSED POSITION



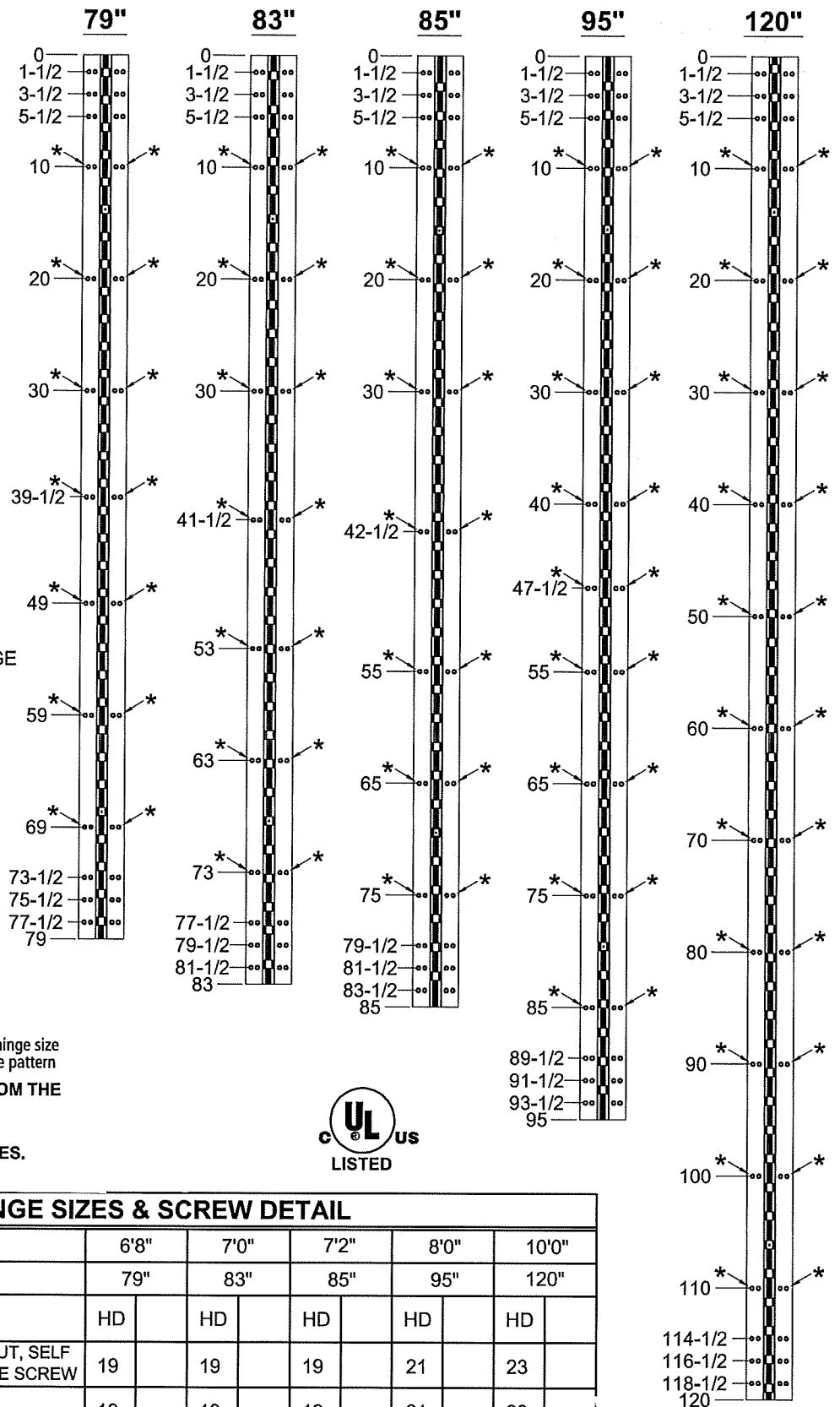
90° OPENING

180° OPENING

NOTES:

1. HINGES CUT TO CUSTOM LENGTH ARE CUT FROM THE BOTTOM. PLEASE SPECIFY HANDING.
2. ALL DIMENSIONS ARE IN INCHES.
3. ALL DIMENSIONS ARE TO CENTERLINE OF HOLES.

⚠ Please note, custom hinge size may have unique hole pattern



STANDARD HINGE SIZES & SCREW DETAIL

NOMINAL DOOR HEIGHT		6'8"	7'0"	7'2"	8'0"	10'0"
ACTUAL HINGE LENGTH		79"	83"	85"	95"	120"
		HD	HD	HD	HD	HD
FRAME	12-24 x 7/8" PHILLIPS FLAT HEAD, UNDERCUT, SELF DRILLING, THREAD FORMING TEK MACHINE SCREW	19	19	19	21	23
DOOR	12-24 X 7/8" PH. F.H. UNDERCUT SELF DRILLING THREAD FORMING TEK SCREW	19	19	19	21	23

STANLEY.

BEST Access Solutions, Inc.
6161 East 75th Street
Indianapolis, IN 46250 USA
Phone 855-365-2407

stanleyhardwarefordoors.com

ALUMINUM GEARED HINGE

©2017 All rights reserved
(A110HD) A89005_A