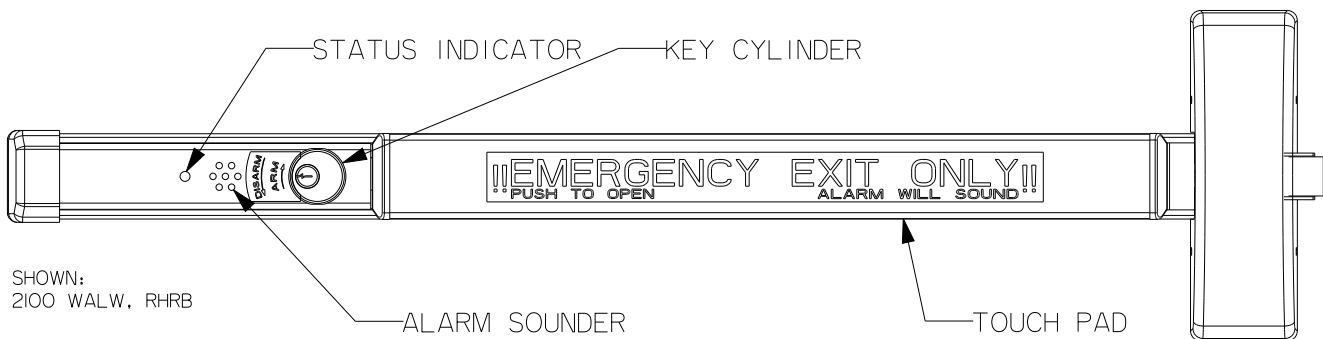


## WEATHERIZED EXIT ALARM WALW SERIES



SHOWN:  
2100 WALW, RHRB

### OPERATIONS

#### Apply Power:

Turn on the external power supply  
See Page 4 for wiring details and power requirements.

#### Arming the Exit Device:

##### Key Cylinder Operation:

See Page 2, step 2 for instructions on installing the Key Cylinder.  
Turn the Key Cylinder clockwise; key can be removed after returning to the horizontal position.  
OR:

##### Remote Arm/Disarm (optional)

See page 2, step 1 and page 4 for wiring details  
Provide a closed circuit to the WALW Exit Alarm

After arming the Exit Device, the Status Indicator will flash green for approximately 20 seconds and during this time the device is unarmed allowing momentary egress.

After the 20-second momentary egress time the Status indicator will slowly flash red, indicating that the Exit Device is armed

#### Alarming the Exit Device:

Push on the Touchpad, and the alarm will sound  
OR:

##### Remote Activation (optional)

See page 2, step 1 and page 4 for wiring details  
Provide a closed circuit to the WALW Exit Alarm and the alarm will sound

#### Disarming the Exit Device:

##### Key Cylinder Operation:

See Page 2, step 2 for instructions on installing the Key Cylinder.  
Turn the Key Cylinder counterclockwise; key can be removed after returning to the horizontal position  
Status Indicator is off and the Exit Device is unarmed  
OR:

##### Remote Arm/Disarm (optional),

See page 2, step 1 and page 4 for wiring details  
Provide a closed circuit to the WALW Exit Alarm. Status Indicator is off and the Exit Device is

#### Dogging the Exit Device:

Not available on Fire Rated Devices  
Push and hold the Touchpad down while turning the Key counterclockwise;  
key can be removed after returning to the horizontal position.

1

### ALARM PREPARATION

1. For Remote arm/disarm or Remote alarm connect: WH495 Wiring Harness as shown in FIGURE 1.
2. For FL Devices and Devices without dogging, install 2) #6-32 screws as shown in FIGURE 4 and tighten completely.

#6-32 SCREWS ARE USED  
ONLY  
ON FL OR NON-DOGGING DEVICES

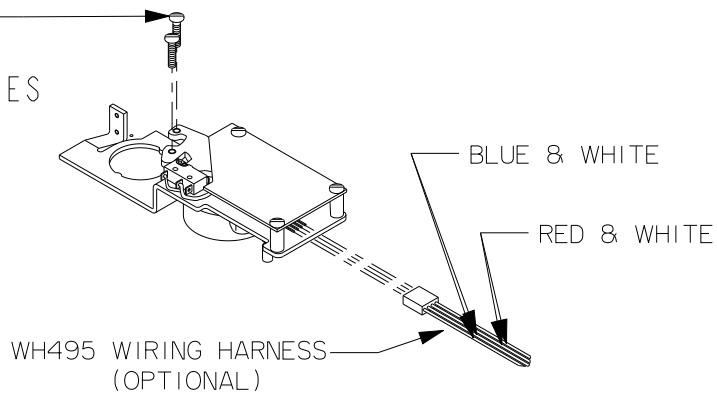


FIGURE 1

2

### INSTALL ALARM IN FILLER

1. Place Cam in "Load" position as shown.
2. Align Cylinder hole in Filler with Cylinder hole in Chassis.
3. Align L.E.D. with L.E.D. lense in Filler.
4. Insert Cylinder with the Cylinder Core as shown thru Blocking Ring and hole in Filler and Chassis and secure with Cylinder Nut.

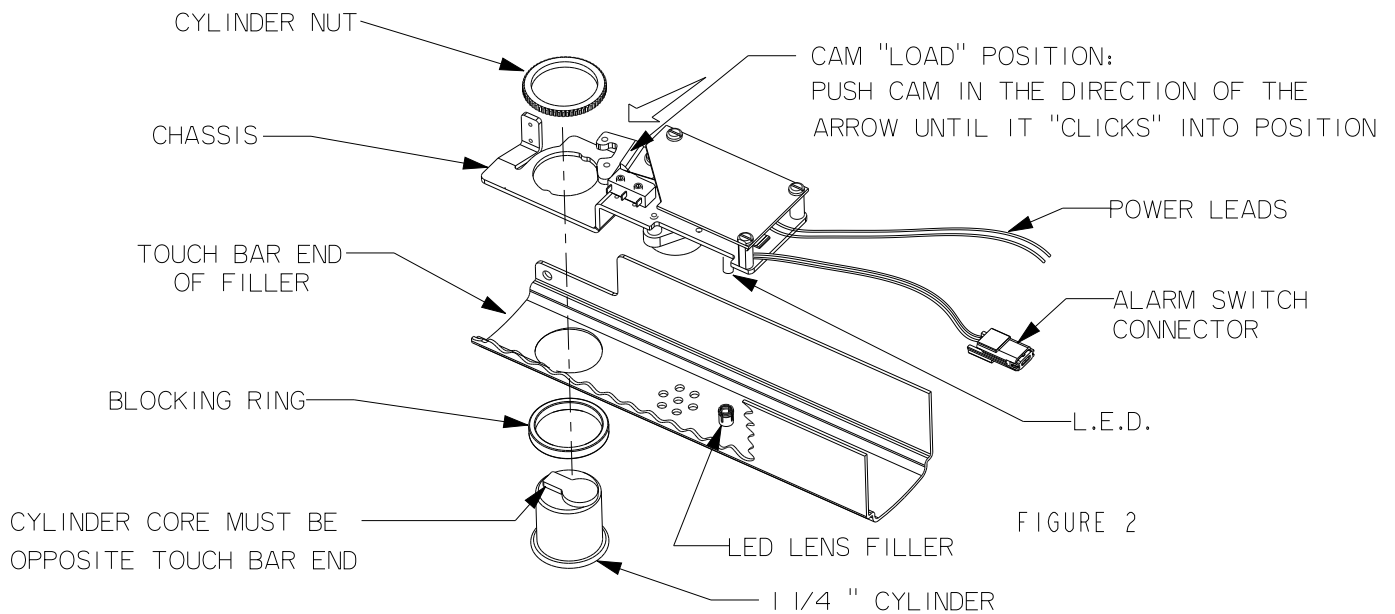


FIGURE 2

### 3 DRILL 5/8" DIAMETER WIRE RUN HOLE

FOR STANDARD 3' OR 4' DOORS:

- Wide stile device with 2-3/4" backset:  
Z = 2-1/4"
- Narrow stile device on Aluminum door/frame  
with 1-1/16" backset: Z = 1-1/16"
- Narrow stile device on Hollow metal door/frame  
with channel cut to 1-1/8" recommended clearance  
Z = 2-1/8"

(For installation with mullion and other backset requirements, add or subtract from dimension shown.)

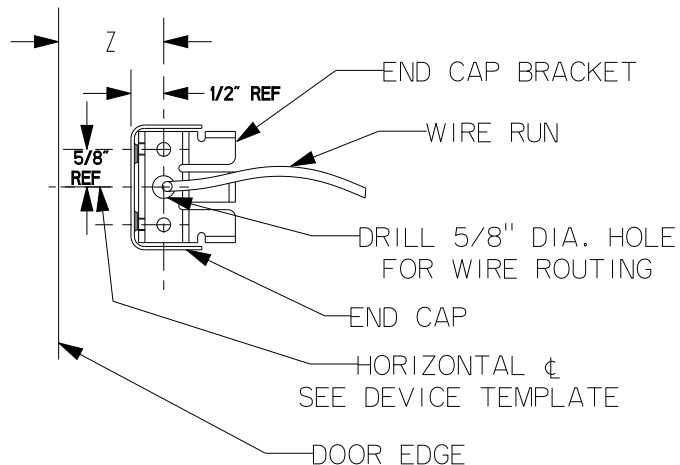


FIGURE 3

### 4 INSTALL FILLER IN DEVICE

1. For Devices with dogging, place Device in "dogged" position by depressing Touch Bar and rotating Dogging Cam.
2. Insert the Alarm Filler into the Device Channel, being careful not to interfere with the Alarm switch wire.
3. Connect the 2 Alarm Switch Connectors together and place into the Alarm Filler.
3. Install Decals as shown
4. Mount the Device to the door as described in the Device Installation Instructions.

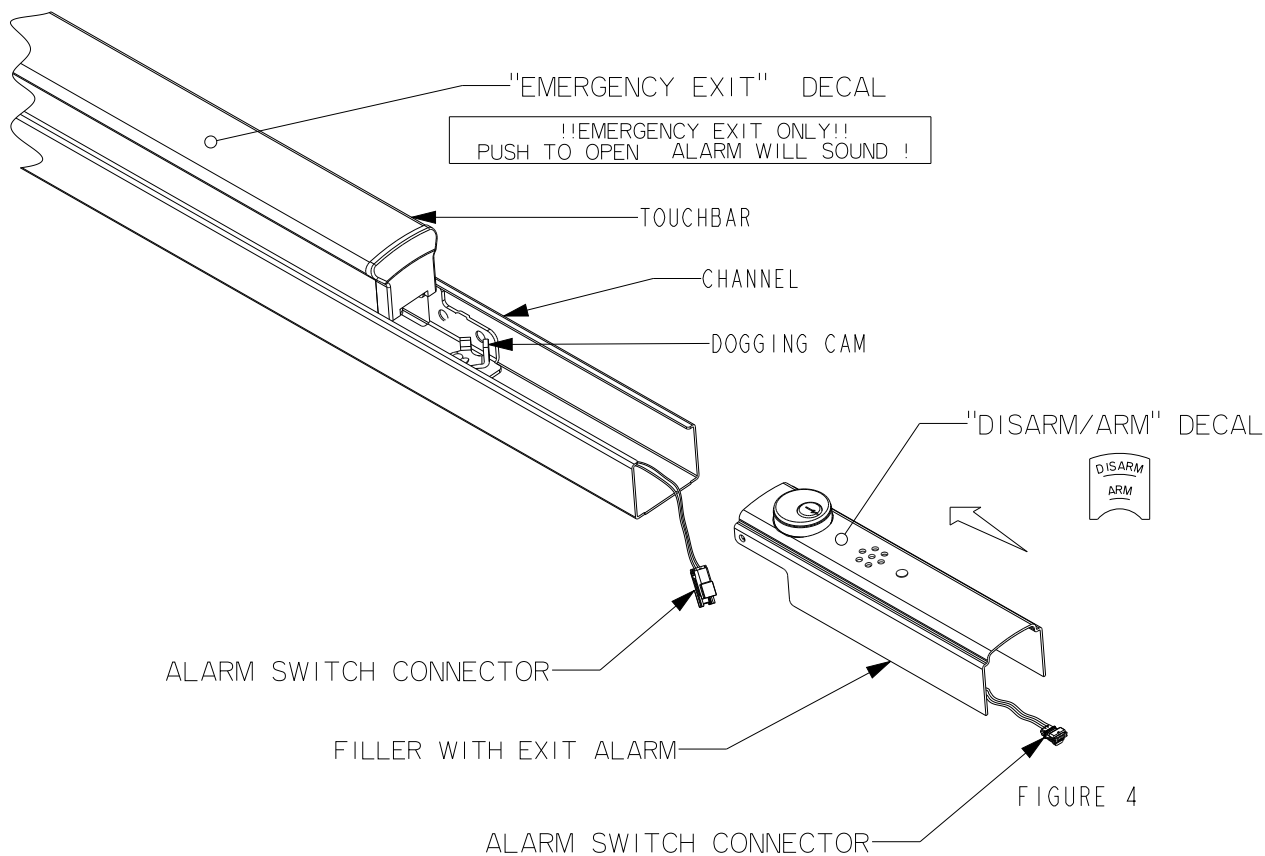
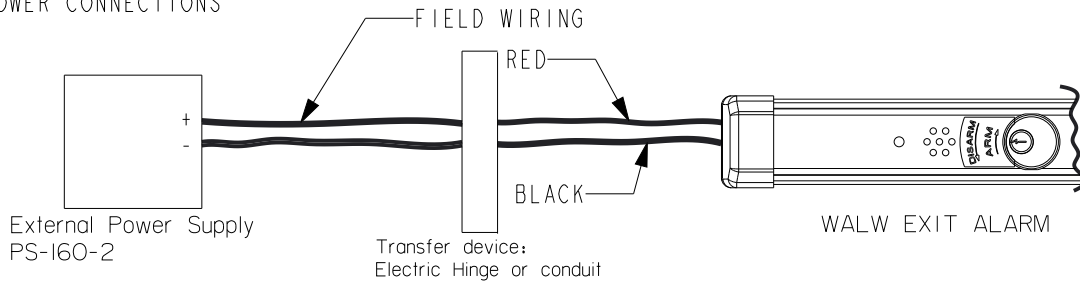


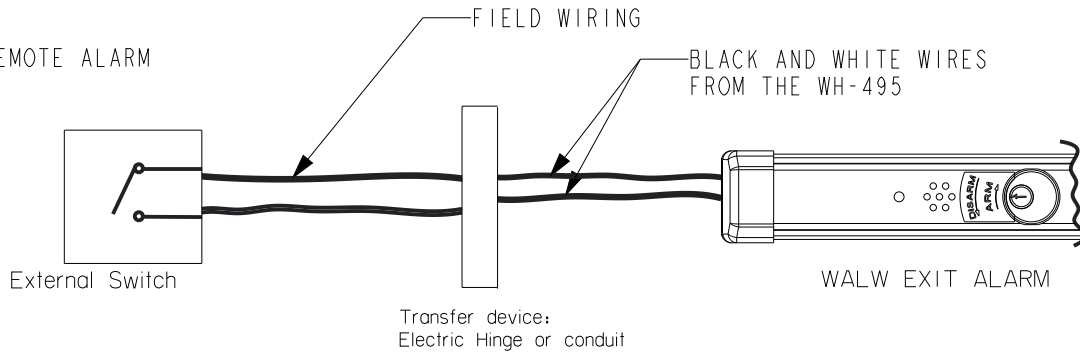
FIGURE 4

POWER CONNECTIONS



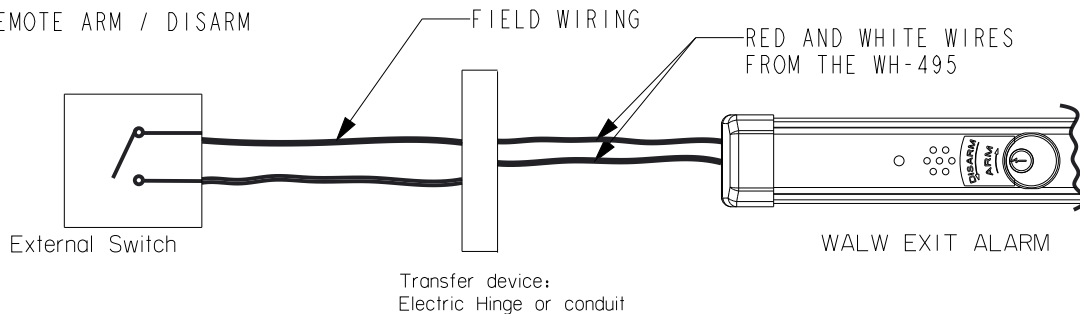
- Power supply should be 24 vdc regulated and filtered- Precision Hardware PS-160-2
- The positive should be connected to the Red wire and the negative to the Black wire
- Wire Run should be as short as possible and free from major electrical noise sources

REMOTE ALARM



- Plug in the optional WH-495 wire harness, see figure 1, page 2
- Connect the Black and Red wires from the WH-495 wire harness to a Normally Open Switch
- Wire Run should be a free from major electrical noise sources

REMOTE ARM / DISARM



- Plug in the optional WH-495 wire harness, see figure 1, page 2
- Connect the Black and Yellow wires from the WH-495 wire harness to a Normally Open Switch
- Wire Run should be a free from major electrical noise sources