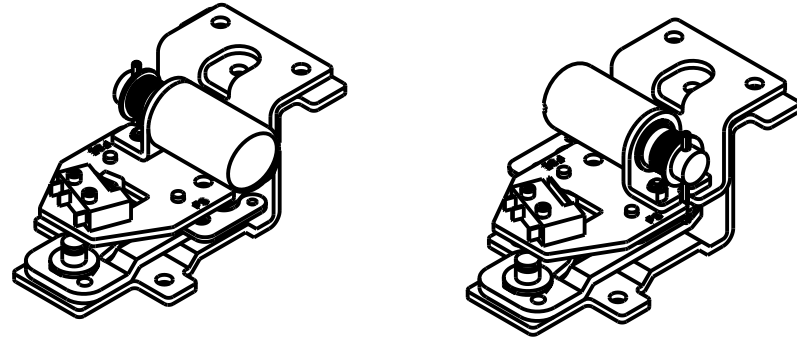


INSTALLATION INSTRUCTIONS

ELECTRIC LOCK/UNLOCK E-2103K CONVERSION KIT



FAIL SECURE
(POWER OFF = TRIM LOCKED)

FAIL SAFE
(POWER OFF = TRIM UNLOCKED)

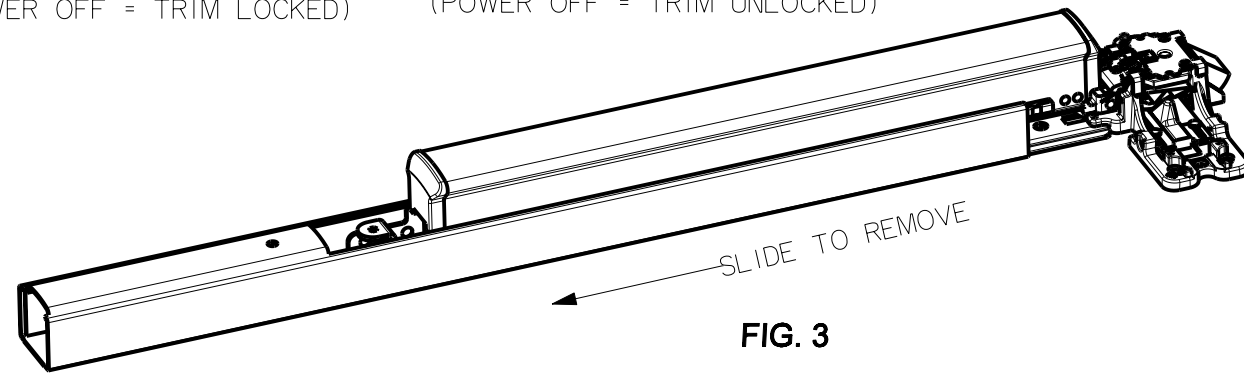


FIG. 3

DISASSEMBLE:

- 1 - Remove the 2 channel screws (Fig. 1) Loosen set screw (Fig. 2) and slide device channel away from chassis (Fig.3)
- 2 - Remove the 2 Top plate screws shown and attach the Trim Locking Assembly with 2 screws (Fig.4)
- 3 - Attach the E-Locking Assembly with (2) 8-32 x 1/2" screws. (Fig. 5)
- 4 - Carefully route the wires through the Chassis, into the wire run slots and down the Subplate. Secure with tape. (Fig. 6)
- 5 - Slide device channel back to the chassis and secure with 2 screws. Snug the set screw and slide in the hinge filler into place.

OPERATION:

Applying 24 VDC across the green wires will cause the Locking Arm to move, a switch closure should appear across the blue and green wires. Refer to drawing #01853-II-000 for electrical information.

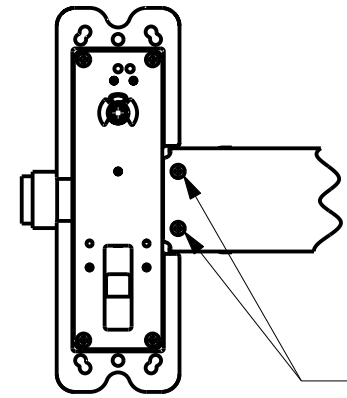
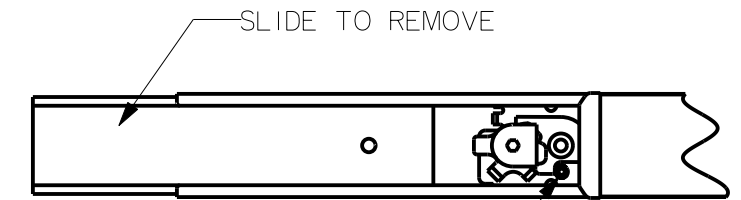


FIG. 1



SLIDE HINGE FILLER OUT
TO LOOSEN SET SCREW

FIG. 2

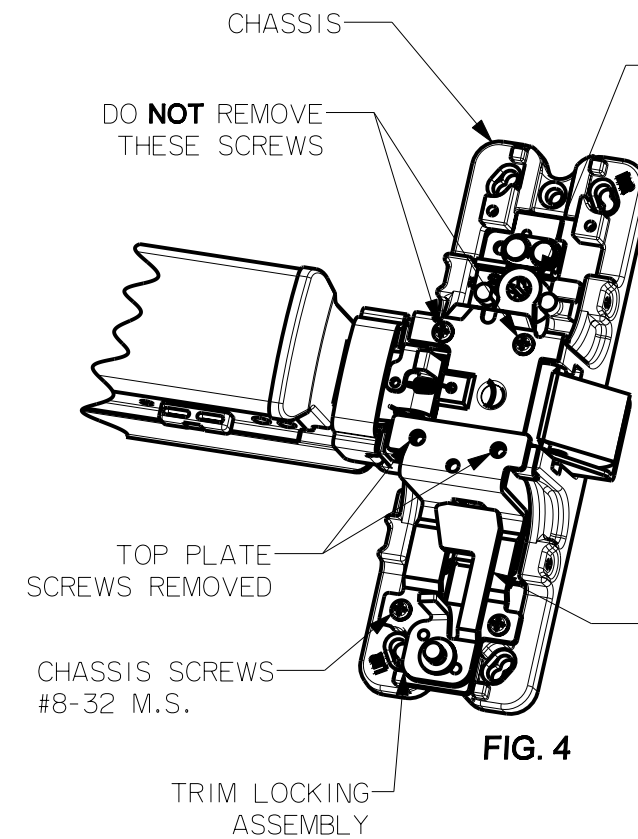


FIG. 4

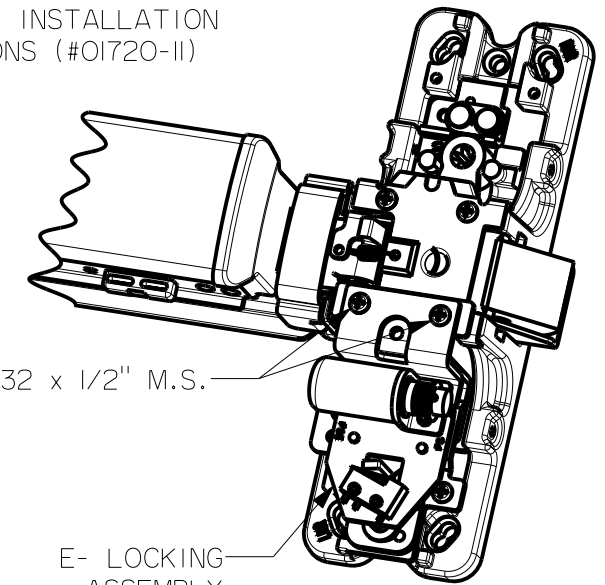


FIG. 5

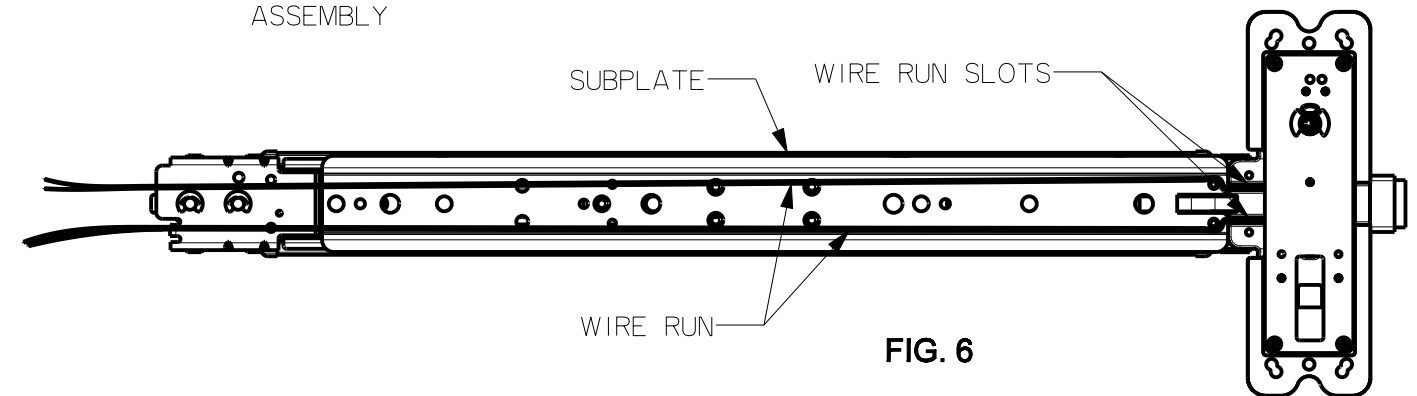


FIG. 6

STANLEY

phi

DRWG 01850-11-000 DATE 6/10/03 REVISION C

Precision Hardware
a Division of Stanley Security Solutions, Inc.
www.stanleysecuritysolutions.com