

**ELECTRIC DEVICES**



**E2103, E2203, E2703 and E2803 Electric Device**

Available for 2100, 2200, 2700 and 2800 Series Devices. The Electric Device controls entry by remote locking or unlocking of the outside trim. In addition to a 24 VDC solenoid, the exit device is also equipped with a SPDT - single pole double throw switch. The switch monitors the outside trim (locked or unlocked).

The device is furnished standard as Fail Secure (FSE). When power is off the trim is locked. Power is applied to unlock the trim. May be field converted to the Fail Safe (FS) mode. (FS) - power is applied to lock the trim. Specify (FS) or (FSE) mode when ordering. Specify outside Trim with "08" function. The outside key cylinder retracts the latchbolt for mechanical override. If outside cylinder (mechanical override) is not required, specify outside trim with "14" function.

**E2103K Electric Rim Device Kit**

To convert 2103, FL2103 devices to E2103, FLE2103 devices in the field. The Kit includes Trim locking assembly and Electric "E" locking assembly.

**Note:** The exit device can be used as a conduit for wiring to the hinge side of the door.

**Electrical Ratings**

Switch rated to 2 Amps at 24VDC SPDT  
Solenoid current draw: 0.3 Amps.

**To Order:**

Device: specify prefix "E" (e.g. E2103 FSE 4908A)  
Rim Device Kit: specify Kit No. (e.g. E2103K FSE)

**Note:** "E" locked/unlocked requires "08" or "14" function for outside lever trim.



**E2303 Electric Mortise Device**

The Electric Mortise Device controls entry by remote locking or unlocking of the outside trim. In addition to a 24 VDC solenoid, the mortise lock is also equipped with a SPDT - single pole double throw switch. The switch monitors the outside trim (locked or unlocked).

The device is furnished standard as Fail Secure (FSE). When power is off the trim is locked. Power is applied to unlock the trim. May be field converted to the Fail Safe (FS) mode. (FS) - power is applied to lock the trim. Specify (FS) or (FSE) mode when ordering. Specify outside Trim with "08" function. The outside key cylinder retracts the latchbolt for mechanical override. If outside cylinder (mechanical override) is not required, specify outside trim with "14" function.

**Field Conversion**

To convert 2303, FL2303 devices to E2303, FLE2303 devices in the field a Electric Mortise Lock is required. Specify EM303, EM303F, LSEM303 or LSEM303F (see below for Electric Mortise Locks).

**Electrical Ratings**

Switch rated to 2 Amps at 24VDC SPDT  
Solenoid current draw: 0.2 Amps.

**To Order:**

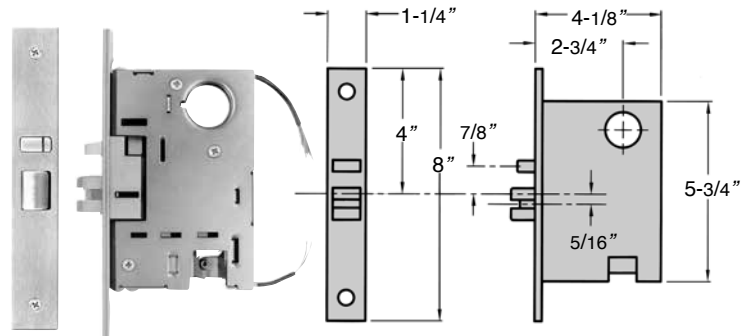
Device: specify prefix "E" (e.g. E2303 FSE M4908A)

**Note:** "E" locked/unlocked requires "08" or "14" function for outside lever trim.

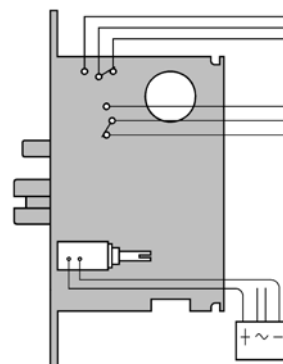
**Electric Mortise Lock - Handed**

The Mortise lock is available with the following electrical options:

MODEL NO.	DESCRIPTION
• LSM303, LSM303F	- latchbolt monitoring, "03" Function
• LSM308, LSM308F	- latchbolt and trim locked or unlocked monitoring, "08" Function
• EM303, EM303F	- electric lock/unlock with switch to monitor the outside trim (locked or unlocked)
• LSEM303, LSEM303F	- electric lock/unlock with switches to monitor the outside trim (locked or unlocked) and to monitor the latchbolt.



**Wiring Diagram**



**LATCHBOLT MONITORING**  
NORMALLY OPEN /  
NORMALLY CLOSED SWITCH

**LOCK / UNLOCK MONITORING**  
NORMALLY OPEN /  
NORMALLY CLOSED SWITCH

**Electrical Ratings**

Switch rated to 2 Amps at 24VDC SPDT  
Solenoid current draw: 0.2 Amps.

Mortise Lock is furnished standard as Fail Secure (FSE). When power is off the trim is locked. Power is applied to unlock the trim. May be field converted to the Fail Safe (FS) mode. (FS) - power is applied to lock the trim.

**To Order:** Specify EM303 x (FSE) or (FS) x handing x finish (e.g. EM303 FSE RHRB 630).