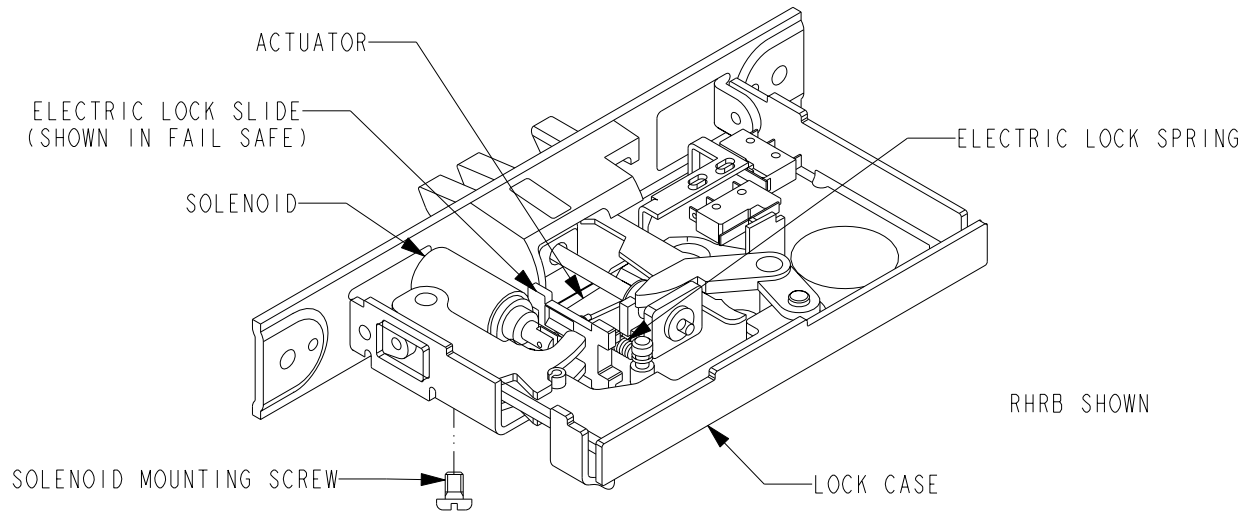


# FAIL SAFE/FAIL SECURE CONVERSION

## MORTISE LOCK

SERIES: EM303, EM303F, LSEM303, LSEM303F



MORTISE LOCK SHOWN WITH LOCK COVER REMOVED

- 1 Remove the SOLENOID MOUNTING SCREW from the bottom of the LOCK CASE.
- 2 Remove the three screws from the lock cover and then remove the lock cover. (NOT SHOWN)
- 3 Disconnect the ELECTRIC LOCK SPRING, then remove the SOLENOID and ELECTRIC LOCK SLIDE.
- 4 Rotate the ELECTRIC LOCK SLIDE to obtain the desired function. See Diagrams.  
Fail Secure: (see diagram #1) the function slots will be away from the SOLENOID.  
Fail Safe:(see diagram #2) the function slots will be toward the SOLENOID.

**STANLEY**

**phi**

DRWG 02203-11-000 DATE 6-18-04 REVISION C

**Precision Hardware**  
a Division of Stanley Security Solutions, Inc.  
[www.stanleysecuritysolutions.com](http://www.stanleysecuritysolutions.com)

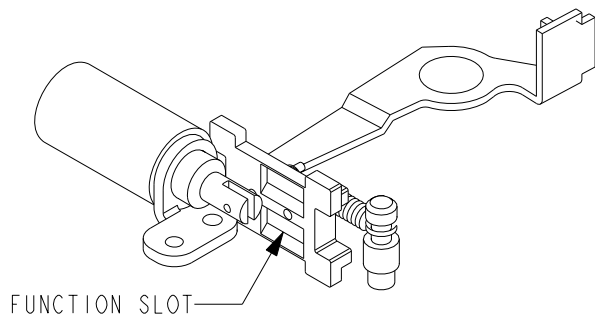


DIAGRAM #1  
FAIL SECURE

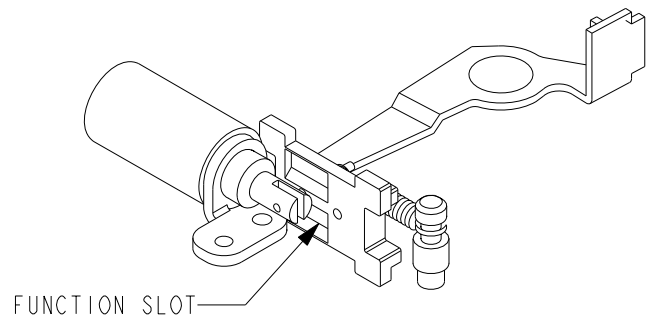


DIAGRAM #2  
FAIL SAFE

5. Reinstall the SOLENOID with its pin in the ELECTRIC LOCK SLIDE, while positioning the ACTUATOR into its notch. (See diagram #3)

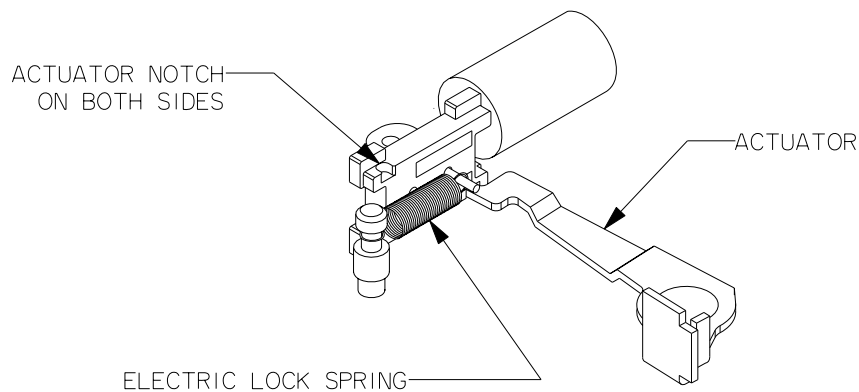


DIAGRAM #3

6. Reinstall the SOLENOID mounting screw.
7. Attach the ELECTRIC LOCK SPRING.
8. Reinstall the lock cover and secure with the three screws.