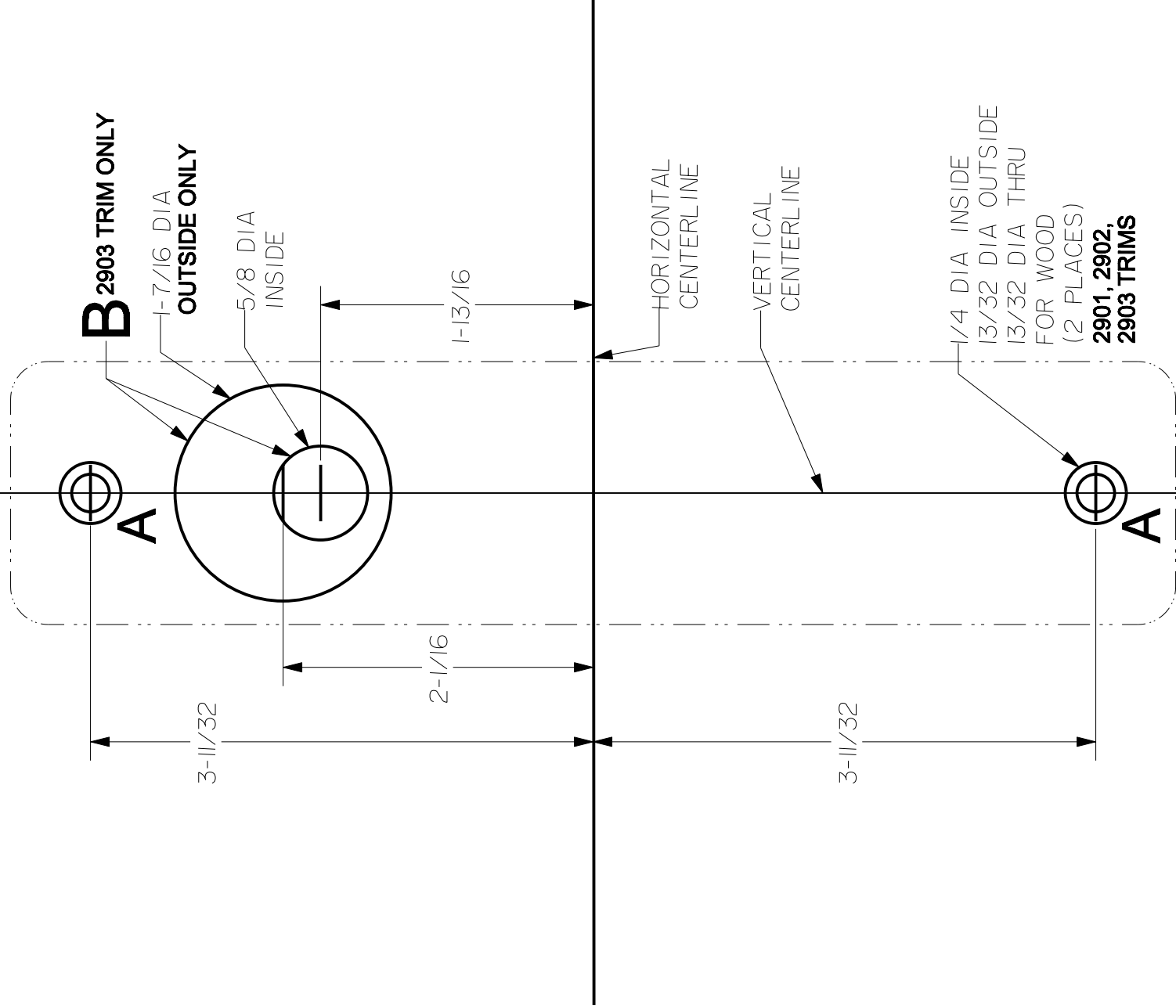


2900 SERIES TRIM

2901, 2902, 2903

FOR DEVICE SEE SPECIFIC TAPE ON TEMPLATE

NOTE:
LETTER AFTER TRIM
NUMBER INDICATES
LEVER STYLE



STANLEY

phi

DRWG 01806-11-000

DATE 4/1/03

REVISION A

Precision Hardware
a Division of Stanley Security Solutions, Inc.
www.stanleysecuritysolutions.com

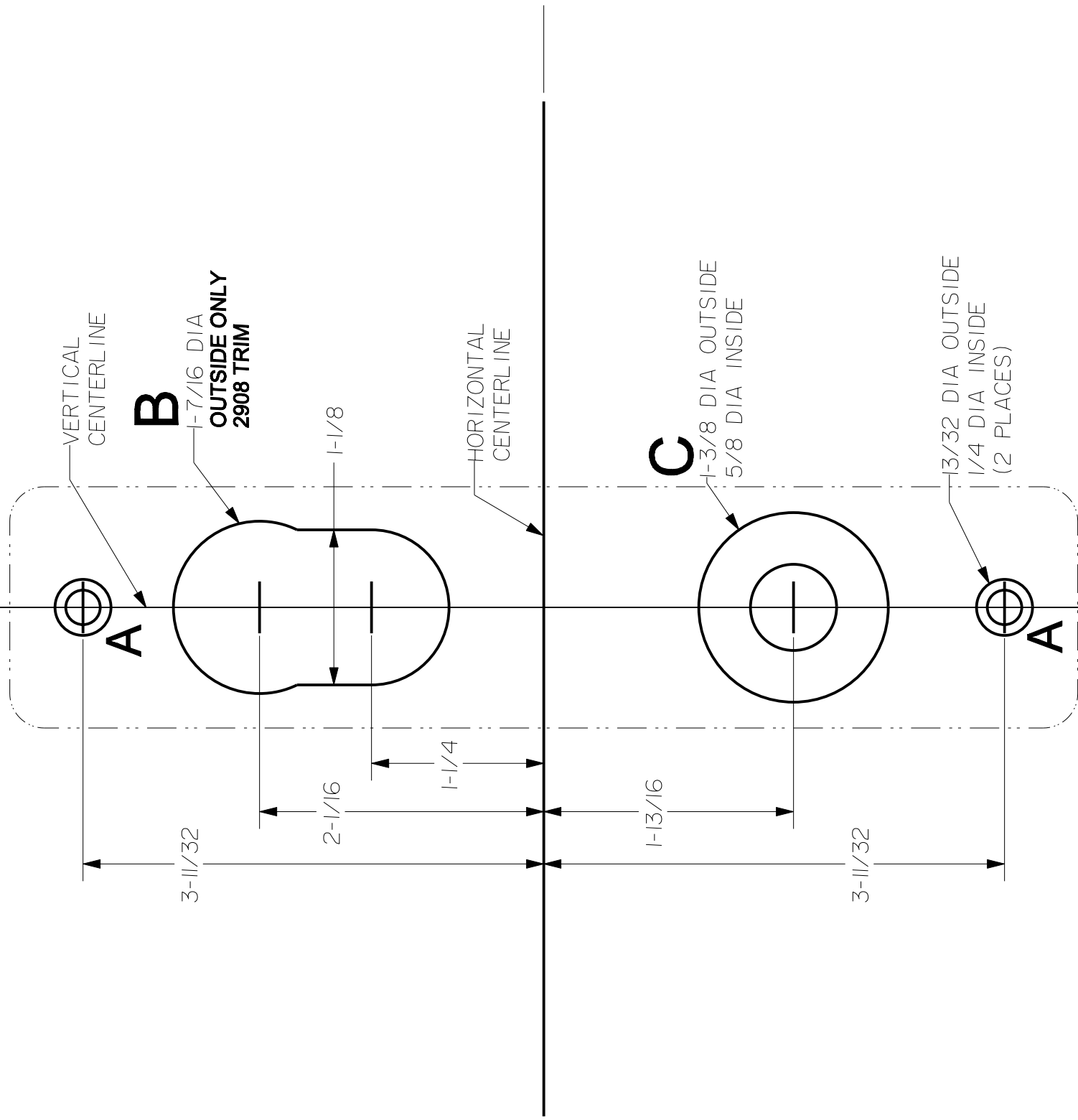
TEMPLATE MUST BE TO SCALE

2900 SERIES TRIM

2908, 2914

FOR DEVICE SEE SPECIFIC TAPE ON TEMPLATE

NOTE:
LETTER AFTER TRIM
NUMBER INDICATES
LEVER STYLE



STANLEY

DRWG
01806-11-000

DATE
4/1/03

REVISION
00

phi

Precision Hardware
a Division of Stanley Security Solutions, Inc.
www.stanleysecuritysolutions.com

TEMPLATE MUST BE TO SCALE