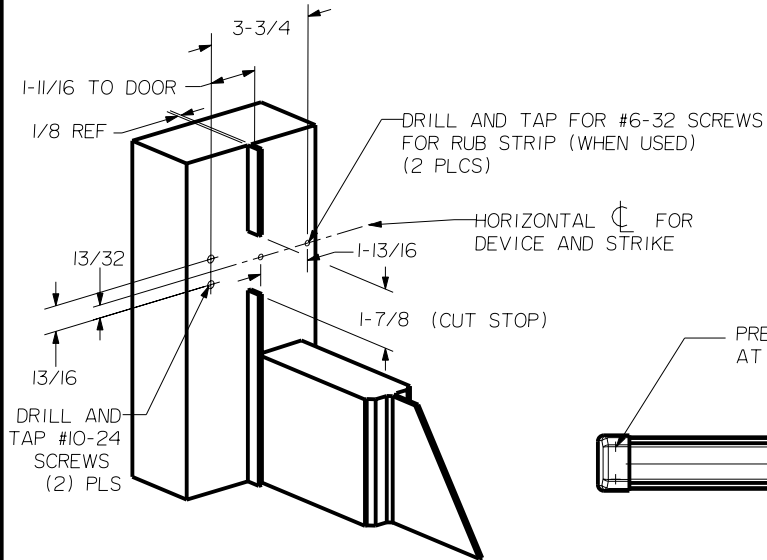


**SEX BOLT MACHINING**

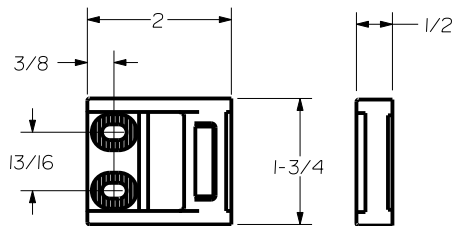
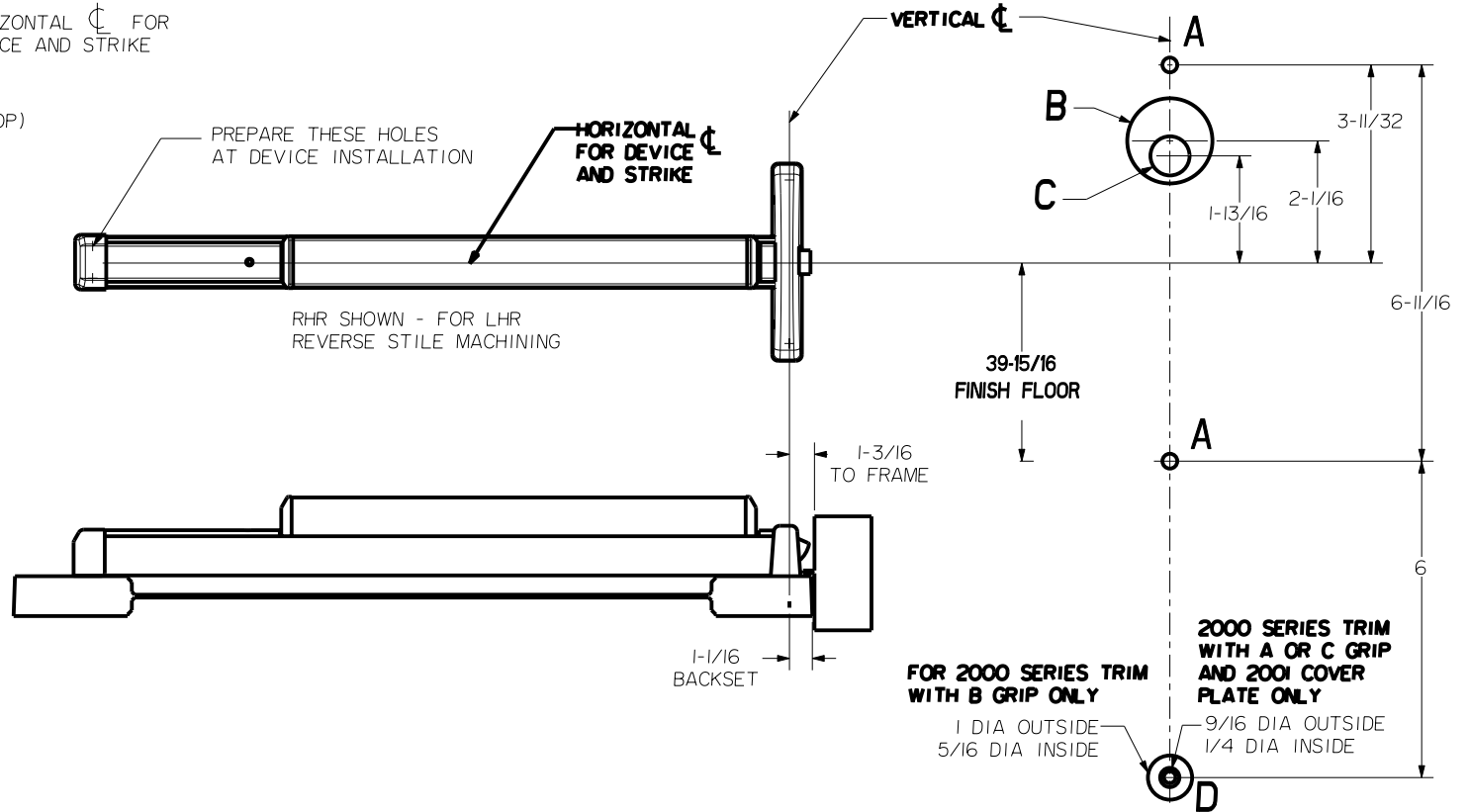
DRILL 1/4 DIA. INSIDE  
DRILL 3/8 DIA. OUTSIDE



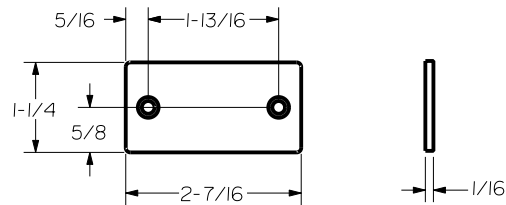
NOTE: "LETTER" AT END OF TRIM MODEL NO. DESIGNATES GRIP STYLE. EXCEPT AS NOTED, GRIP STYLE HAS NO EFFECT ON STILE MACHINING.

| HOLE (2) PLS                        | A | DEVICES     | TRIMS | HOLE B            | HOLE C          |
|-------------------------------------|---|-------------|-------|-------------------|-----------------|
| 1/4 DIA INSIDE<br>13/32 DIA OUTSIDE |   | <b>2401</b> | 2001  | NO                | NO              |
|                                     |   | <b>2402</b> | 2002  |                   |                 |
|                                     |   | <b>2403</b> | 2003  | 1-3/8 DIA OUTSIDE | 5/8 DIA. INSIDE |

**LOCK STILE MACHINING**




ROLLER STRIKE S988 STANDARD



RUB STRIP S454 (STANDARD)

| ALUMINUM DOOR AND FRAME WITH BLADE OR APPLIED STOP |             |                |
|--|-------------|----------------|
| MIN. STILE   | DEVICE SIZE | DOOR WIDTH     |
| 1-3/4"   | 3'-0"       | 2'-6" TO 3'-0" |
|  | 4'-0"       | 3'-1" TO 4'-0" |

|  <b>Precision Hardware</b><br>a Division of Stanley Security Solutions, Inc.<br><a href="http://www.stanleysecuritysolutions.com">www.stanleysecuritysolutions.com</a> |               |              |     |
|---|---------------|--------------|-----|
| DEVICE SERIES   |               | TRIM SERIES  |     |
| 2400  |               | 2000         |     |
| STRIKE NO.  | RELEASED DATE | TEMPLATE NO. | REV |
| S988  | 5/01/05       | AL-2400C     | C   |