

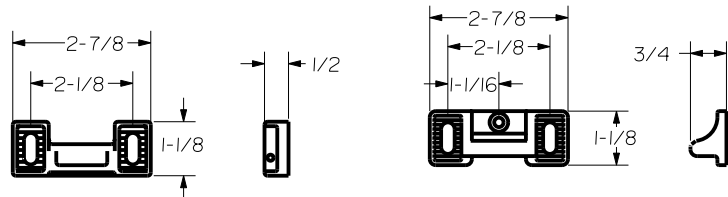
**REINFORCEMENT REQUIREMENTS**  
 PROVIDE ADEQUATE REINFORCEMENT TO METAL COVERED COMPOSITE AND HOLLOW METAL DOORS FOR THE DRILLING AND TAPPING FOR THE MACHINE SCREWS.

**SEX NUTS AND BOLTS**  
 SEX BOLTS ARE REQUIRED FOR PLASTIC, WOOD, METAL COVERED COMPOSITE AND HOLLOW METAL DOORS WITHOUT REINFORCEMENT

**SEX BOLT MACHINING**  
 DRILL 1/4 DIA. INSIDE  
 DRILL 3/8 DIA. OUTSIDE

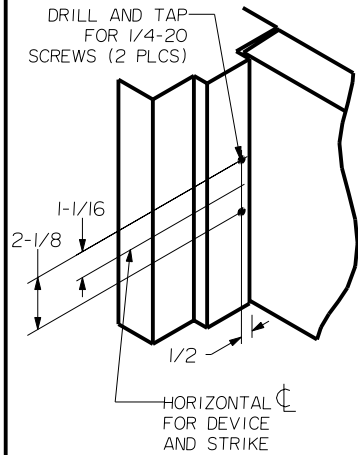
NOTE:  
 "LETTER" AT END OF TRIM MODEL NO. DESIGNATES GRIP STYLE, EXCEPT AS NOTED, GRIP STYLE HAS NO EFFECT ON STILE MACHINING.

HOLE (2) PLS	A	DEVICES	TRIMS	HOLE B	HOLE C
1/4 DIA INSIDE 13/32 DIA OUTSIDE		240I,FL240I	2001	NO	NO
		2402,FL2402	2002		
		2403,FL2403	2003	1-3/8 DIA OUTSIDE	5/8 DIA. INSIDE

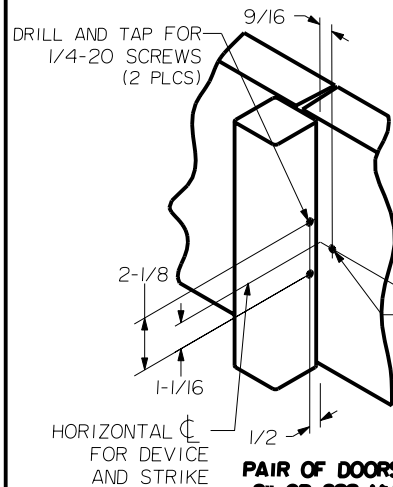


ROLLER STRIKE S458 (STANDARD)

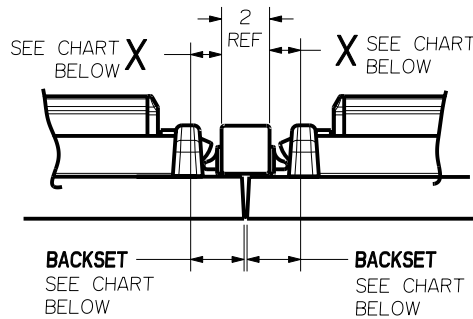
STRIKE S300 (OPTIONAL)  
 ROLLER STRIKE S30I (OPTIONAL)



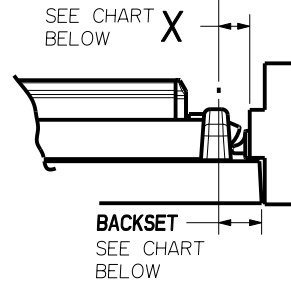
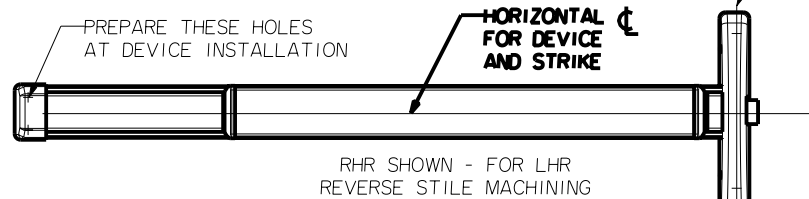
SINGLE DOOR WITH 5/8 STOP



PAIR OF DOORS WITH 811 OR 822 MULLION

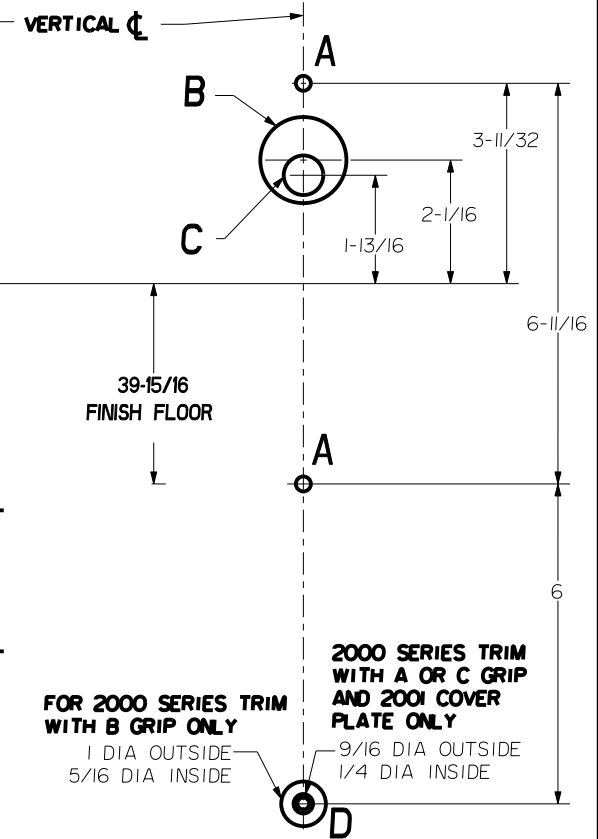


PAIR OF DOORS WITH 811 OR 822 MULLION



SINGLE DOOR WITH 5/8 STOP

**LOCK STILE MACHINING**



STRIKE	APPLICATION	BACKSET	MIN. STILE	DIM X
S300 S30I	SINGLE DOOR	1-15/16	2-7/8	1-7/16
	PAIR OF DOORS	2-3/8	3-1/4	
S458	SINGLE DOOR	1-11/16	2-5/8	1-3/16
	PAIR OF DOORS	2-1/8	3	

<b>Precision Hardware</b> a Division of Stanley Security Solutions, Inc. <a href="http://www.stanleysecuritysolutions.com">www.stanleysecuritysolutions.com</a>			
DEVICE SERIES		TRIM SERIES	
2400, FL2400		2000	
STRIKE NO.	RELEASED DATE	TEMPLATE NO.	REV
S300, S30I, S458	5/01/05	HM-2400C	C