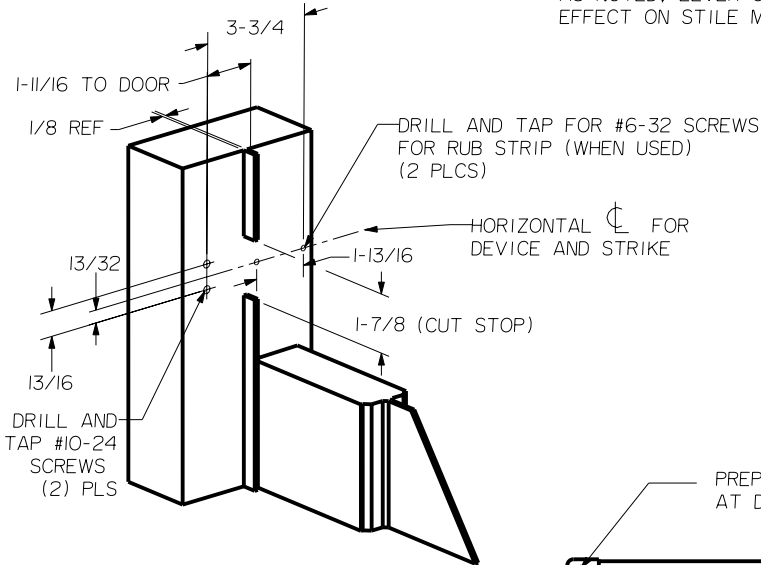


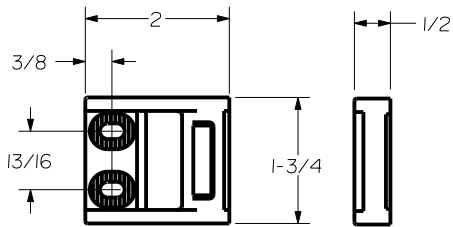
**SEX BOLT MACHINING**

DRILL 1/4 DIA. INSIDE  
DRILL 3/8 DIA. OUTSIDE

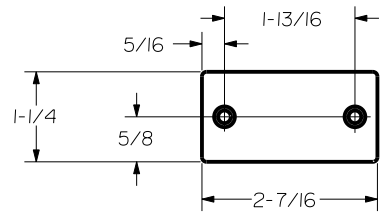
NOTE: "LETTER" AT END OF TRIM MODEL NO. DESIGNATES LEVER OR GRIP STYLE. EXCEPT AS NOTED, LEVER OR GRIP STYLE HAS NO EFFECT ON STILE MACHINING.



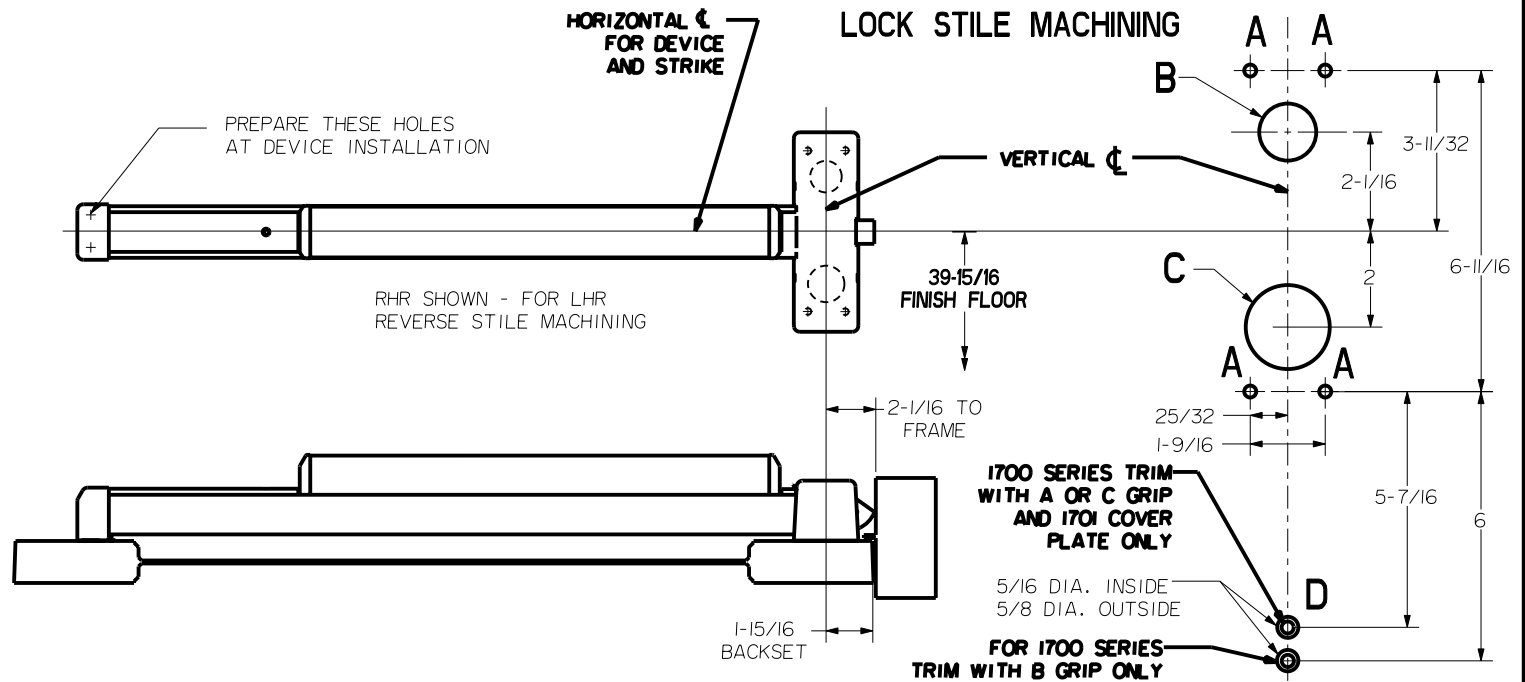
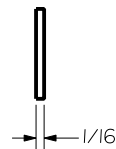
DRILL AND TAP #10-24 SCREWS (2) PLS



ROLLER STRIKE S988 (STANDARD)



RUB STRIP S454 (STANDARD)



HOLE (4) PLS <b>A</b>	DEVICES	TRIMS	HOLE <b>B</b>	HOLE <b>C</b>
#10-24 TAP INSIDE ONLY	<b>2101</b>	EXIT ONLY	NO	NO
	<b>2103</b>	CYL ONLY	1-3/8 DIA INSIDE 1-3/16 DIA OUTSIDE	
1/4 DIA INSIDE 3/8 DIA OUTSIDE	<b>2101</b>	1701, 4901	NO	1-3/4 DIA THRU DOOR
	<b>2102</b>	1702, 4902		
	<b>2103</b>	1703, 4903		
	<b>E2103</b>	4908, V4908		
	<b>2105</b>	1705		
	<b>2108</b>	4908, V4908		
	<b>2110</b>			
	<b>2114</b>	4914		
	<b>2115</b>	1715	NO	

ALUMINUM DOOR AND FRAME WITH BLADE OR APPLIED STOP		
MIN. STILES	DEVICE SIZE	DOOR WIDTH
3-1/2"	3'-0"	2'-6" TO 2'-11"
	4'-0"	3'-0" TO 3'-11"
4-1/4" OR FLUSH DOOR	3'-0"	2'-7" TO 3'-0"
	4'-0"	3'-1" TO 4'-0"

STANLEY **phi** Precision Hardware  
a Division of Stanley Security Solutions, Inc.  
www.stanleysecuritysolutions.com

DEVICE SERIES		TRIM SERIES	
2100		EXIT ONLY, CYL ONLY, 1700, 4900	
STRIKE NO.	RELEASED DATE	TEMPLATE NO.	REV
S988	5/1/05	AL-2100A	C