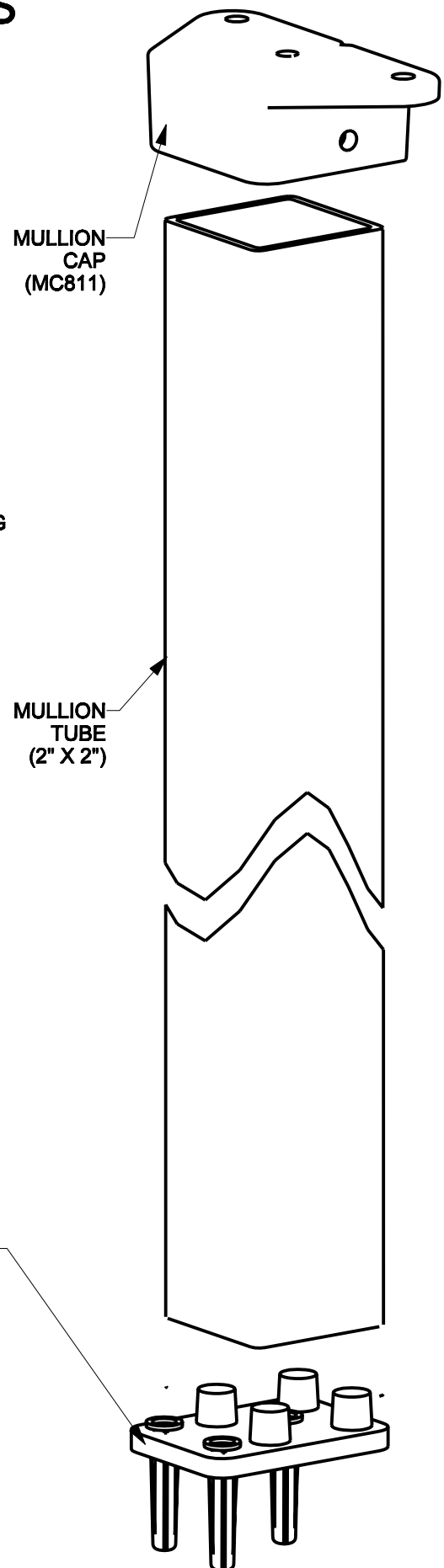


INSTALLATION INSTRUCTIONS

REMOVABLE MULLION: 811

1. Center **BOTTOM FITTING** between doors and flush with closed doors (FIG 1A) . Fasten in place with anchors and screws provided (FIG 1B).
2. Center **MULLION CAP** between door and flush with closed doors (FIG 2A). Mark centers for 3-mounting holes on frame, then drill and tap for 1/4-20 M.S. (FIG 2A).
3. Determine **MULLION LENGTH** (FIG 1B and 2B)
Cut top of **MULLION** to determined length.
4. Place **MULLION CAP** on top of **MULLION**. Place **MULLION** around 4 locating posts on **BOTTOM FITTING** Make sure **MULLION** is seated on **BOTTOM FITTING** (FIG 1B). With **MULLION** in position fasten **MULLION CAP** to the frame (FIG 2B).
5. Install 2 1/4-20 MS in **MULLION CAP** to secure **MULLION**.



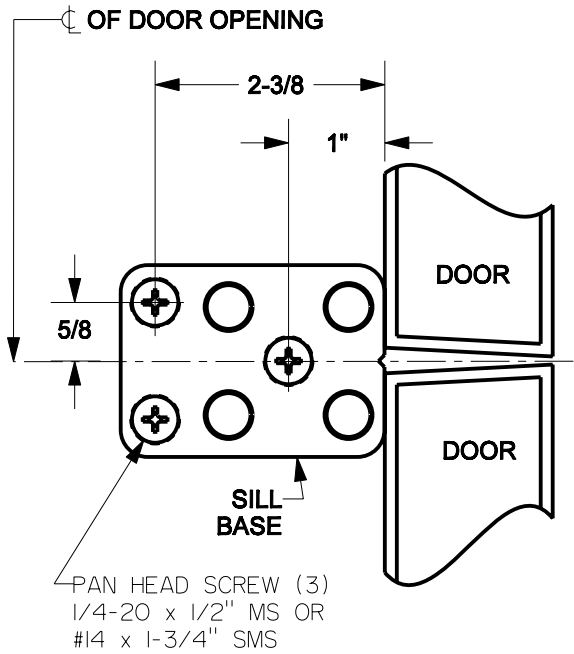


FIG 1A

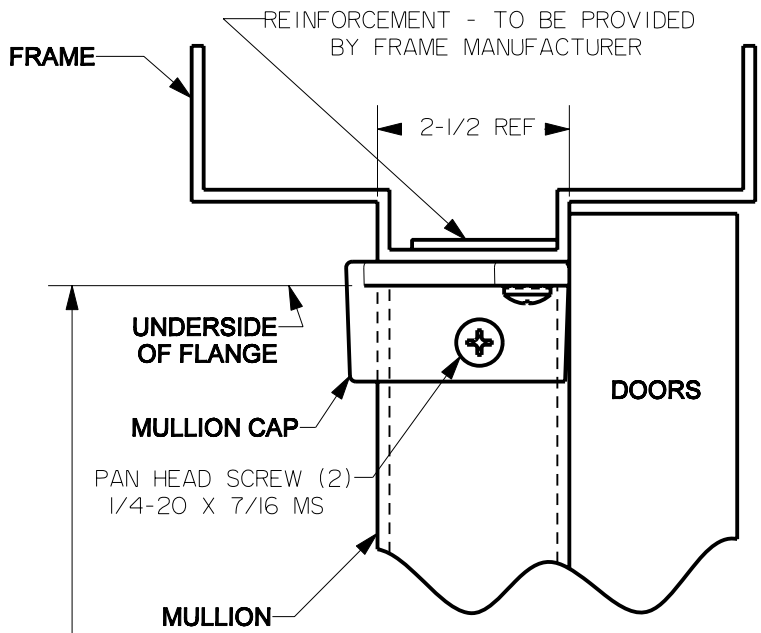
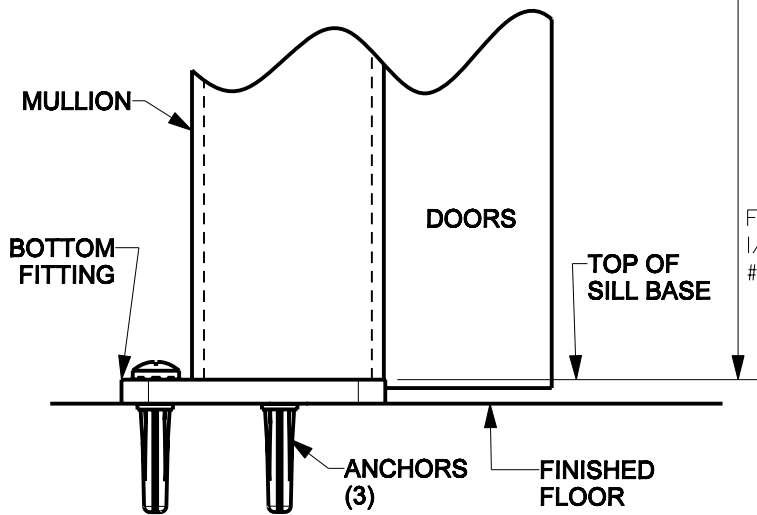


FIG 2B

MULLION LENGTH
CUT TUBE 1/16" LESS THAN
THIS MEASUREMENT



THRESHOLD APPLICATION

When **THRESHOLD** is used
apply **BOTTOM FITTING** to finished
floor and cut **THRESHOLD**
to fit around **BOTTOM FITTING**

FIG 1B

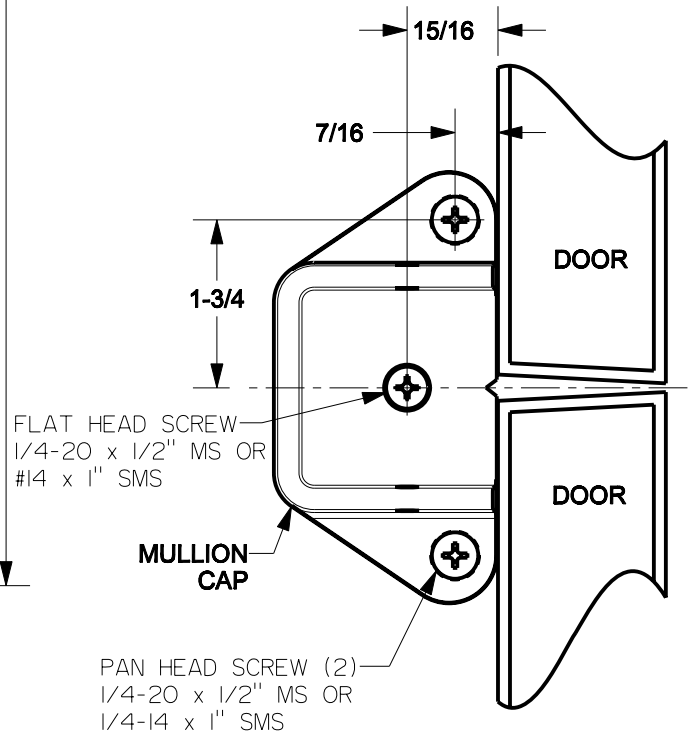


FIG 2A

STANLEY

phi

DRWG 01903-11-000 DATE 2/01/05 REVISION B

Precision Hardware
a Division of Stanley Security Solutions, Inc.
www.stanleysecuritysolutions.com